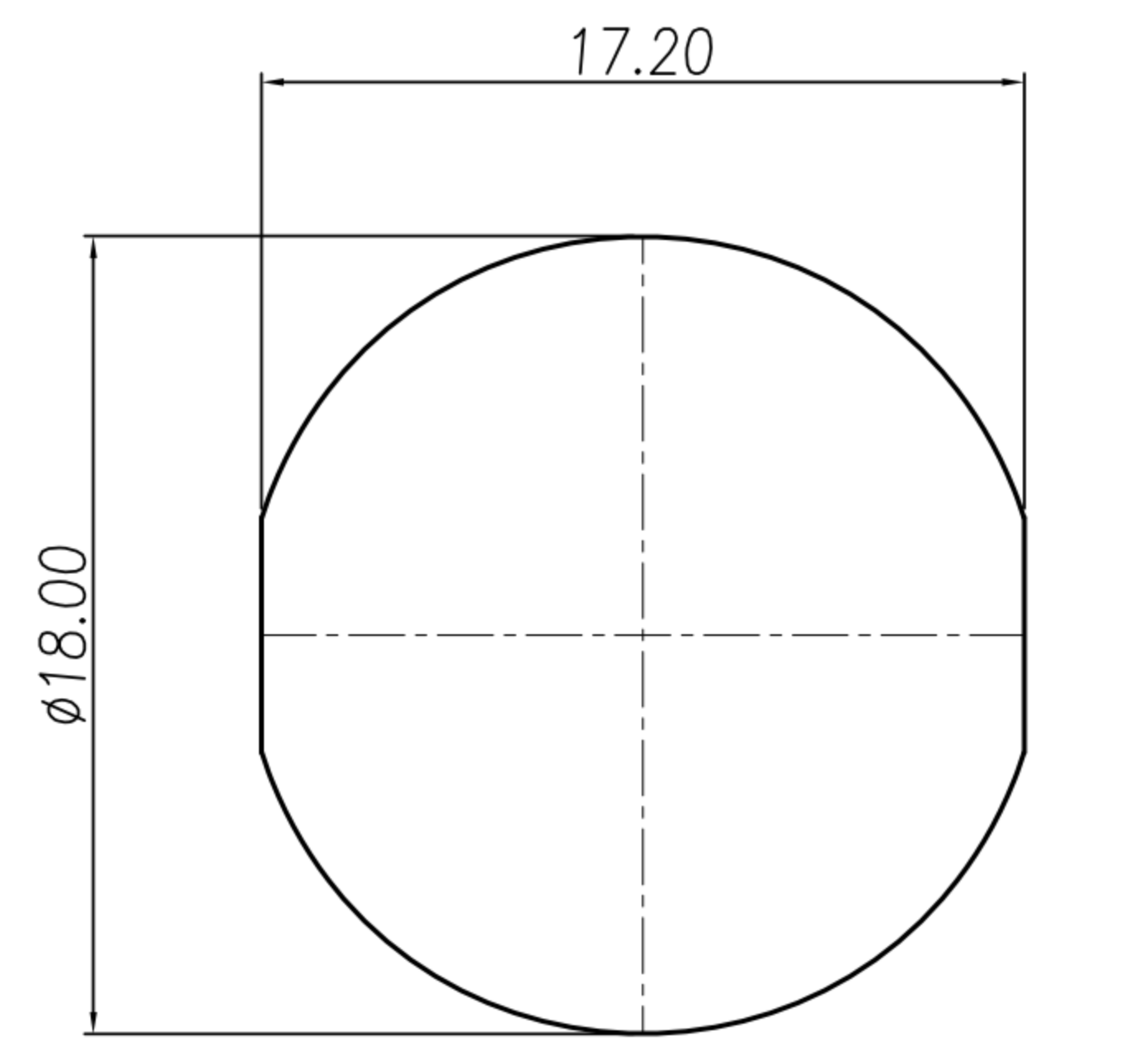
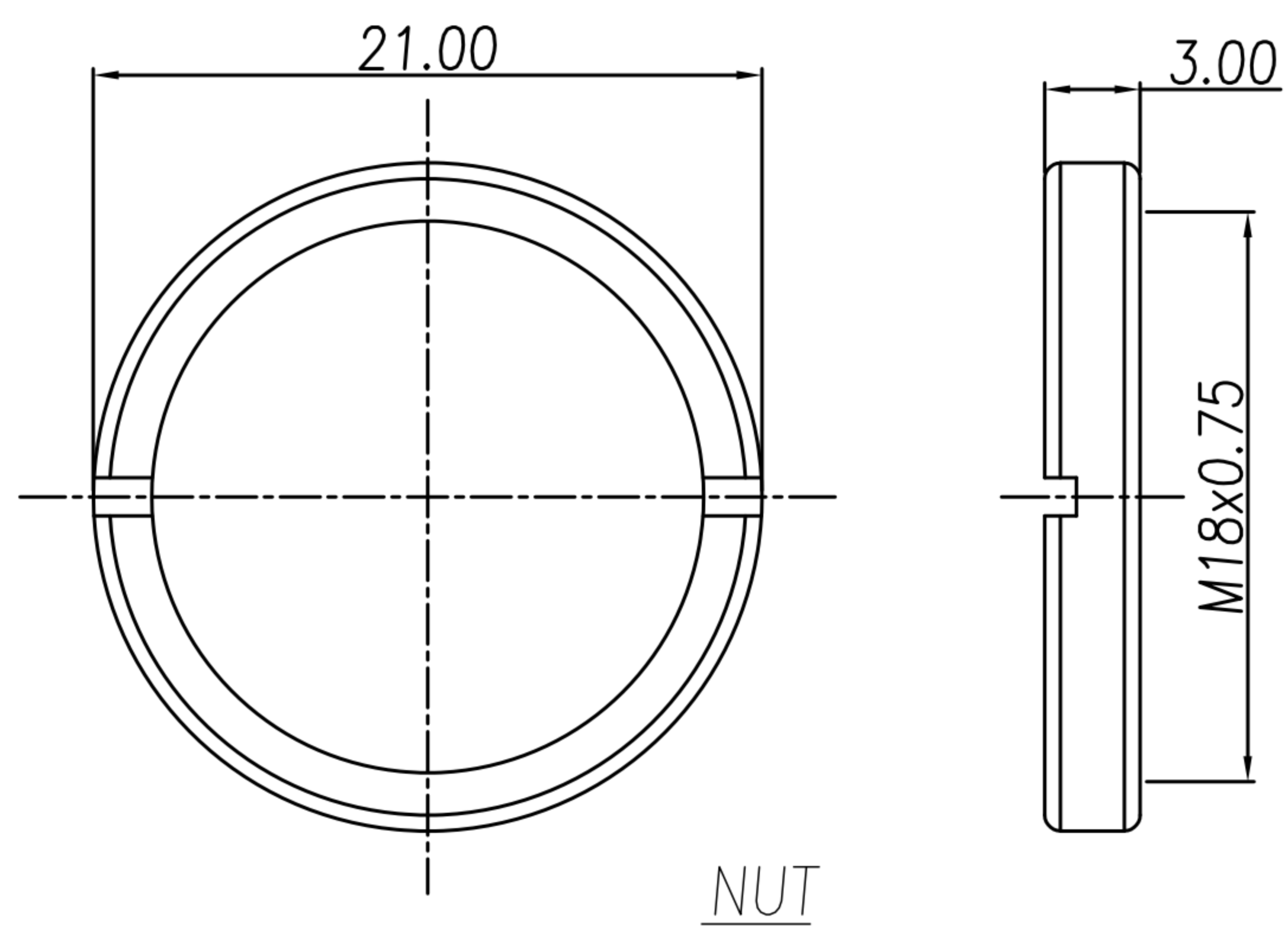


REV.	DESCRIPTION	APPROVED BY	DATE	ECN NO.
A				
B				
C				

CUSTOMER DRAWING



RECOMMEND PANEL CUT-OUT



NUT

- MATERIAL :
 - 1-1. HOUSING : PA66 ; COLOR : BLACK
 - 1-2. CONTACT : BRASS
 - 1-3. SHELL : BRASS
 - 1-4. NUT : BRASS.
- FINISH :
 - 2-1. CONTACT : GOLD FLASH PLATED
 - 2-2. SHELL : NICKEL PLATED .
 - 2-3. NUT : NICKEL PLATED .
- ELECTRICAL SPECIFICATION :
 - 3-1. Rated current : 3A
 - 3-2. Rated Voltage : 60V
- Environmental :
 - 4-1. Operation Temperature : -40℃~85℃
- Protection Degree : IP40

DRAWN	LED	APP'D	Ku Chou	UNIT	mm	TOLERANCE			TITLE	DIN 12 PIN (F) 前鎖焊線式(端子表金)			SHEET
CHK'D	Emily Suen			SCALE	1:1	.x ±0.20 .xx ±0.10 .xxx ±0.05 .xxxx ±0.03 ANGULA ±1°			PART NO.	DI-12F2-10-11	DWG NO.	QC8364	VERSION