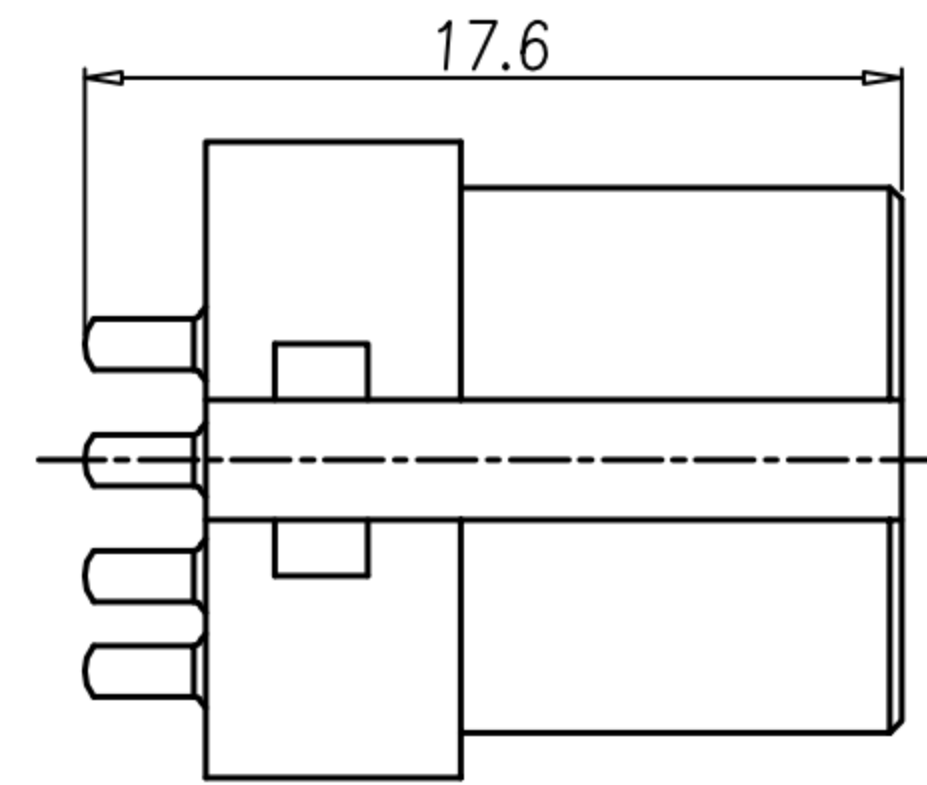
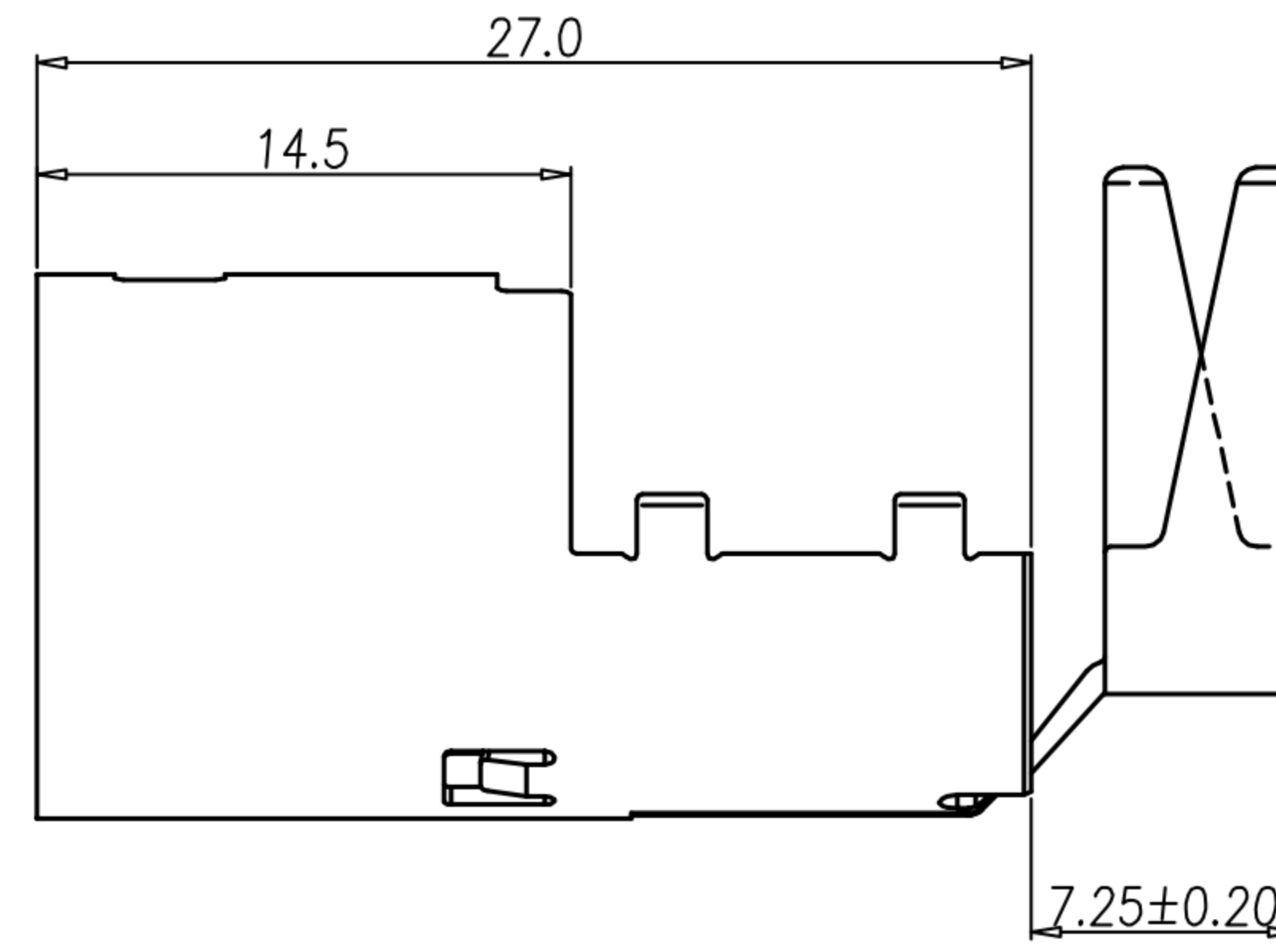
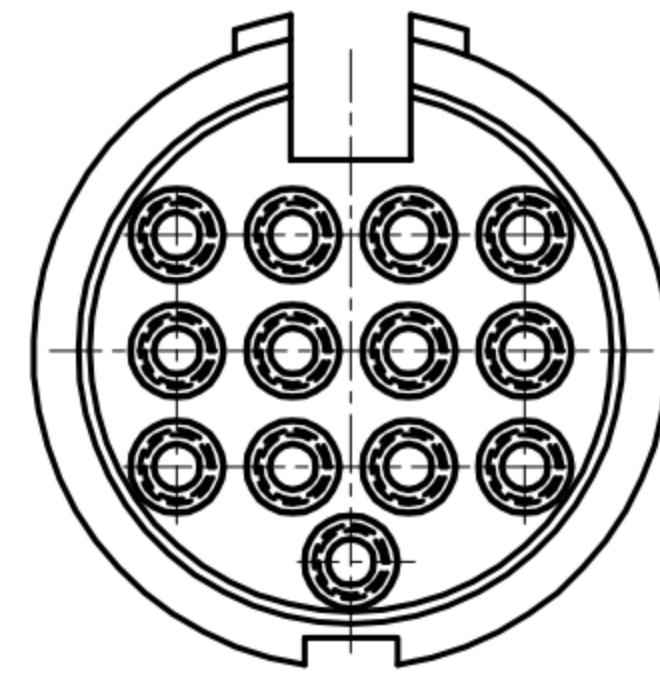


CUSTOMER DRAWING

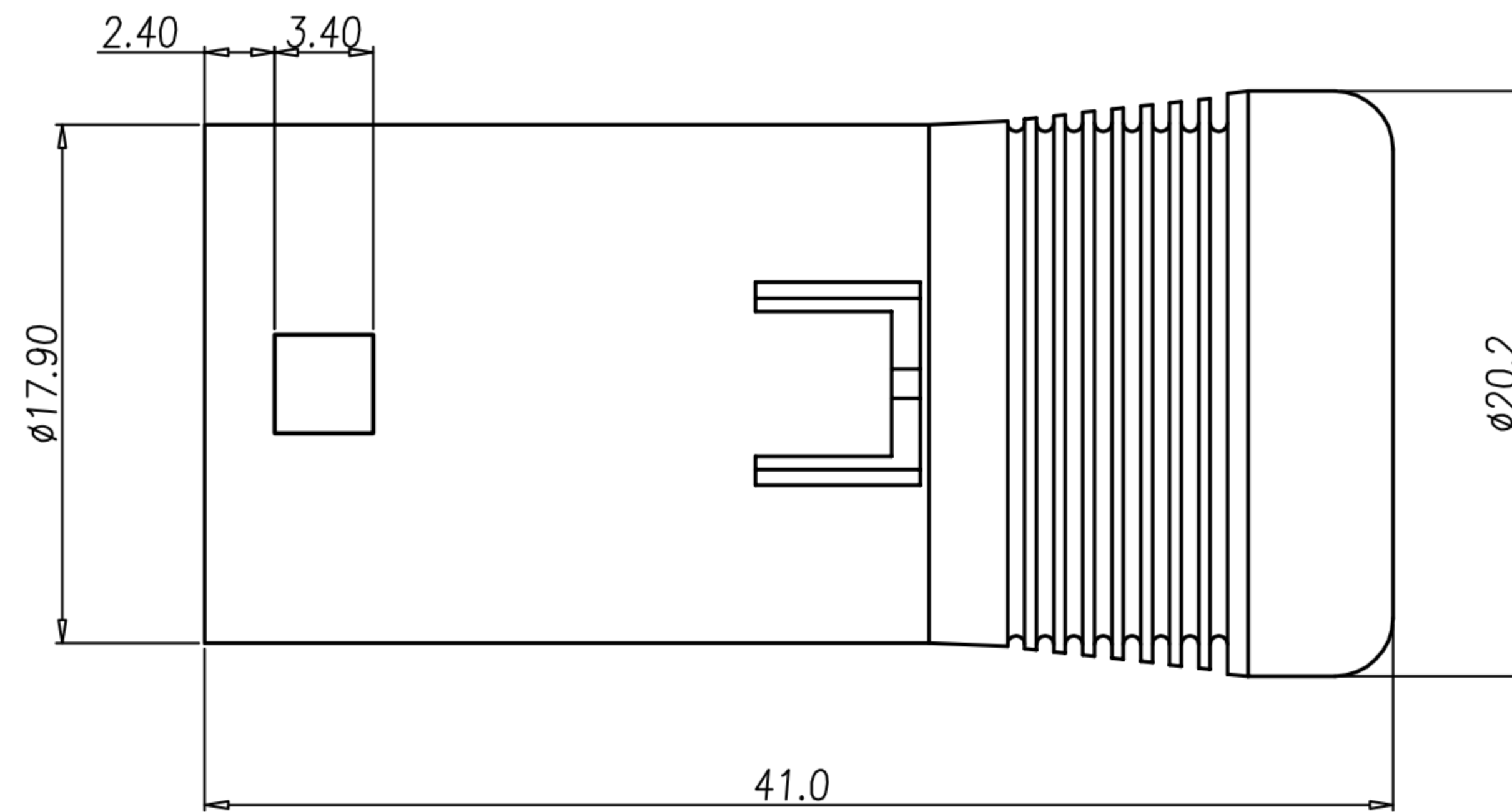
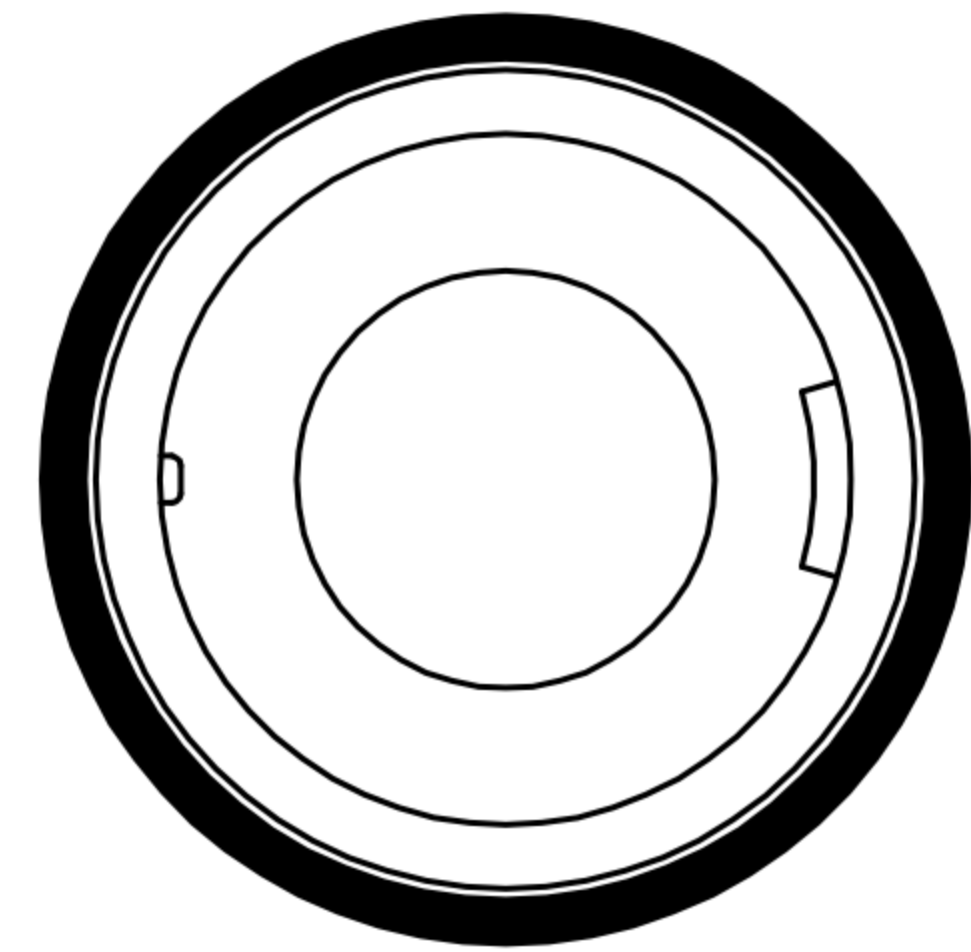
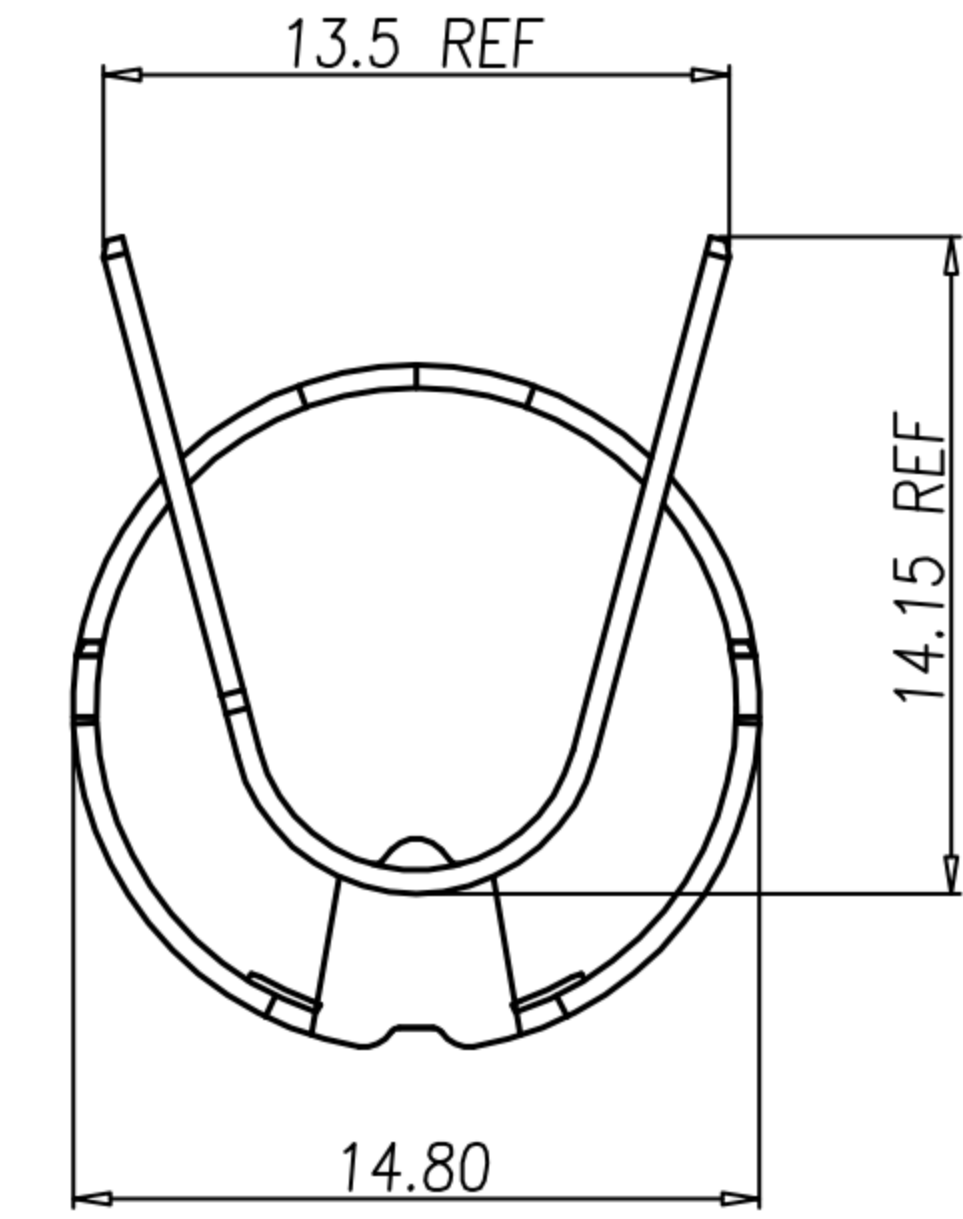
REV.	DESCRIPTION	APPROVED BY	DATE	ECN NO.
△A	RELEASE	Fido Weng	22/12/08'	
△B				
△C				
△D				



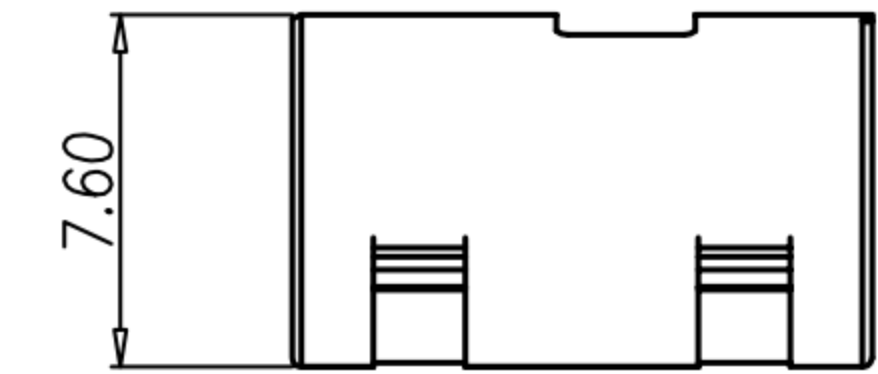
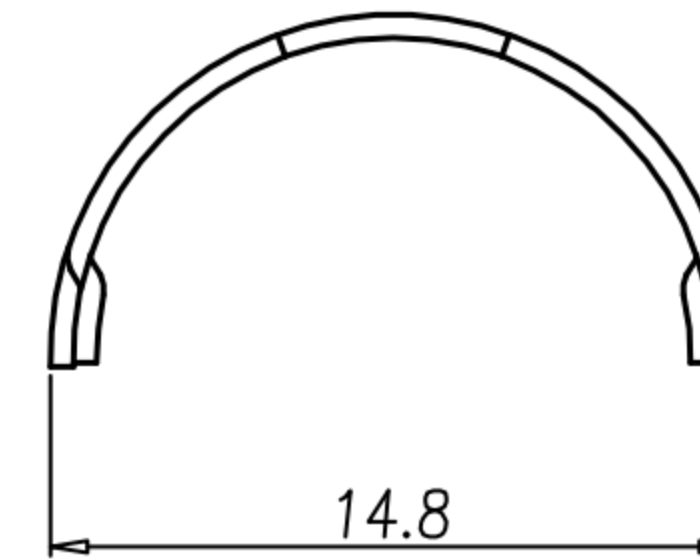
DIN (F) 插针式



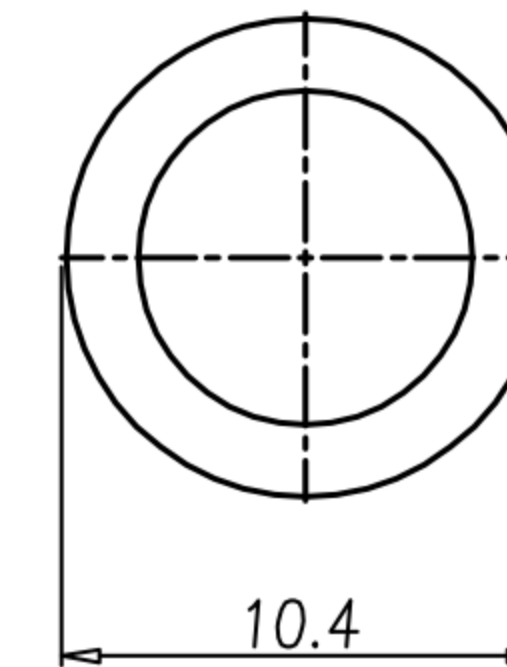
OY-DM0652



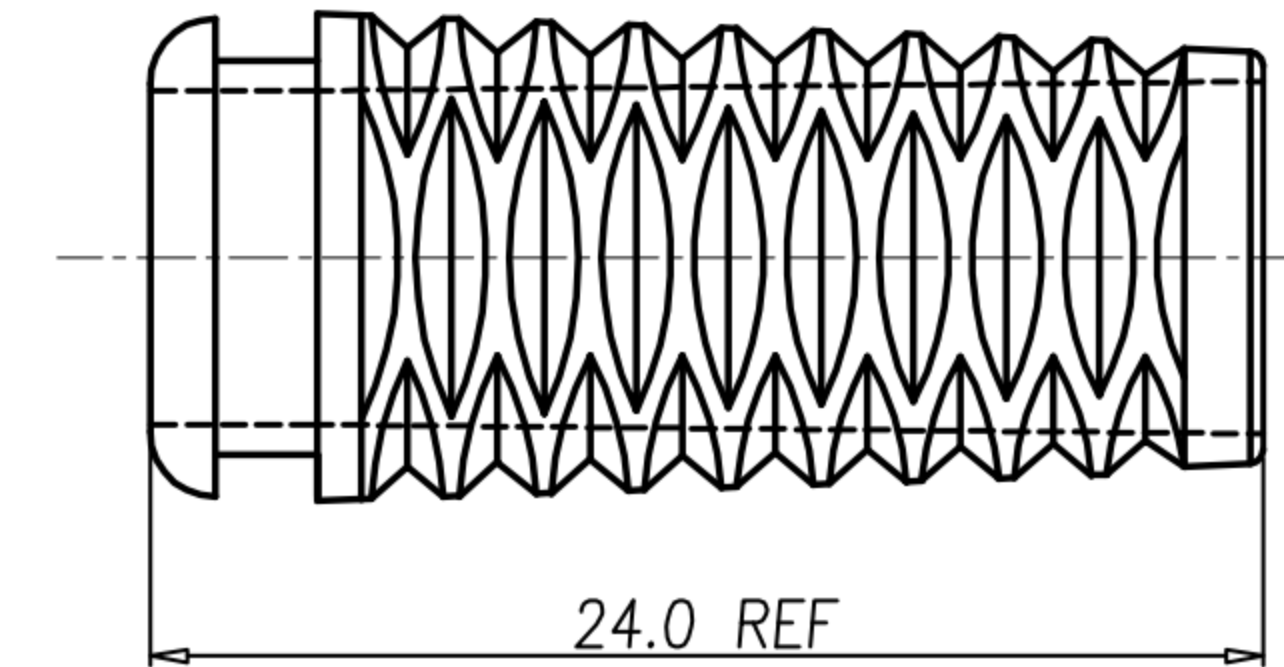
ON-DM0394



OY-DM0653



ON-DM0023

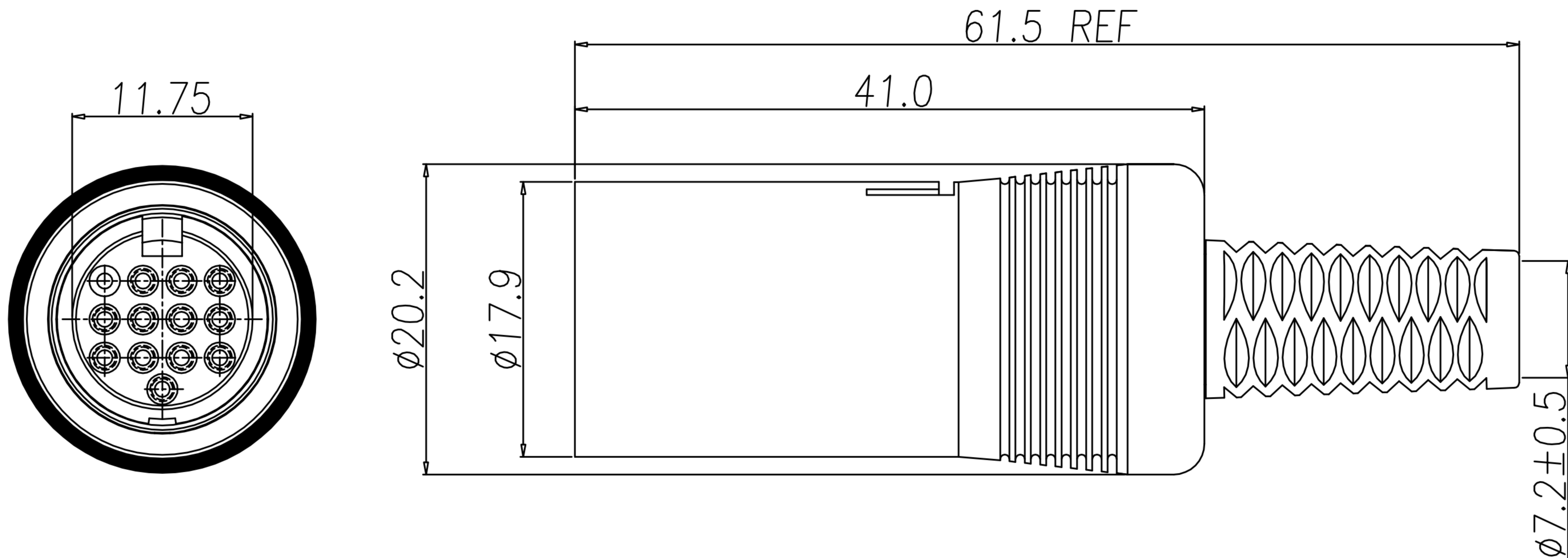


DRAWN	LED	APPVL	Ku Chou	UNIT	mm	TOLERANCE		广东科斯达电子科技有限公司 GUANG DONG KE SI DA ELECTRONIC TECHNOLOGY CO., LTD.			TITLE	DIN 13(F)Lock 插针式			SHEET	3
CHK'D	Emly Suen			SCALE	1:1	.x ±0.20 .xx ±0.10 .xxx ±0.05 .xxxx ±0.03 ANGULA ±1°		PART NO.	DI-13F2-04	DWG NO.	QC2754	VERSION	A			



CUSTOMER DRAWING

REV.	DESCRIPTION	APPROVED BY	DATE	ECN NO.
△A	RELEASE	Emily Suen	22/12/08*	
△B				
△C				



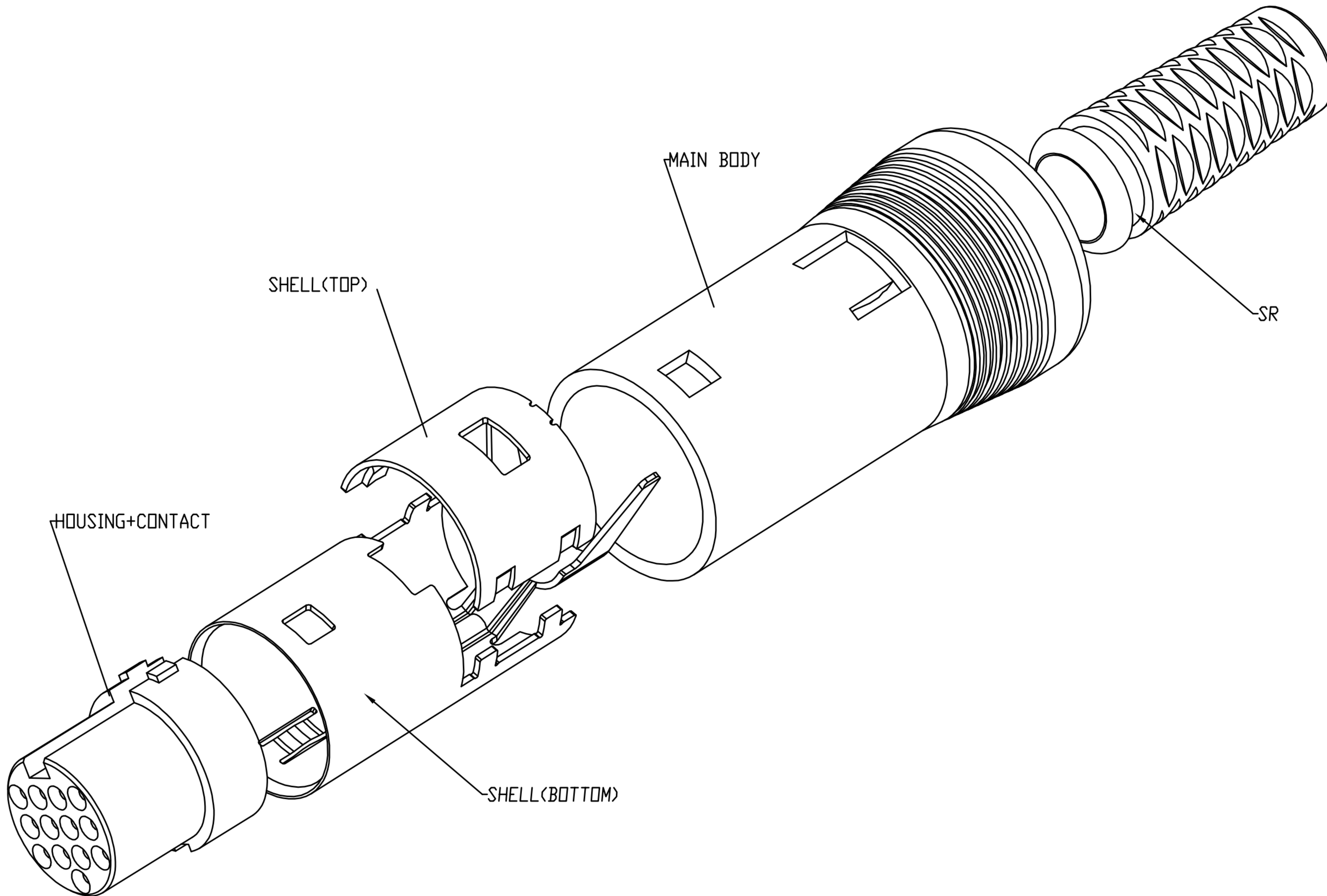
1. MATERIAL :
  - 1-1. HOUSING : NYLON UL94V-0 ; COLOR : BLACK
  - 1-2. CONTACT : PHOSPHOR BRONZE
  - 1-3. MAIN BODY : NYLON 66
  - 1-4. SHELL(BOTTOM) : BRASS
  - 1-5. SHELL(TOP) : BRASS
  - 1-6. SR : PVC ; COLOR : BLACK.
2. FINISH :
  - 2-1. CONTACT : GOLD FLASH PLATING
  - 2-2. SHELL(BOTTOM): NICKEL PLATED
  - 2-3. SHELL(TOP) : NICKEL PLATED
3. ELECTRICAL SPECIFICATION :
  - 3-1. Rated current : 3A
  - 3-2. Rated voltage : 60V
4. Environmental :
  - 3-1. OPERATION TEMPERATURE : -20℃~85℃

DRAWN	LED	APP'D	Ku Chou	UNIT	mm	TOLERANCE		广东科斯达电子科技有限公司 GUANG DONG KE SI DA ELECTRONIC TECHNOLOGY CO., LTD.	TITLE	DIN 13(F)Lock 插式			SHEET
CHK'D	Emily Suen			SCALE	1:1	.x ±0.20 .xx ±0.10 .xxx ±0.05 .xxxx ±0.03 ANGULA ±1°			PART NO.	DI-13F2-04	DWG NO.	QC2754	VERSION



CUSTOMER DRAWING

REV.	DESCRIPTION	APPROVED BY	DATE	ECN NO.
A	RELEASE	Emily Suen	22/12/08'	
B				
C				



DRAWN	LED	APP'D	Ku Chou	UNIT	mm	TOLERANCE		广东科斯达电子科技有限公司 GUANG DONG KE SI DA ELECTRONIC TECHNOLOGY CO., LTD.	TITLE	DIN 13(F)Lock 插式			SHEET	2
CHK'D	Emily Suen			SCALE	1:1	.x ±0.20 .xx ±0.10 .xxx ±0.05 .xxxx ±0.03 ANGULA ±1°			PART NO.	DI-13F2-04	DWG NO.	QC2754	VERSION	A