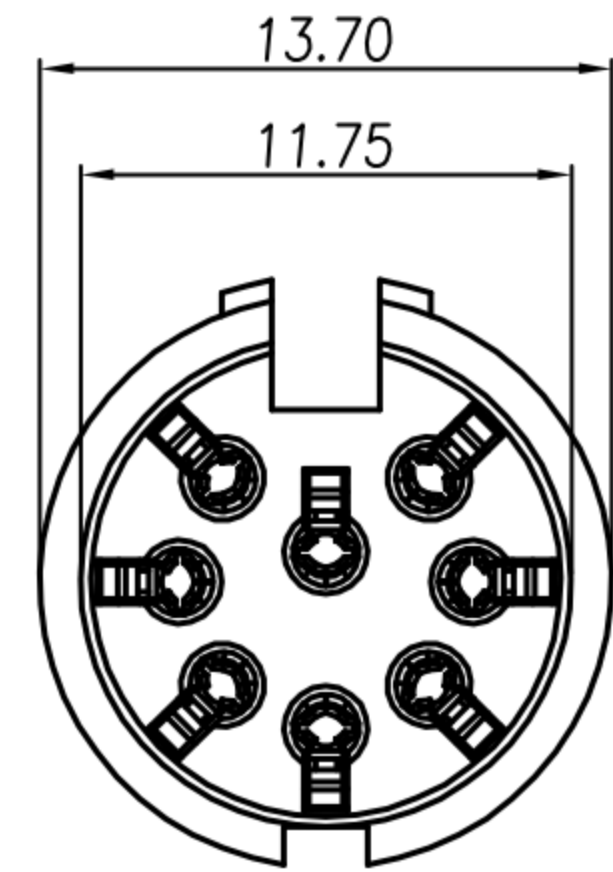


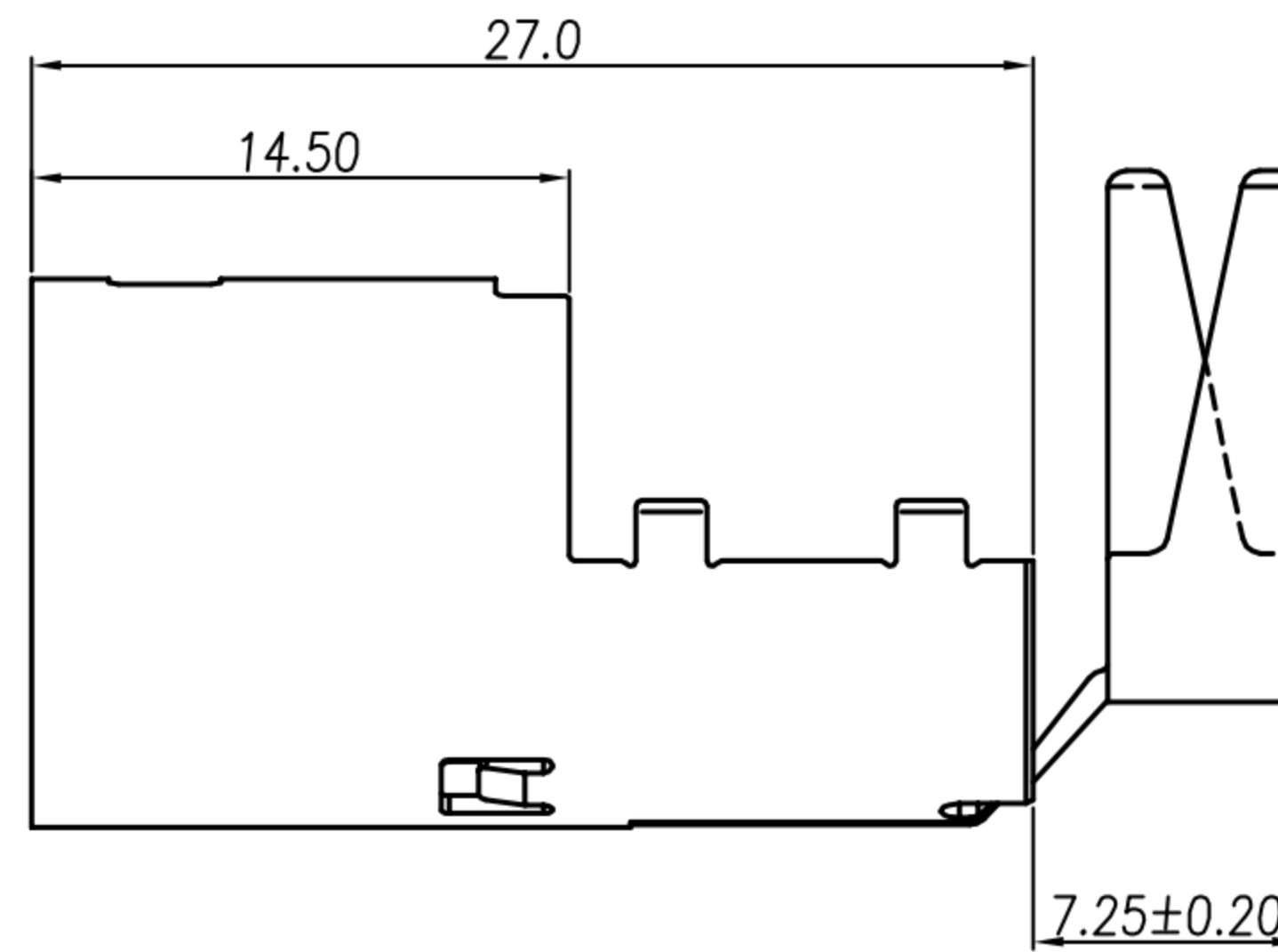
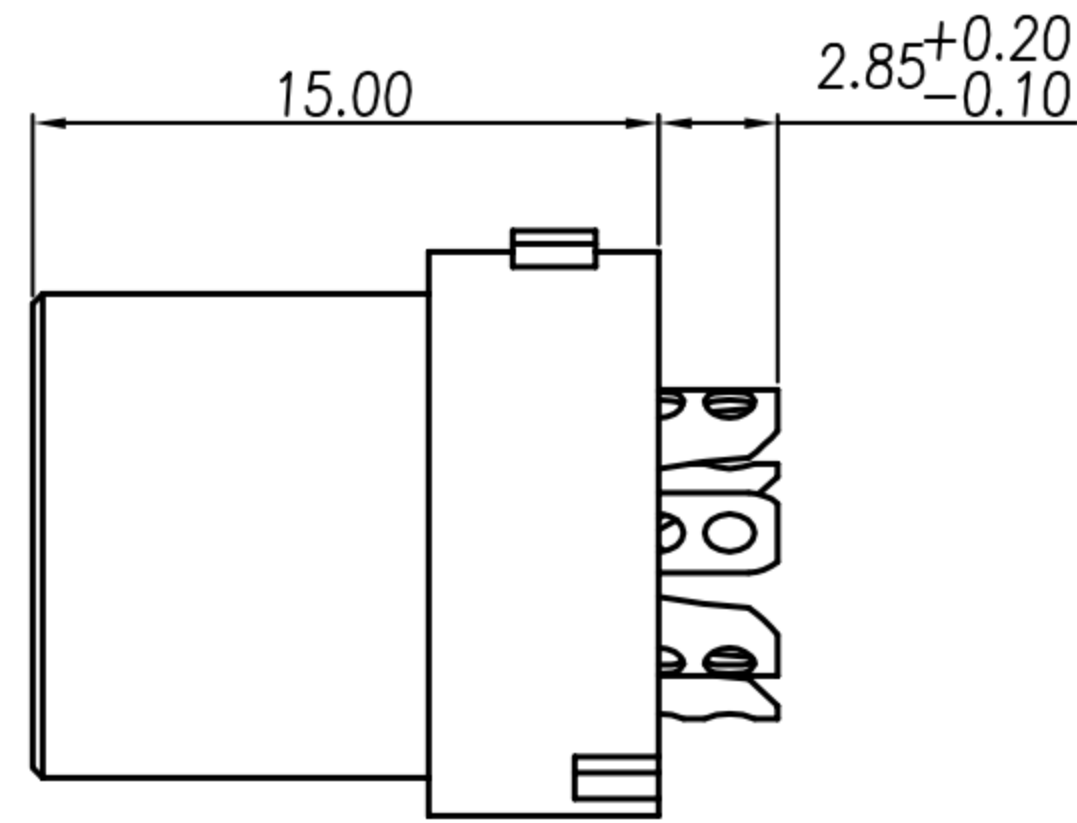
CUSTOMER DRAWING

REV.	DESCRIPTION	APPROVED BY	DATE	ECN NO.
A	RELEASE	Emily Suen	01/08/11'	
B				
C				
D				

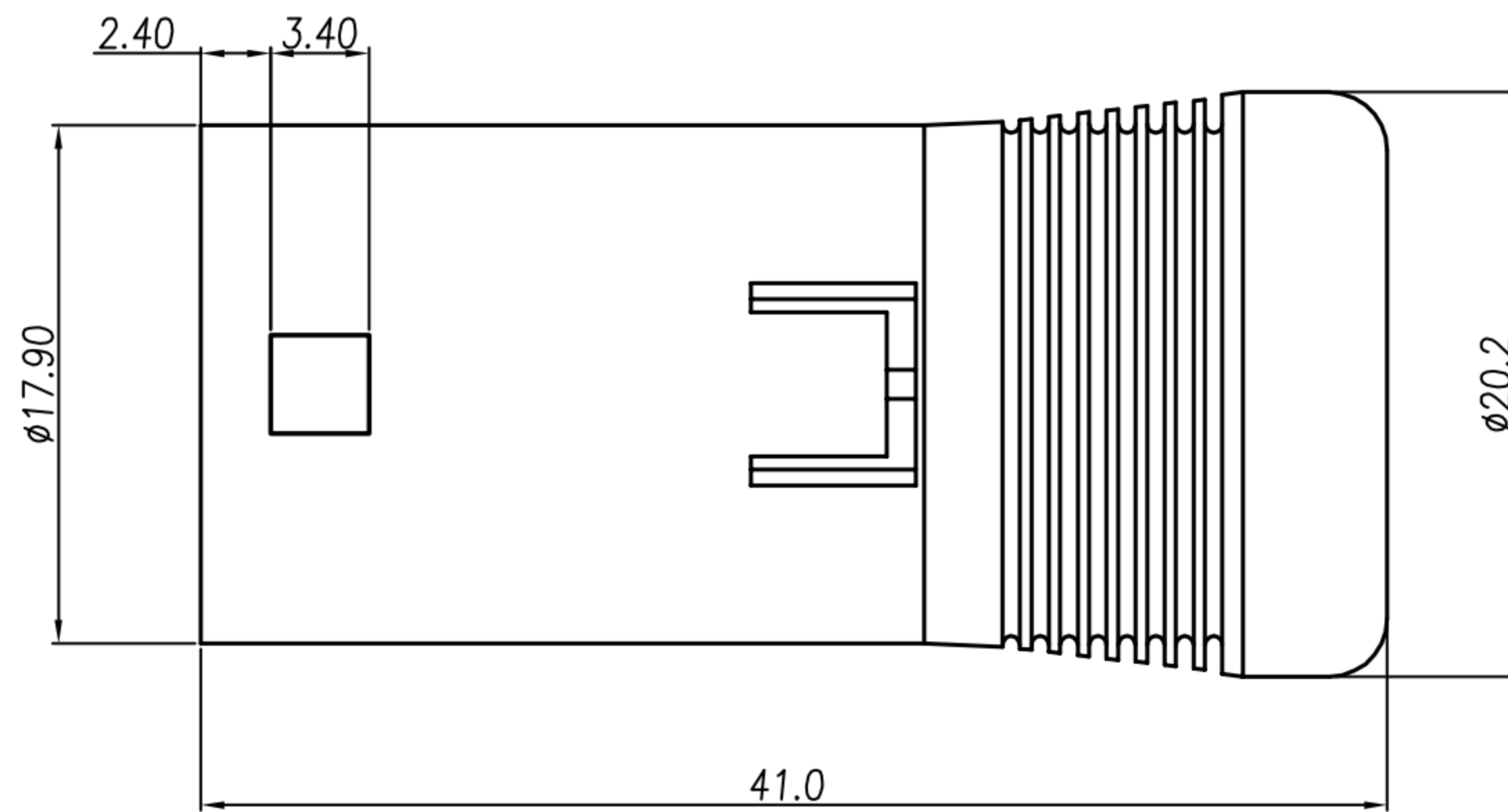
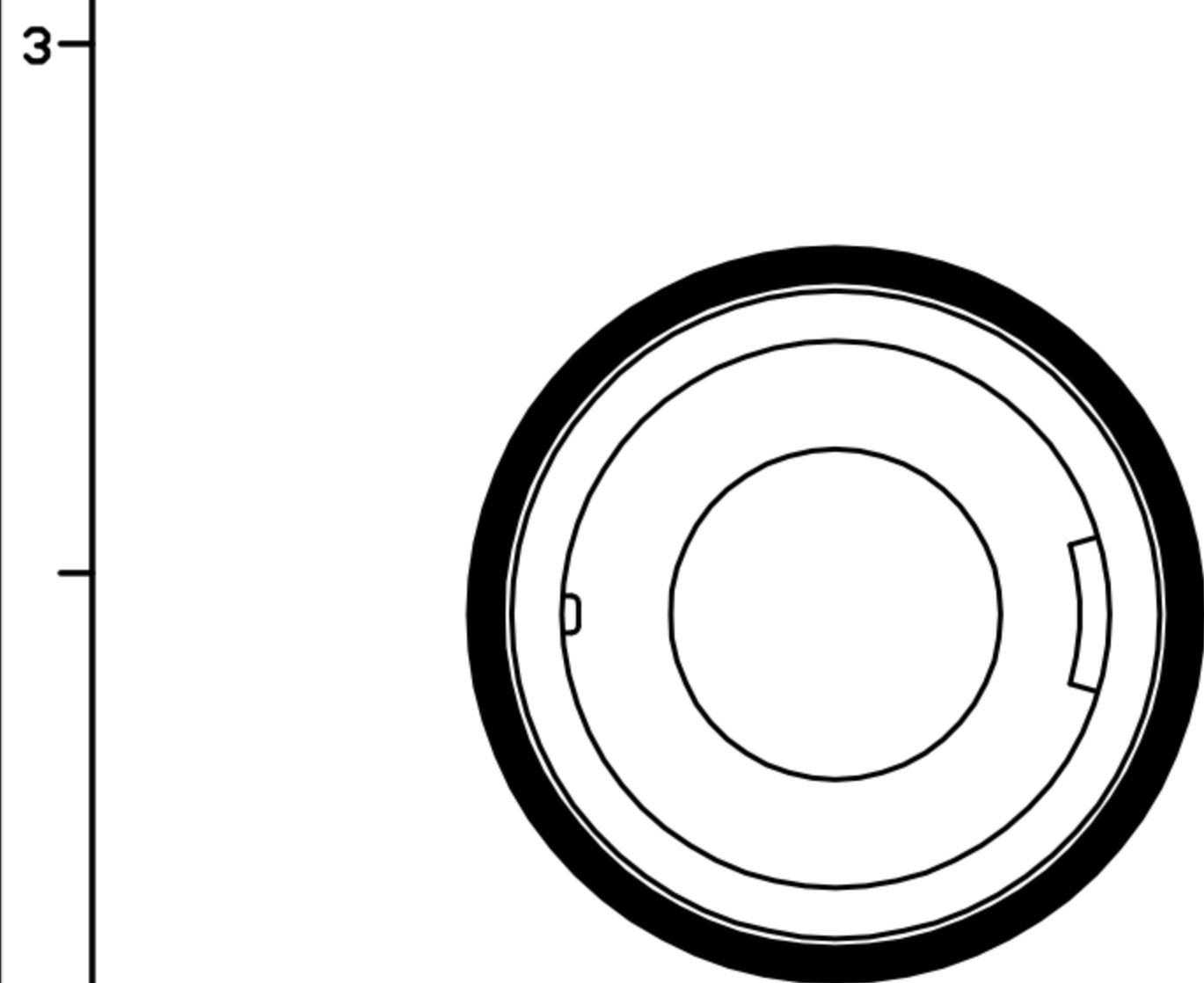
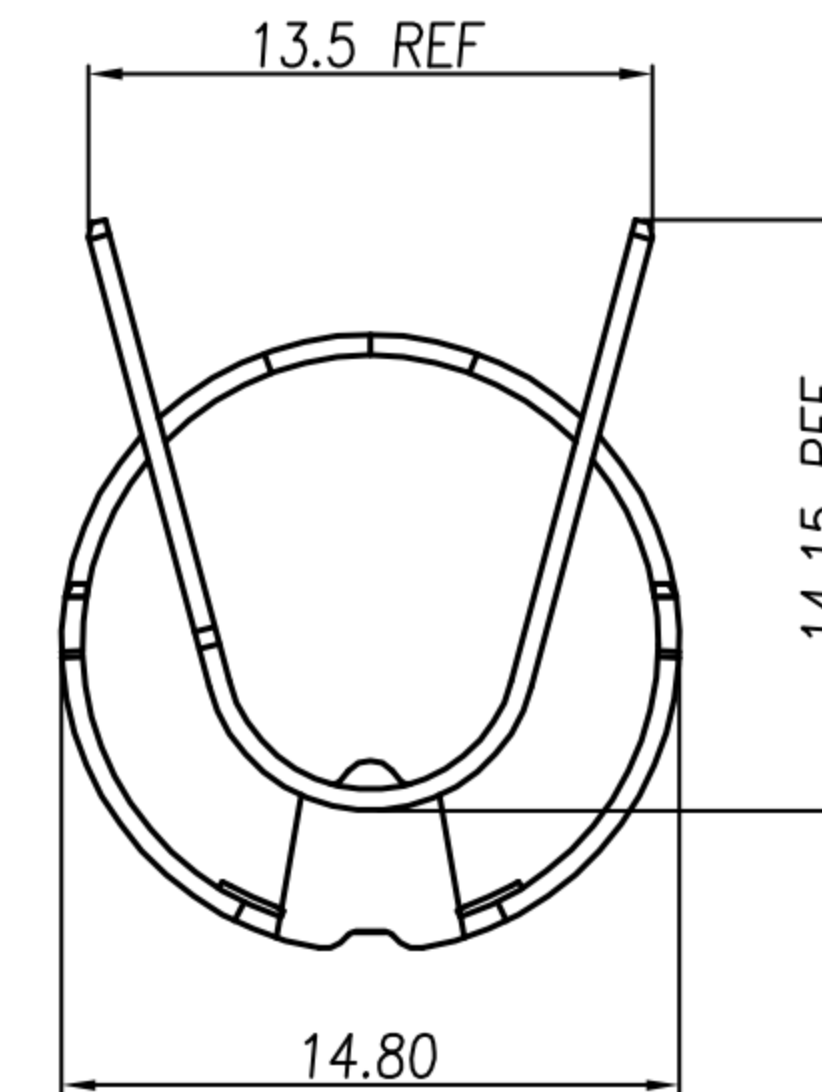


DIN (F) 连接器

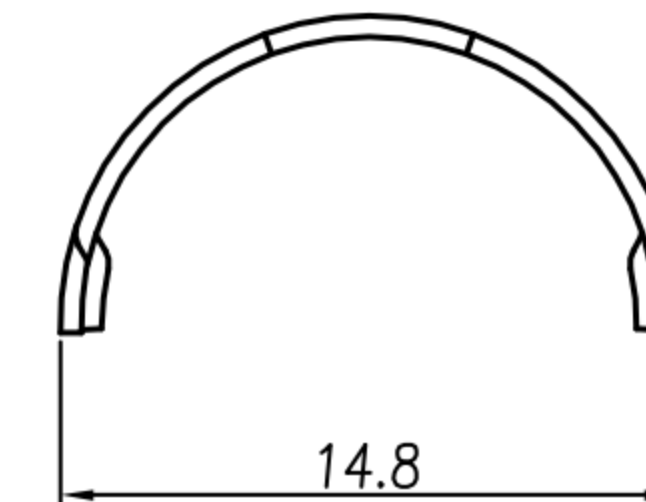
- NY-DM772-11 3P NY-DM776-11 7P
- NY-DM773-11 4P NY-DM777-11 8P
- NY-DM774-11 5P NY-DM775-11 6P



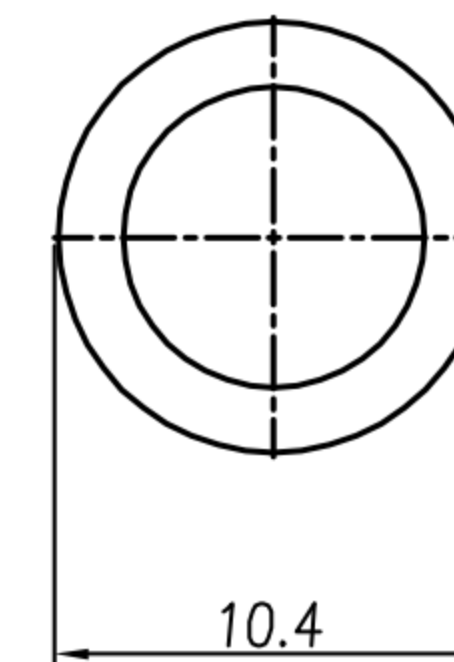
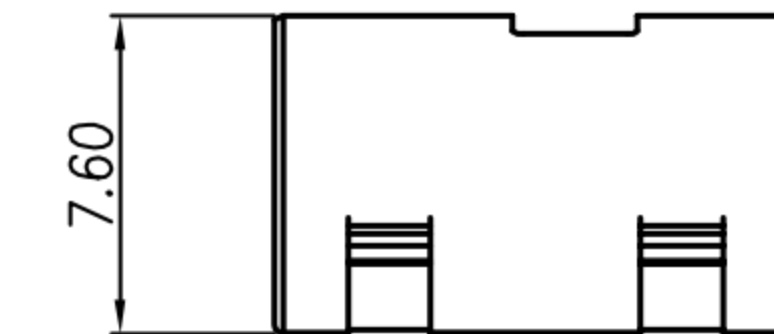
OY-DM0652



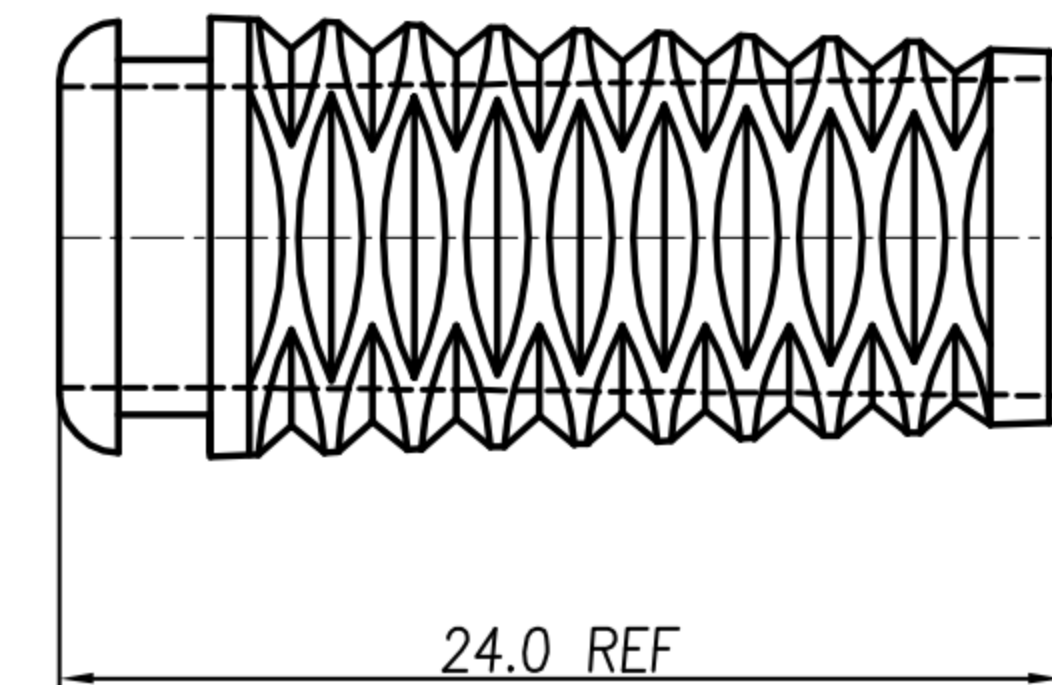
ON-DM0394



OY-DM0653



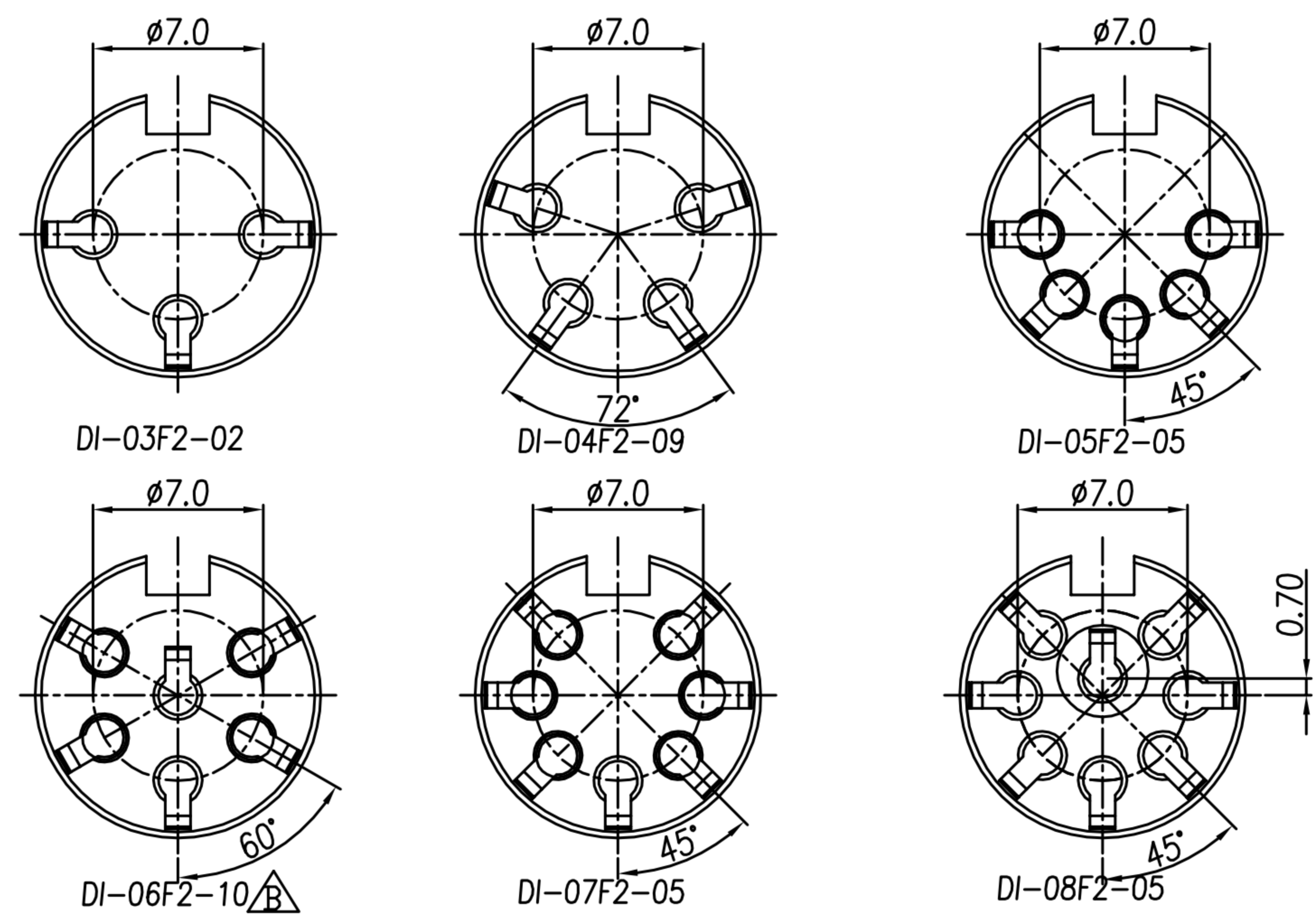
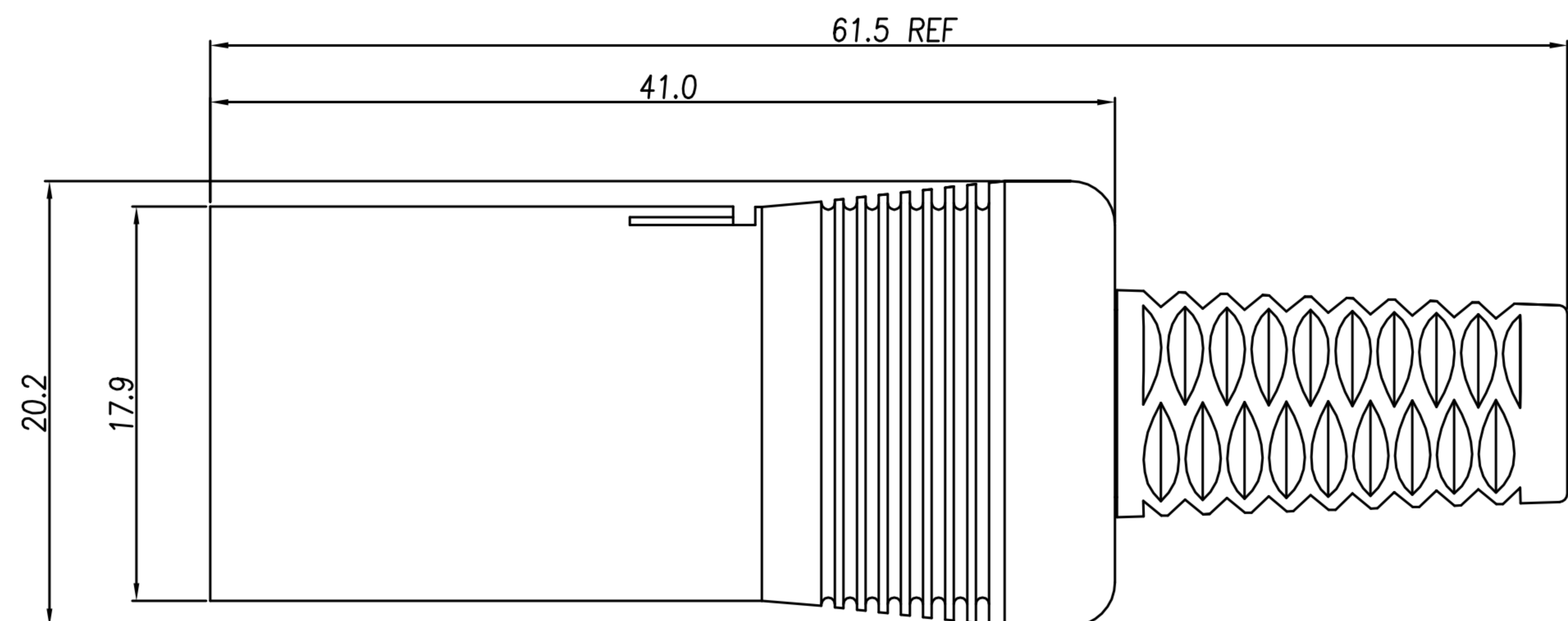
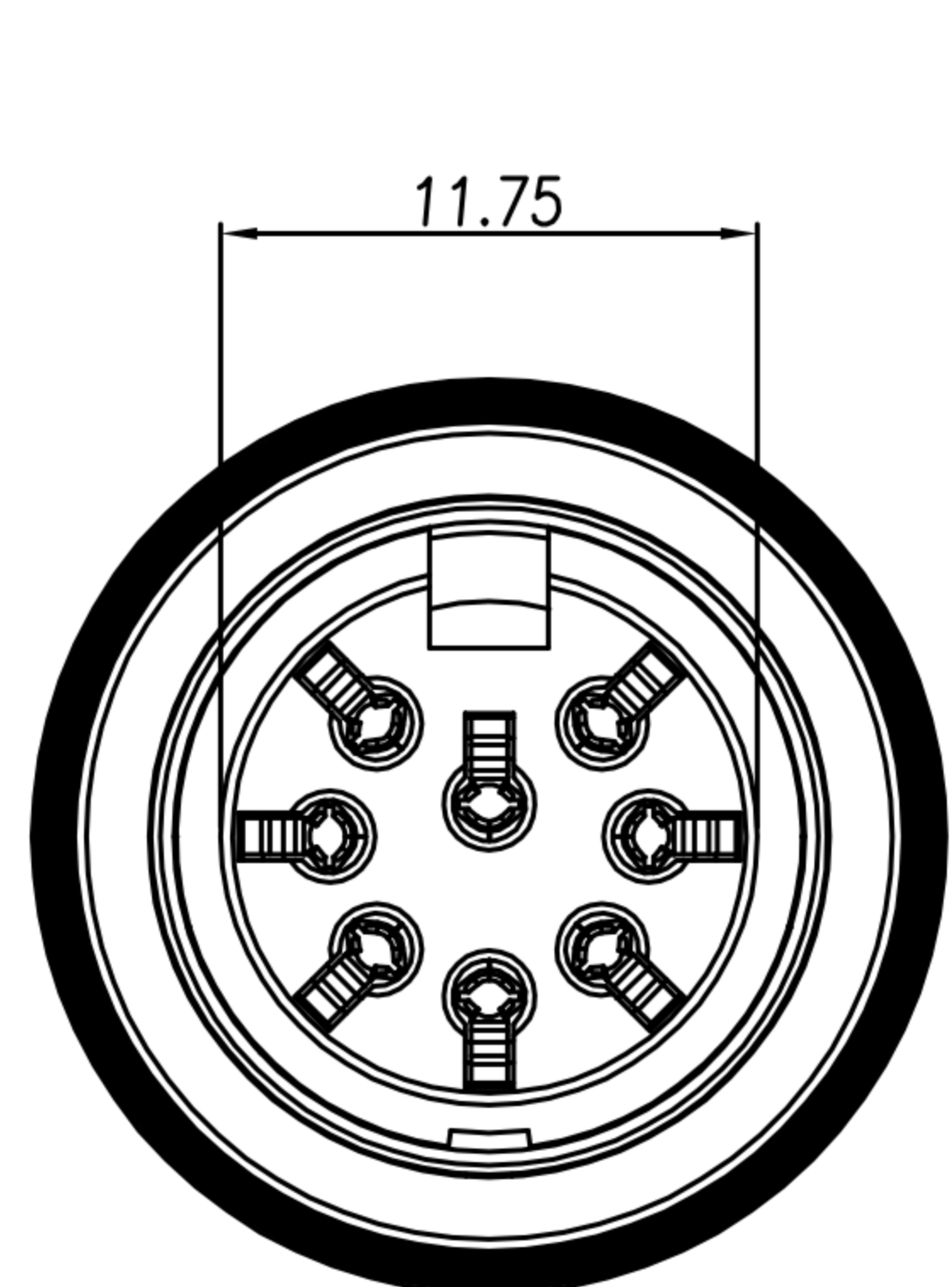
ON-DM0023



DRAWN	Mark Kao	APPVL	Ku Chou	UNIT	mm	TOLERANCE			广东科斯达电子科技有限公司 GUANG DONG KE SI DA ELECTRONIC TECHNOLOGY CO., LTD.	TITLE	SEE TABLE A			SHEET	3
CHK'D	Emily Suen			SCALE	1:1					PART NO.	SEE TABLE A	DWG NO.	QC6082	VERSION	A

CUSTOMER DRAWING

REV.	DESCRIPTION	APPROVED BY	DATE	ECN NO.
△A	RELEASE	Emily Suen	12/10/12'	
△B	修改膠芯孔位置	LED	21/01/19'	ECN-19002
△C				



- MATERIAL :
 - 1-1. HOUSING : NYLON UL94V-0 ; COLOR : BLACK
 - 1-2. CONTACT : PHOSPHOR BRONZE
 - 1-3. MAIN BODY : NYLON 66
 - 1-4. SHELL(BOTTOM) : BRASS
 - 1-5. SHELL(TOP) : BRASS
 - 1-6. SR : PVC ; COLOR : BLACK.
- FINISH :
 - 2-1. CONTACT : CONTACT AREA : GOLD FLASH PLATING
SOLDER AREA : TIN
UNDER PLATE : NICKEL
 - 2-2. SHELL(BOTTOM): NICKEL PLATED
 - 2-3. SHELL(TOP) : NICKEL PLATED
- ELECTRICAL SPECIFICATION :
 - 3-1. Rated current : 5A
 - 3-2. Rated voltage : 250V
- Environmental :
 - 3-1. OPERATION TEMPERATURE : -20℃~85℃

DRAWN	Mark Kao	APP'D	Ku Chou	UNIT	mm	TOLERANCE			广东科斯达电子科技有限公司 GUANG DONG KE SI DA ELECTRONIC TECHNOLOGY CO., LTD.	TITLE	DIN PLUG (F) Assembly type			SHEET	1/3
CHK'D	Emily Suen			SCALE	1:1					PART NO.	SEE TABLE A	DWG NO.	QC6082	VERSION	B

CUSTOMER DRAWING

REV.	DESCRIPTION	APPROVED BY	DATE	ECN NO.
A	RELEASE	Emily Suen	12/10/12'	
B				
C				

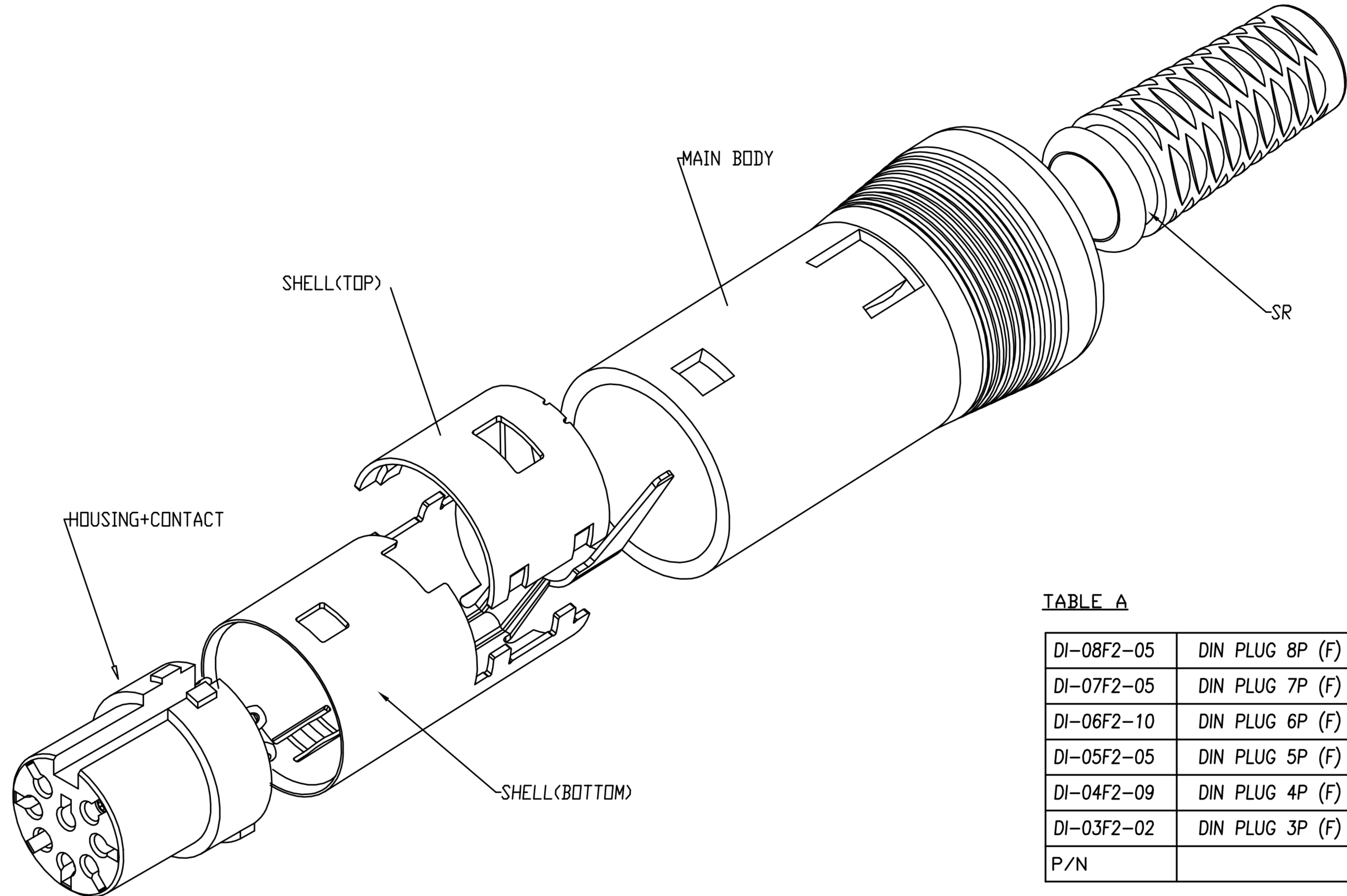


TABLE A

DI-08F2-05	DIN PLUG 8P (F) LOCK 裝配式
DI-07F2-05	DIN PLUG 7P (F) LOCK 裝配式
DI-06F2-10	DIN PLUG 6P (F) LOCK 裝配式
DI-05F2-05	DIN PLUG 5P (F) LOCK 裝配式
DI-04F2-09	DIN PLUG 4P (F) LOCK 裝配式
DI-03F2-02	DIN PLUG 3P (F) LOCK 裝配式
P/N	

DRAWN	Mark Kao	APP'D	Ku Chou	UNIT	mm	TOLERANCE		广东科斯达电子科技有限公司 GUANG DONG KE SI DA ELECTRONIC TECHNOLOGY CO., LTD.	TITLE	SEE TABLE A			SHEET	2
CHK'D	Emily Suen			SCALE	1:1	.x ±0.20 .xx ±0.10 .xxx ±0.05 .xxxx ±0.03 ANGULA ±1°			PART NO.	SEE TABLE A	DWG NO.	QC6082	VERSION	A