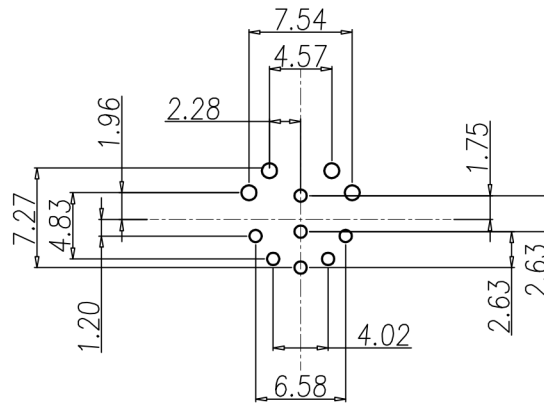
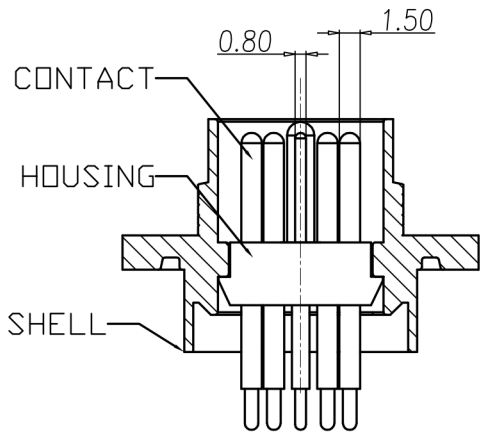
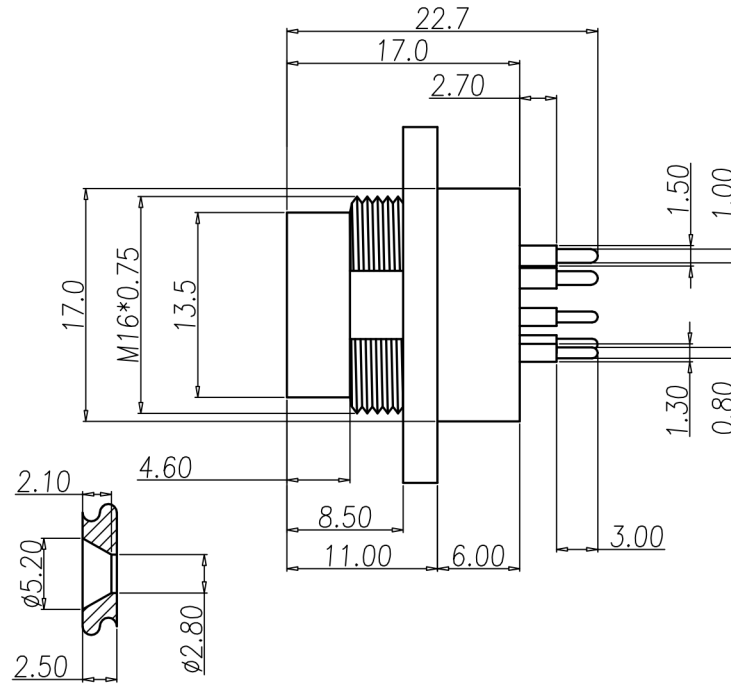
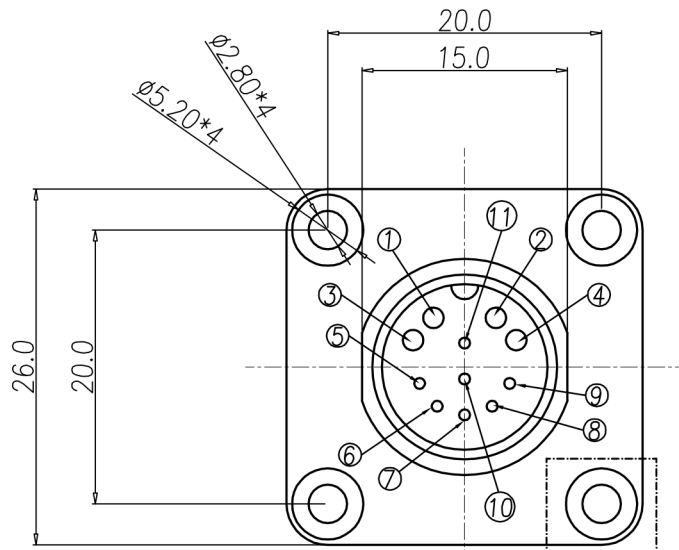


# CUSTOMER DRAWING

REV.	DESCRIPTION	APPROVED BY	DATE	ECN NO.
A	RELEASE	Fido Weng	15/08/11'	
B				
C				



RECOMMEND P.C.B LAYOUT

- MATERIAL :
  - 1-1. HOUSING : PA66 UL94V-2 ; COLOR : BLACK
  - 1-2. CONTACT : BRASS
  - 1-3. SHELL : ZIAC ALLOY.
- FINISH :
  - 2-1. CONTACT : GOLD FLASH MICRO INCHES MIN.
  - UNDER PLATE : NICKEL
  - 2-2. SHELL : Satin Nickel PLATED.
- ELECTRICAL SPECIFICATION :
  - 3-1. Rated current : 10A+1A
  - 3-2. Rated Voltage : 250V+125V
- Environmental :
  - 4-1. Operation Temperature : -40 °C~85°C

DRAWN	KU	APPEND	Emily Suen	UNIT	mm	TOLERANCE		广东科斯达电子科技有限公司 GUANG DONG KE SI DA ELECTRONIC TECHNOLOGY CO., LTD.	TITLE	DIN M16 11P (M) 10A+1A			SHEET
CHOKED	Emily Suen			SCALE	1:1	.x ±0.20 .xx ±0.10 .xxx ±0.05 .xxxx ±0.03 ANGULA ±1°			PART NO.	DI-11M3-01	DWG NO.	QC5432	VERSION