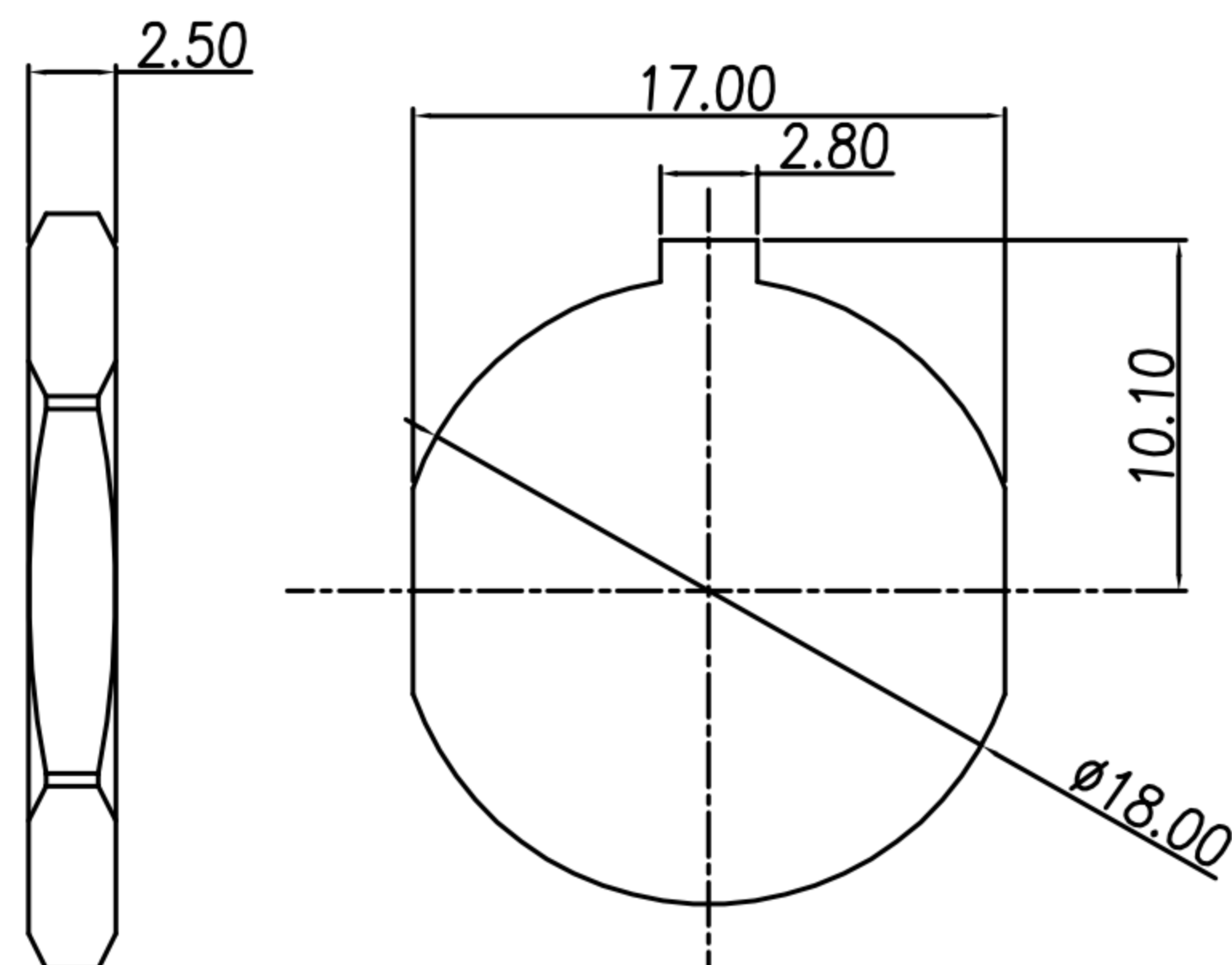
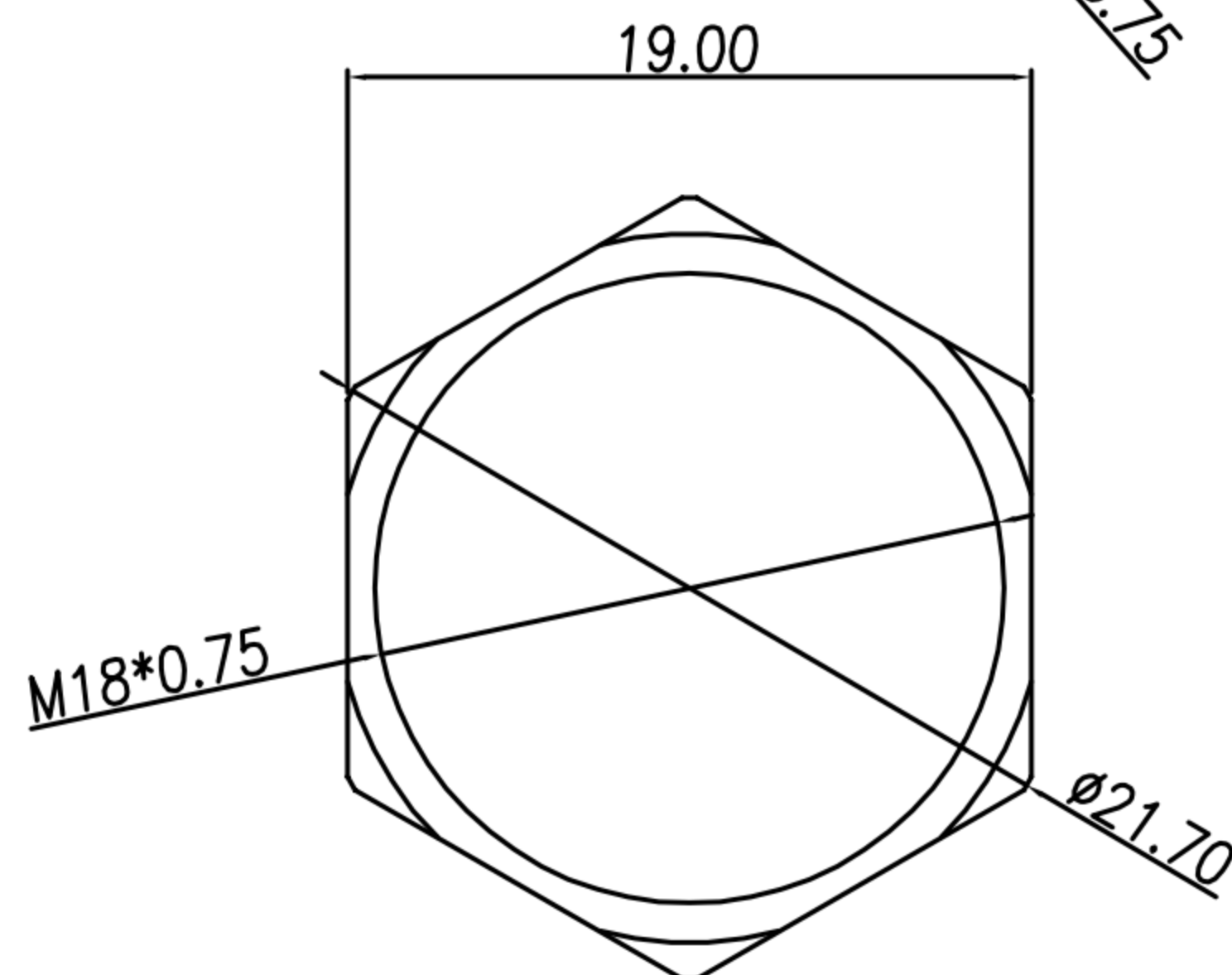
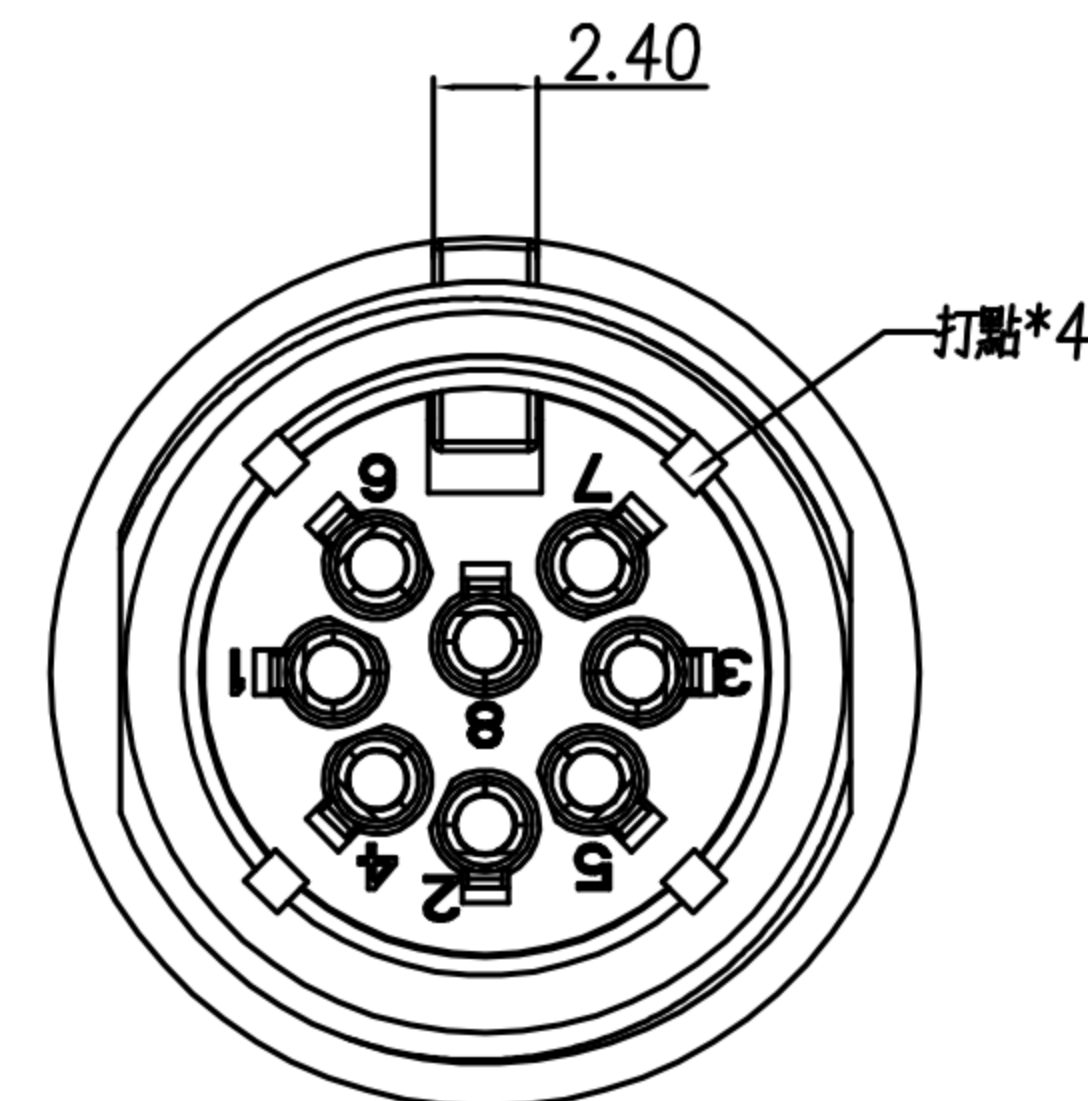
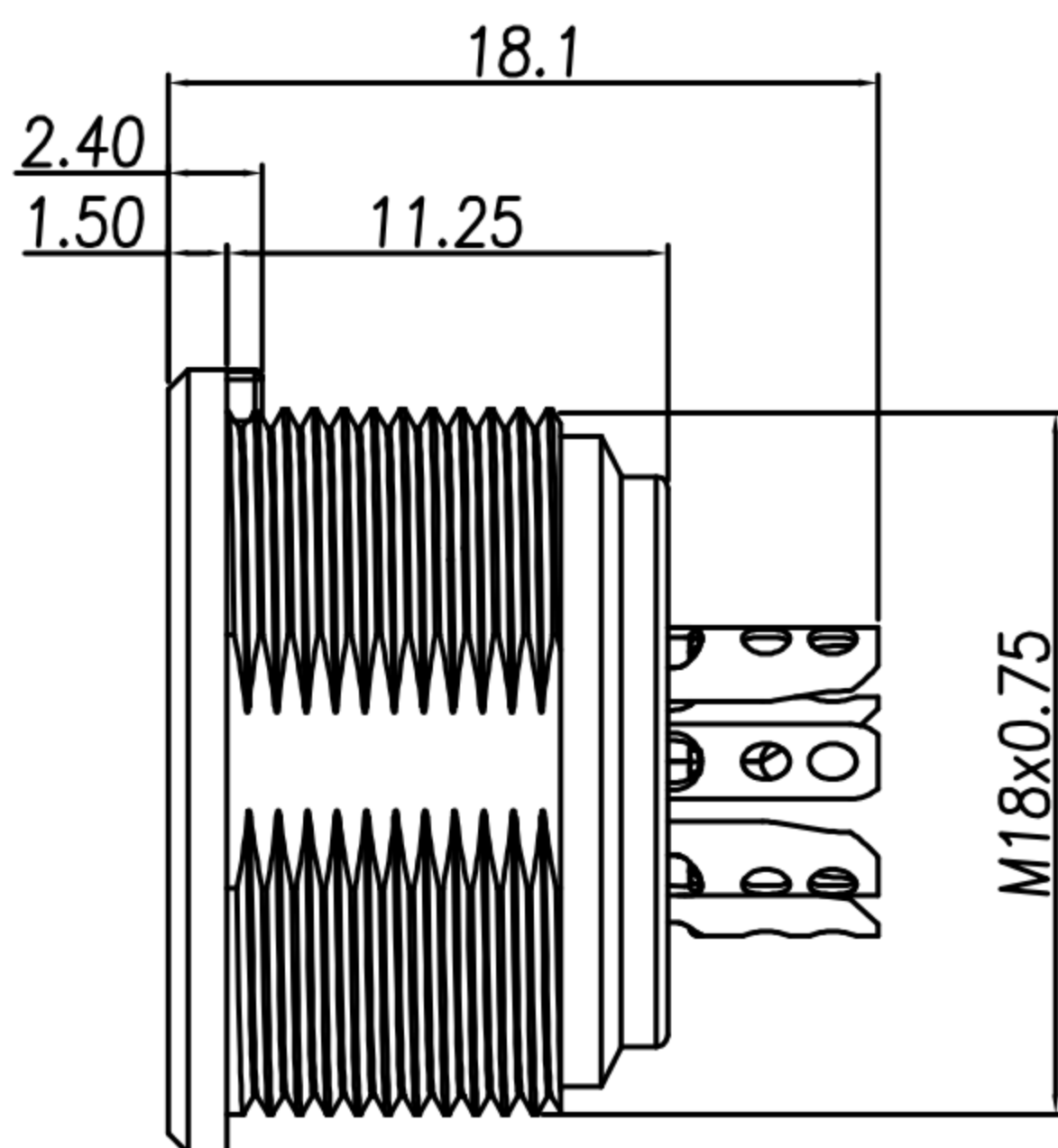
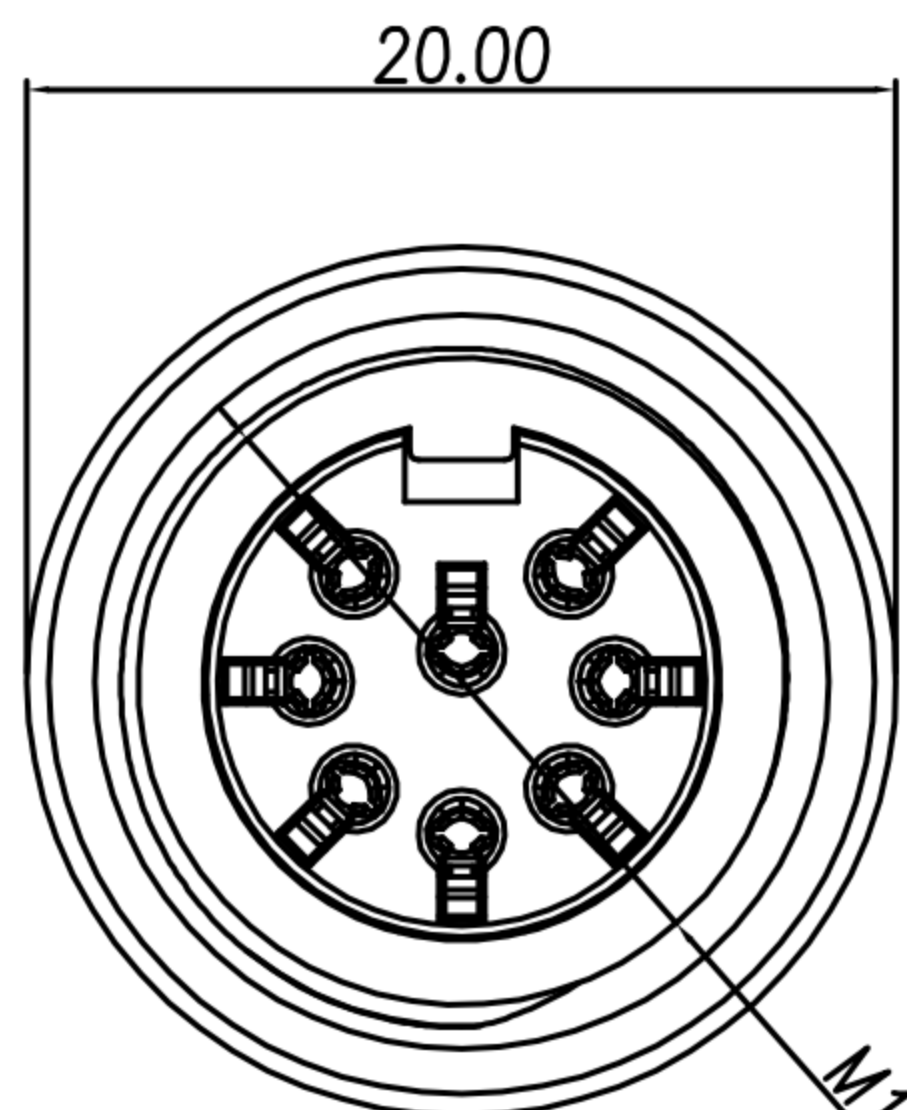


# CUSTOMER DRAWING

REV.	DESCRIPTION	APPVL. BY	DATE	ECN NO.
A	RELEASE	Yeh Chou		
B	ADD PART NO.	KU	2019/03/13	
C	新增機殼	LED	2020/07/30	



- MATERIAL :
  - 1-1. HOUSING : NYLON UL94V-0 ; COLOR : BLACK
  - 1-2. CONTACT : PHOSPHOR BRONZE
  - 1-3. SHELL : Zn ALLOY
  - 1-4. NUT : BRASS
- FINISH :
  - 2-1. CONTACT : GOLD FLASH MICRO INCHES MIN.
  - 2-2. NUT : NICKEL PLTAEED.
  - 2-3. SHELL : NICKEL PLTAEED.
- ELECTRICAL SPECIFICATION :
  - 3-1. Rated current(40°C): 5A
  - 3-2. Rated Voltage : 250V
- Environmental :
  - 4-1. Operation Temperature : -40°C~85°C

NUT

Panel Cut-Out

Diagram	Diagram	Diagram	Diagram	Diagram	Diagram	Diagram	Diagram
DI-03F2-11-11	DI-04F2-17-11	DI-05F2-14-11	DI-05F2-22-11	DI-06F2-21-11	DI-07F2-21-11	DI-07F2-14-11	DI-08F2-14-11

DRAWN	Yeh Chou	APP'D	Ku Chou	UNIT	mm	TOLERANCE		广东科斯达电子科技有限公司 GUANG DONG KE SI DA ELECTRONIC TECHNOLOGY CO., LTD.	TITLE	Din 8P Female screw locking rear mounting Hex nuts			SHEET	1
CHK'D	Ku Chou	SCALE	1:1	TOLERANCE	.x ±0.20 .xx ±0.10 .xxx ±0.05 .xxxx ±0.03 ANGULA ±1°	PART NO.			SEE TABLE A	DWG NO.	QC7930	VERSION	C	