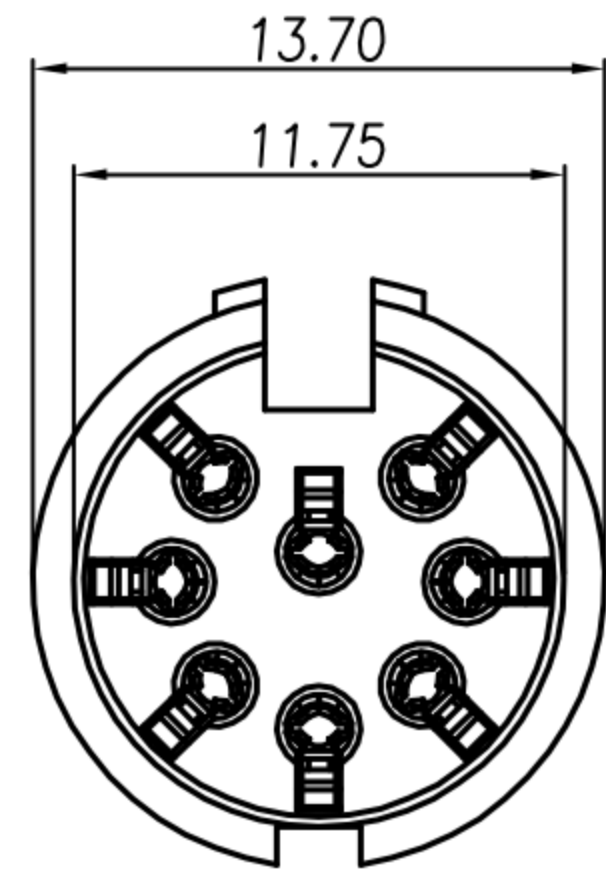


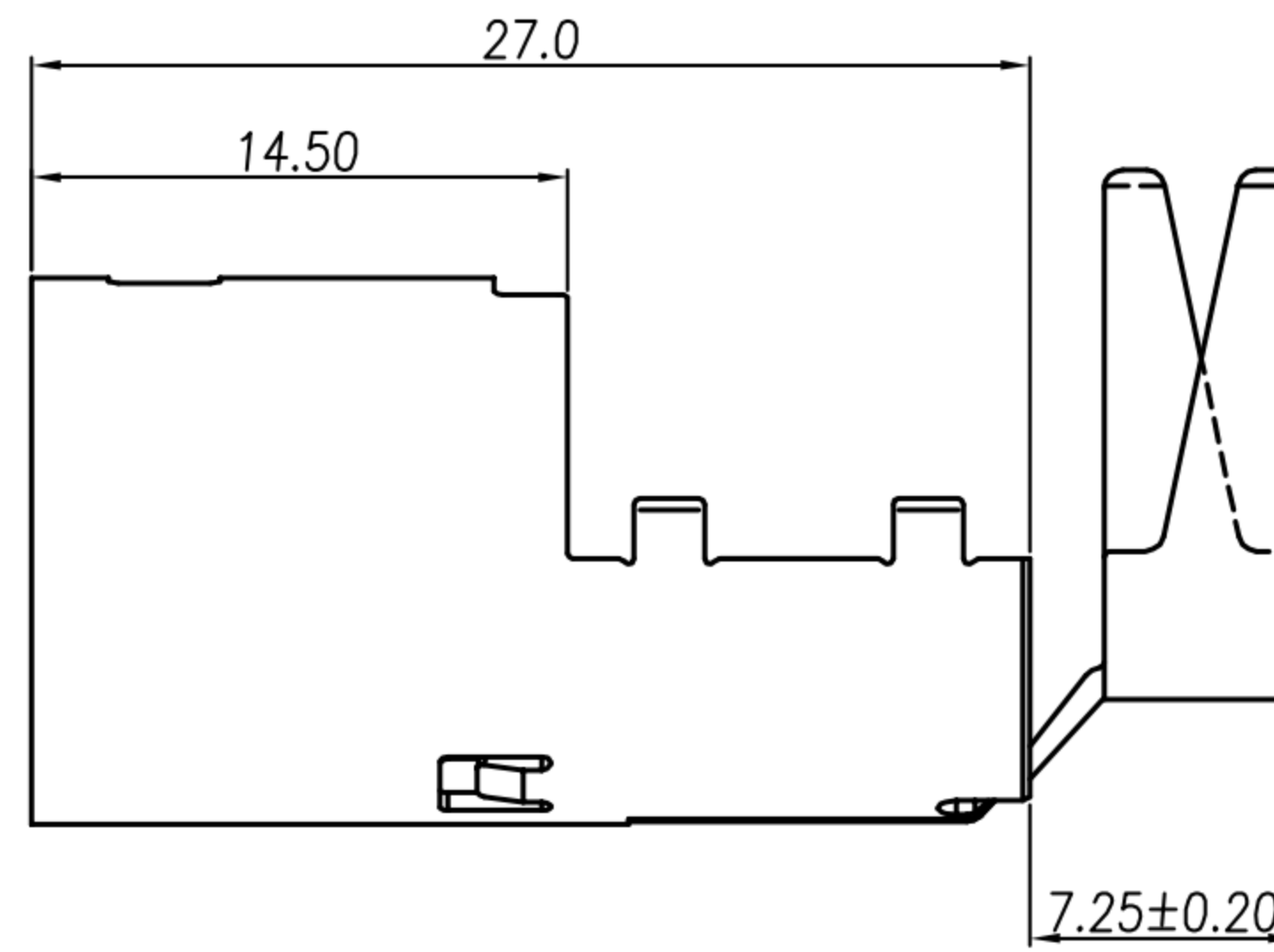
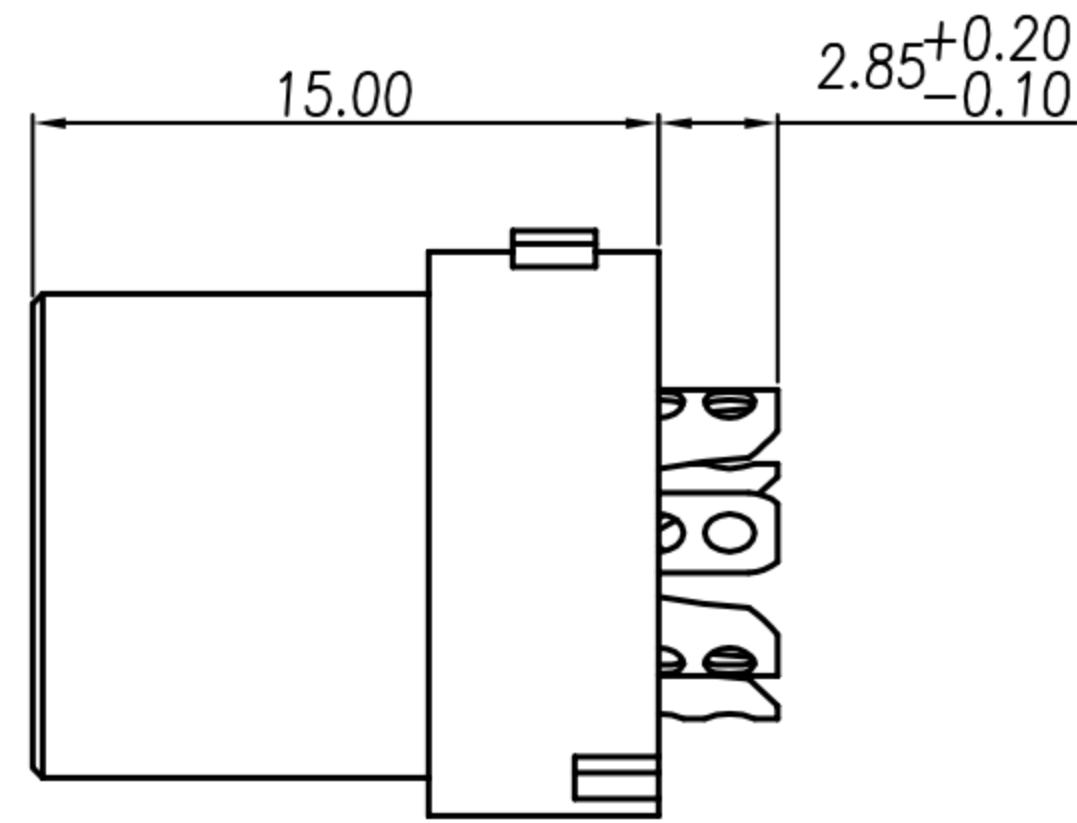
CUSTOMER DRAWING

| REV. | DESCRIPTION | APPROVED BY | DATE | ECN NO. |
|------|-------------|-------------|-----------|---------|
| A | RELEASE | Emily Suen | 01/08/11' | |
| B | | | | |
| C | | | | |
| D | | | | |

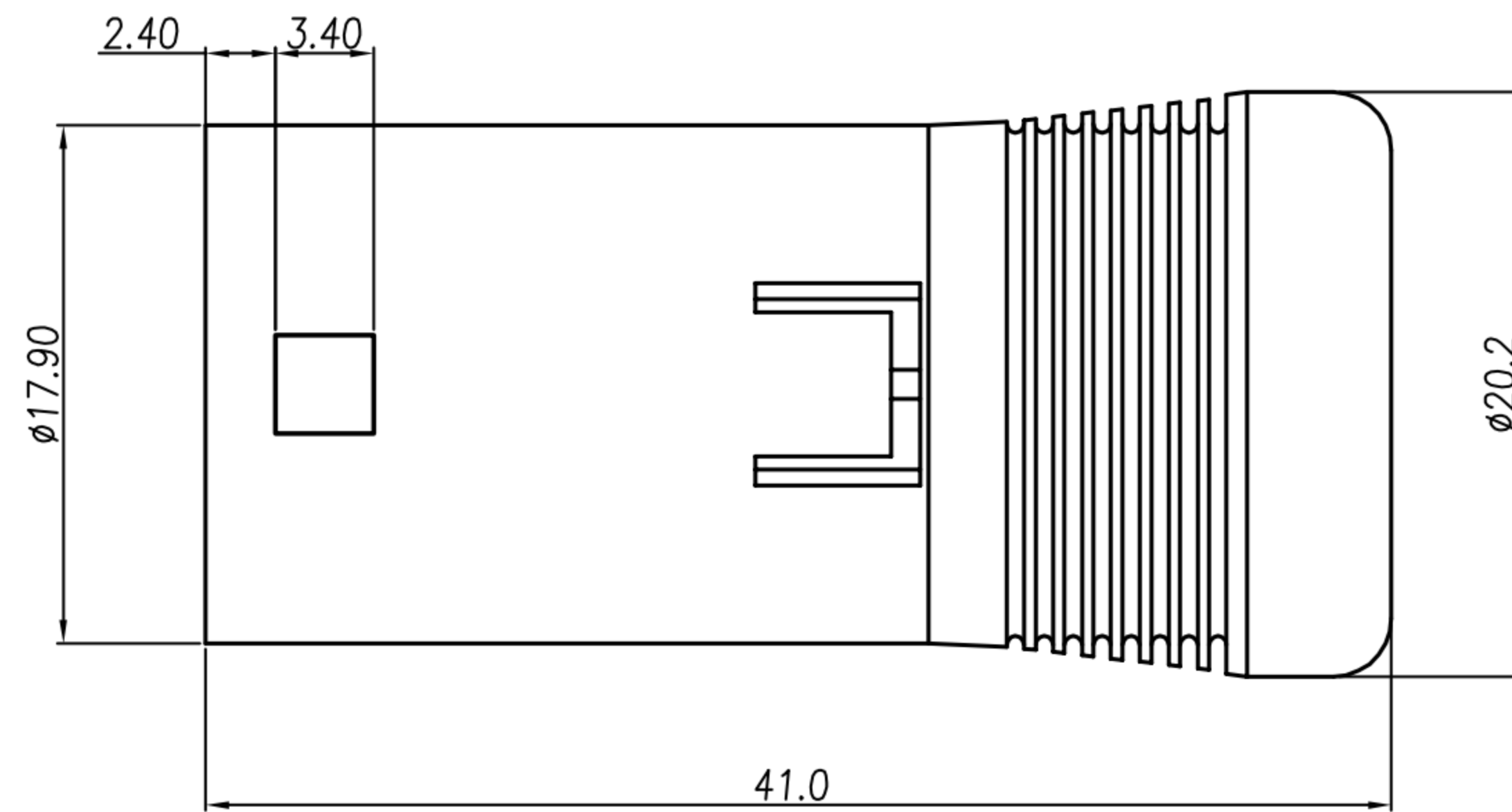
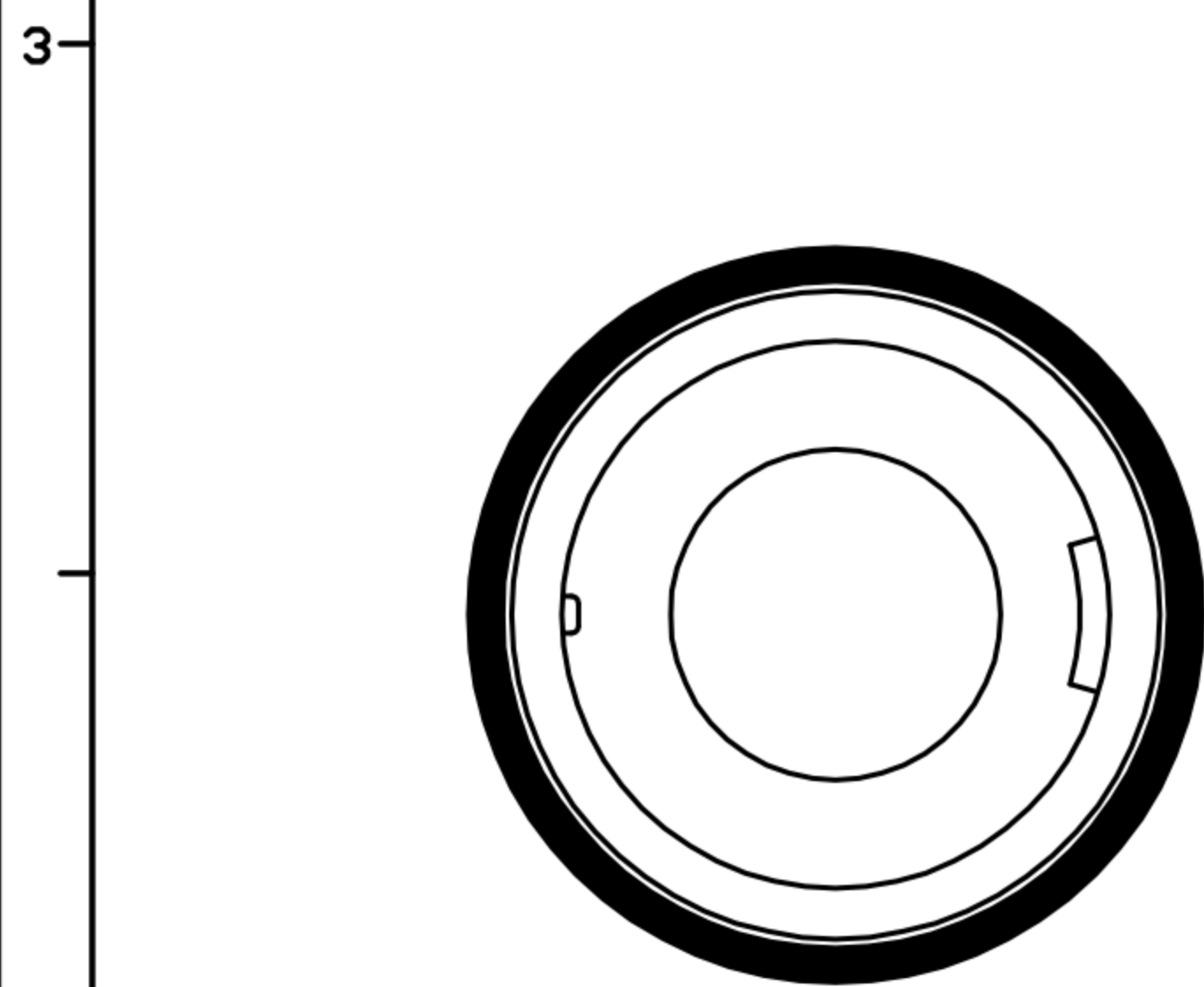
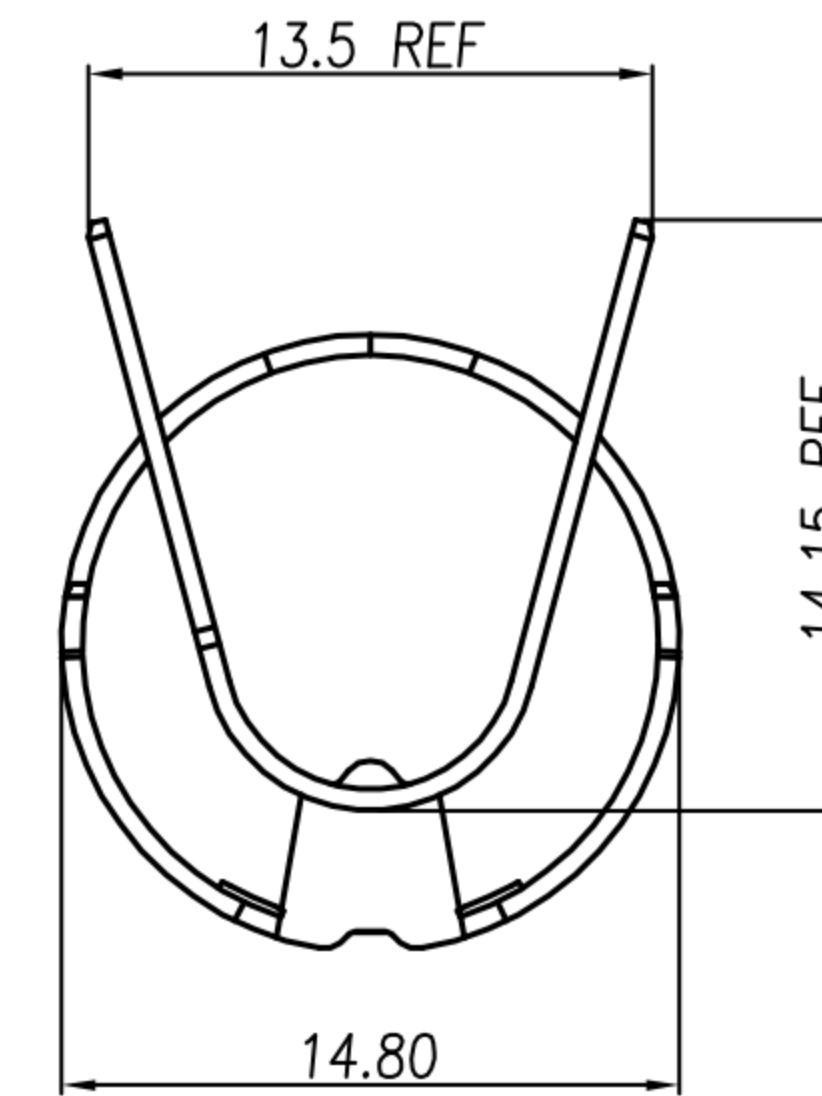


DIN (F) 连接器

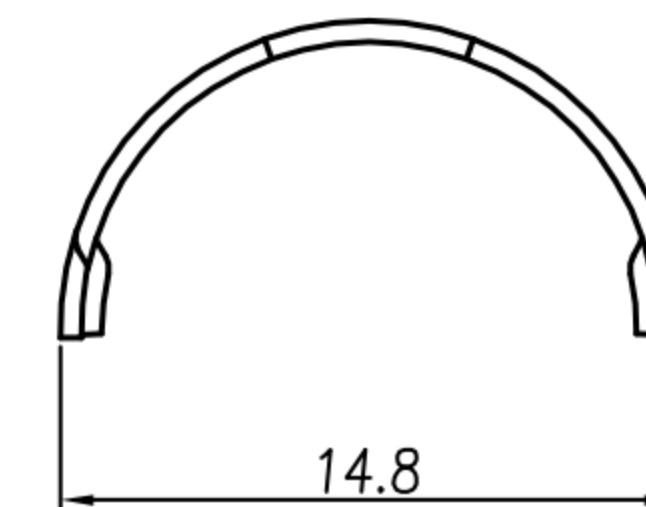
- NY-DM772-11 3P NY-DM776-11 7P
- NY-DM773-11 4P NY-DM777-11 8P
- NY-DM774-11 5P NY-DM775-11 6P



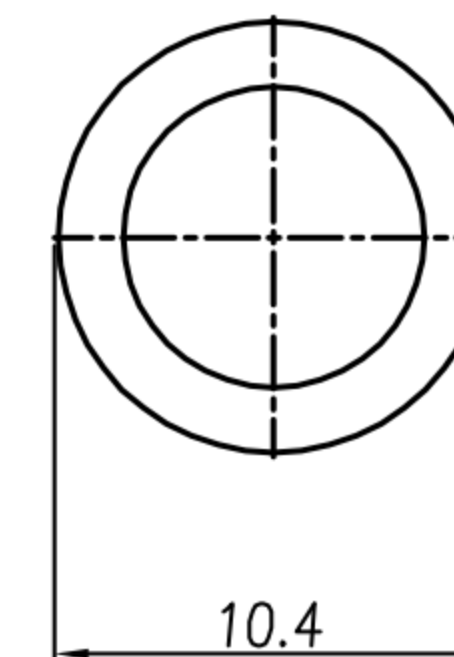
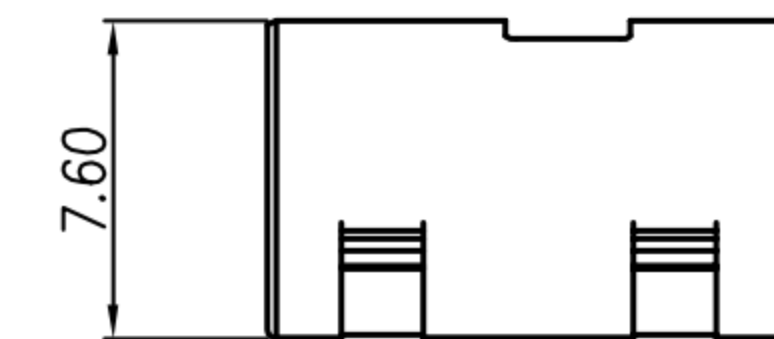
OY-DM0652



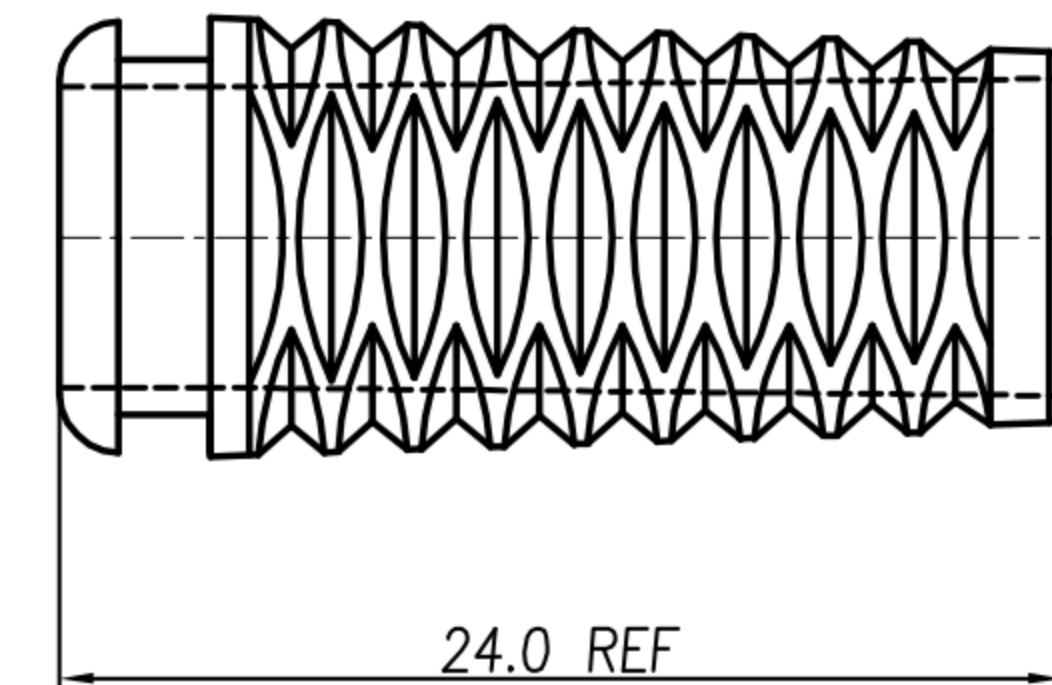
ON-DM0394



OY-DM0653



ON-DM0023

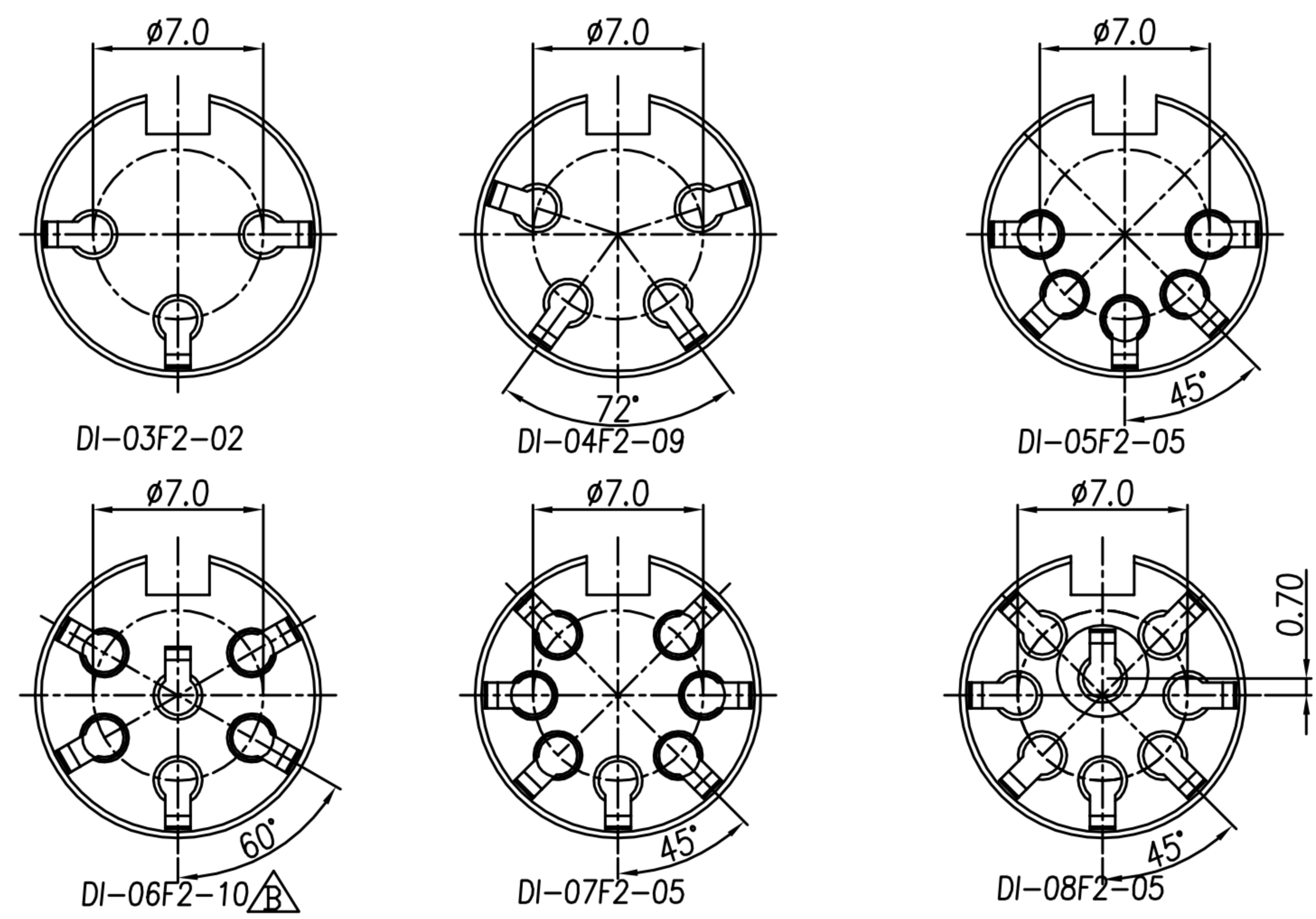
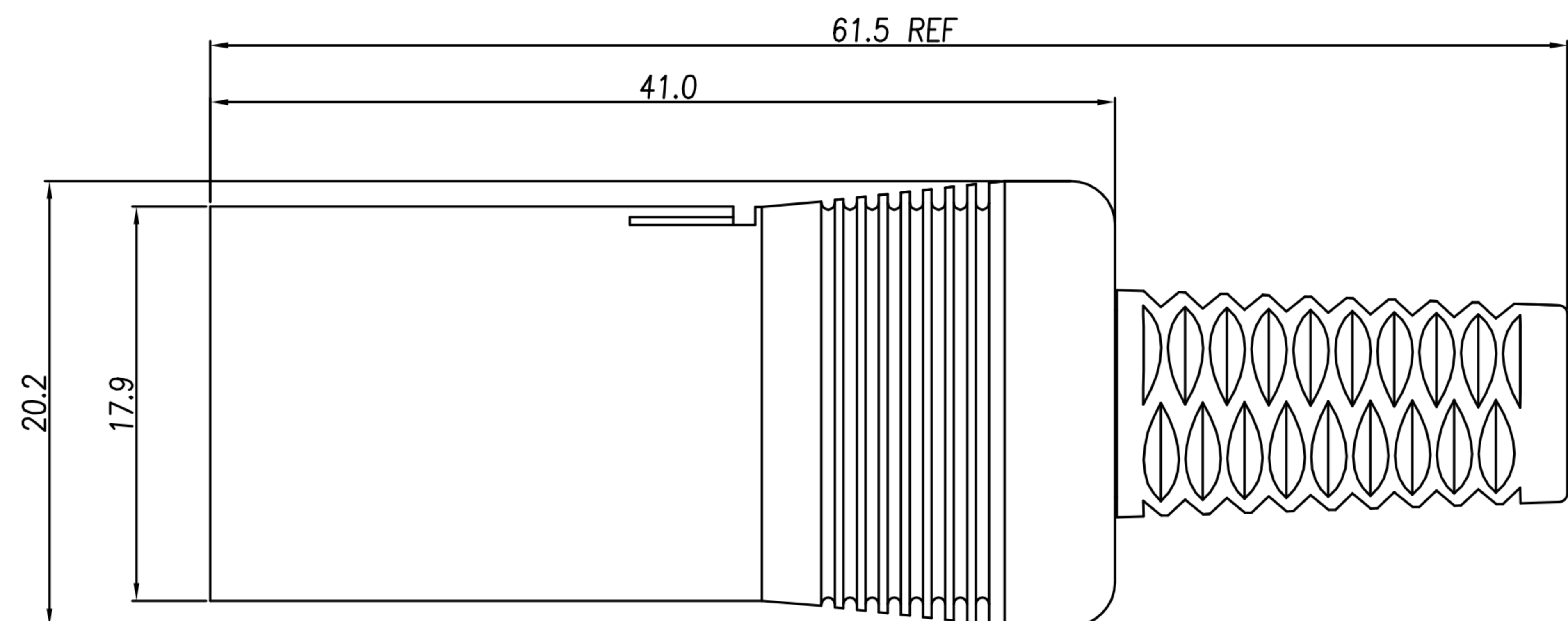
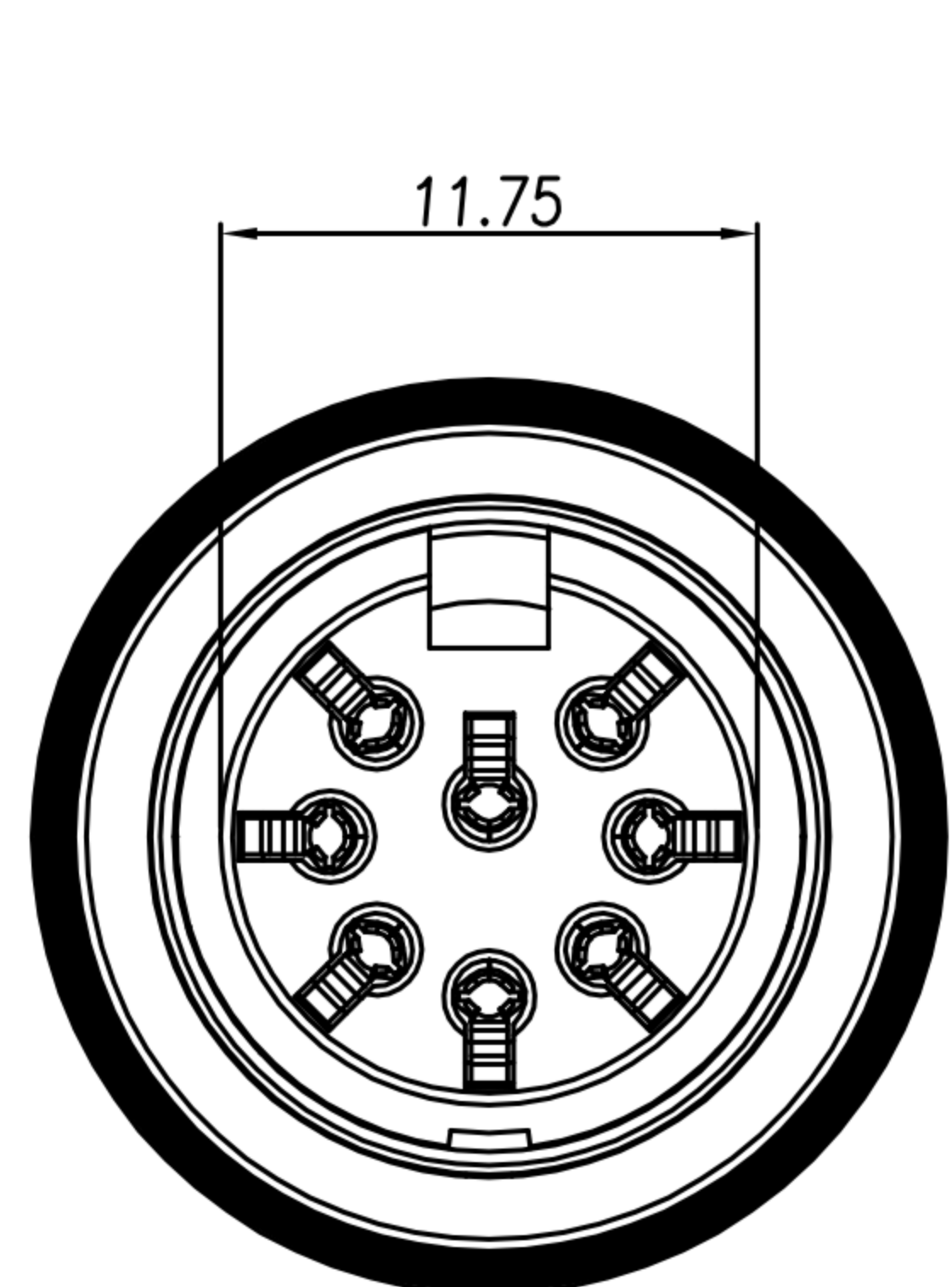


| | | | | | | | | | | | | | | |
|-------|------------|-------|---------|-------|-----|-----------|--|--|-------|-------------|-------------|---------|--------|---------|
| DRAWN | Mark Kao | APPVL | Ku Chou | UNIT | mm | TOLERANCE | | | TITLE | SEE TABLE A | | | SHEET | 3 |
| CHK'D | Emily Suen | | | SCALE | 1:1 | | | | | PART NO. | SEE TABLE A | DWG NO. | QC6082 | VERSION |

广东科斯达电子科技有限公司
GUANG DONG KE SI DA ELECTRONIC TECHNOLOGY CO., LTD.

CUSTOMER DRAWING

| REV. | DESCRIPTION | APPROVED BY | DATE | ECN NO. |
|------|-------------|-------------|-----------|-----------|
| △A | RELEASE | Emily Suen | 12/10/12' | |
| △B | 修改膠芯孔位置 | LED | 21/01/19' | ECN-19002 |
| △C | | | | |



- MATERIAL :
 - 1-1. HOUSING : NYLON UL94V-0 ; COLOR : BLACK
 - 1-2. CONTACT : PHOSPHOR BRONZE
 - 1-3. MAIN BODY : NYLON 66
 - 1-4. SHELL(BOTTOM) : BRASS
 - 1-5. SHELL(TOP) : BRASS
 - 1-6. SR : PVC ; COLOR : BLACK.
- FINISH :
 - 2-1. CONTACT : CONTACT AREA : GOLD FLASH PLATING
SOLDER AREA : TIN
UNDER PLATE : NICKEL
 - 2-2. SHELL(BOTTOM): NICKEL PLATED
 - 2-3. SHELL(TOP) : NICKEL PLATED
- ELECTRICAL SPECIFICATION :
 - 3-1. Rated current : 5A
 - 3-2. Rated voltage : 250V
- Environmental :
 - 3-1. OPERATION TEMPERATURE : -20℃~85℃

| | | | | | | | | | | | | | | |
|-------|------------|-------|---------|-------|-----|--|--|--|----------|----------------------------|---------|--------|---------|-----|
| DRAWN | Mark Kao | APP'D | Ku Chou | UNIT | mm | TOLERANCE | | 广东科斯达电子科技有限公司 GUANG DONG KE SI DA ELECTRONIC TECHNOLOGY CO., LTD. | TITLE | DIN PLUG (F) Assembly type | | | SHEET | 1/3 |
| CHK'D | Emily Suen | | | SCALE | 1:1 | .x ±0.20 .xx ±0.10 .xxx ±0.05 .xxxx ±0.03 ANGULA ±1° | | | PART NO. | SEE TABLE A | DWG NO. | QC6082 | VERSION | B |

CUSTOMER DRAWING

| REV. | DESCRIPTION | APPROVED BY | DATE | ECN NO. |
|------|-------------|-------------|----------|---------|
| A | RELEASE | Emily Suen | 12/10/12 | |
| B | | | | |
| C | | | | |

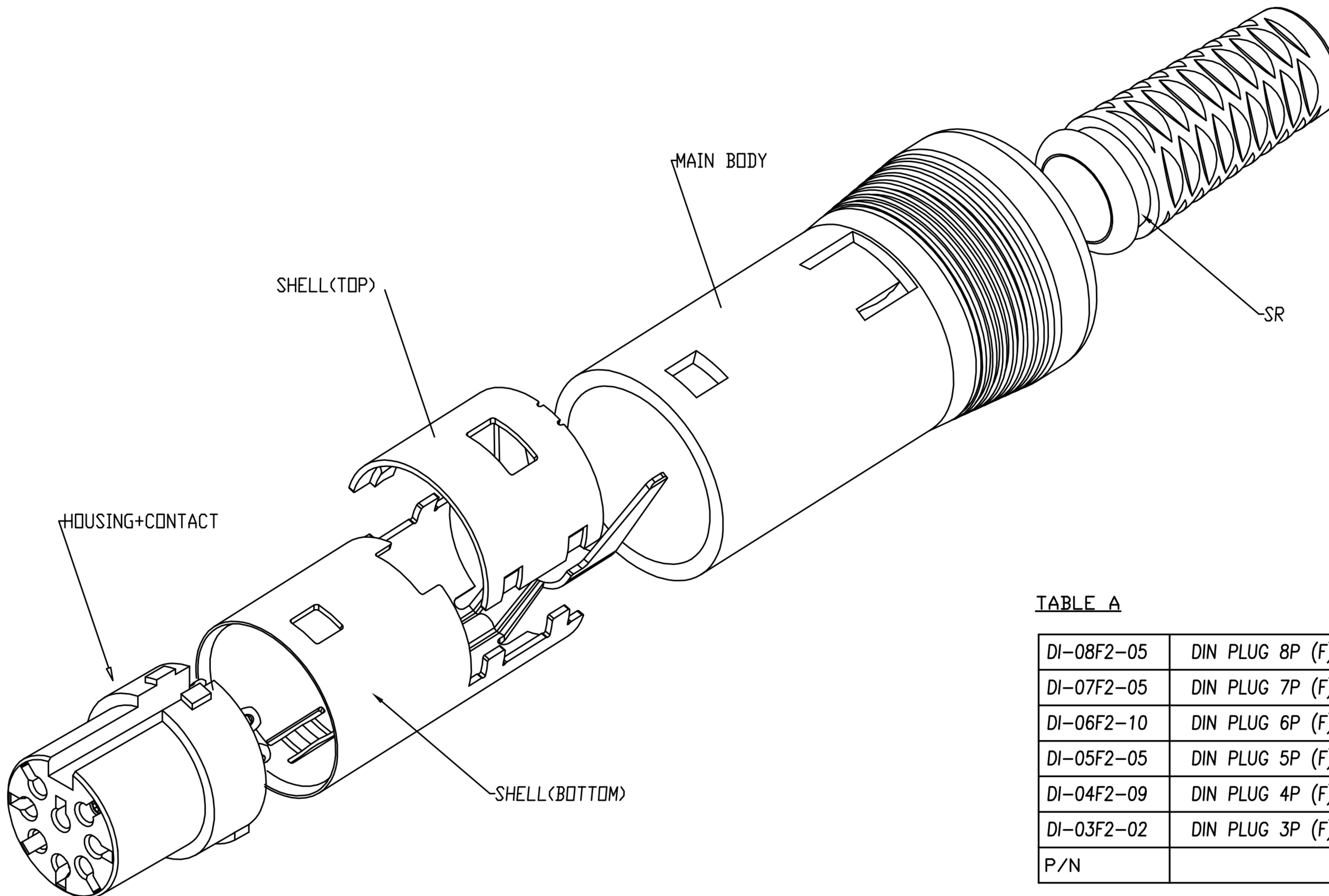


TABLE A

| | |
|------------|--------------------------|
| DI-08F2-05 | DIN PLUG 8P (F) LOCK 裝配式 |
| DI-07F2-05 | DIN PLUG 7P (F) LOCK 裝配式 |
| DI-06F2-10 | DIN PLUG 6P (F) LOCK 裝配式 |
| DI-05F2-05 | DIN PLUG 5P (F) LOCK 裝配式 |
| DI-04F2-09 | DIN PLUG 4P (F) LOCK 裝配式 |
| DI-03F2-02 | DIN PLUG 3P (F) LOCK 裝配式 |
| P/N | |

| | | | | | | | | | | | | | | |
|-------|------------|-------|---------|-------|-----|--|--|--|----------|-------------|---------|--------|---------|---|
| DRAWN | Mark Kao | APP'D | Ku Chou | UNIT | mm | TOLERANCE | | 广东科斯达电子科技有限公司 GUANG DONG KE SI DA ELECTRONIC TECHNOLOGY CO., LTD. | TITLE | SEE TABLE A | | | SHEET | 2 |
| CHK'D | Emily Suen | | | SCALE | 1:1 | .x ±0.20 .xx ±0.10 .xxx ±0.05 .xxxx ±0.03 ANGULA ±1° | | | PART NO. | SEE TABLE A | DWG NO. | QC6082 | VERSION | 3 |