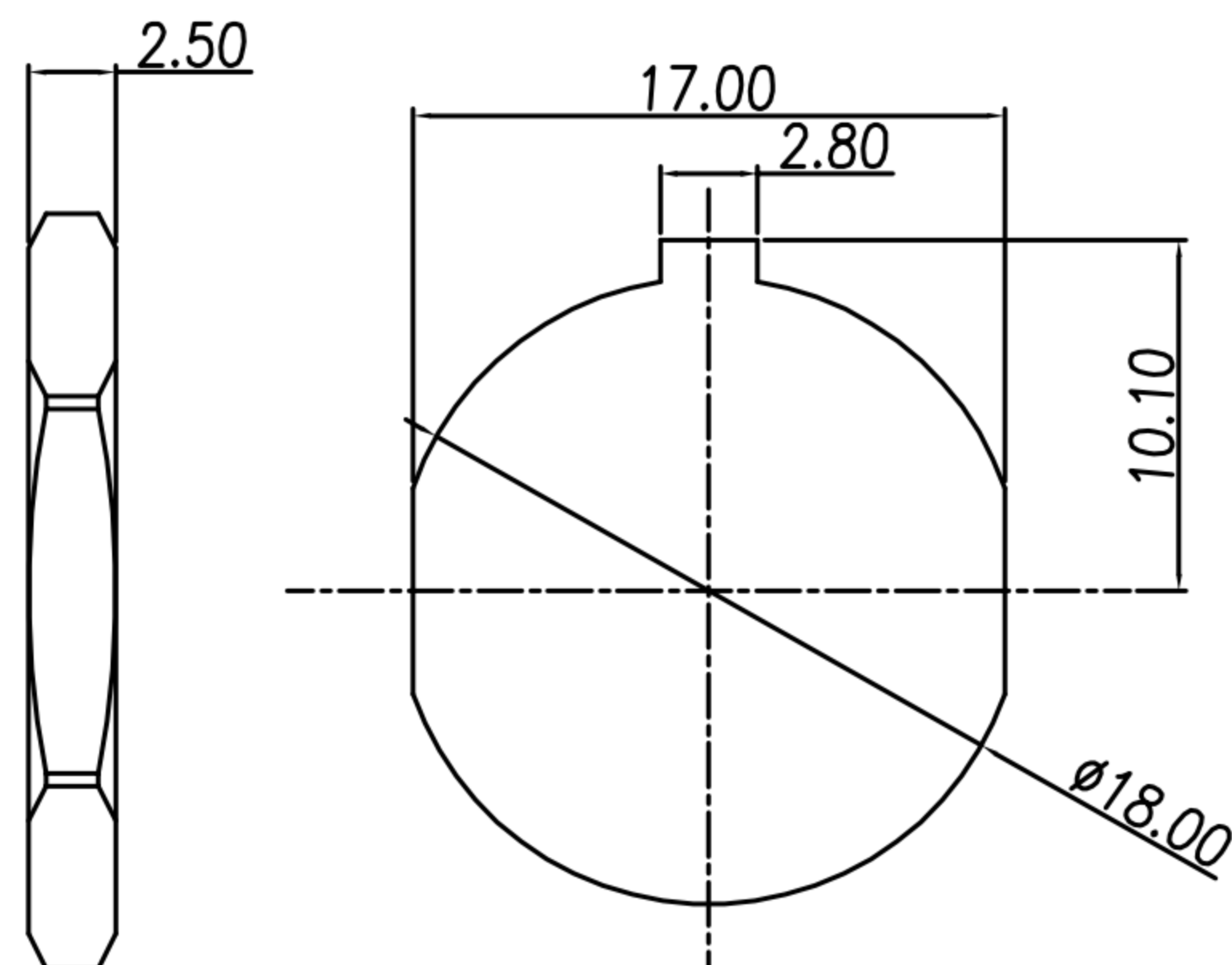
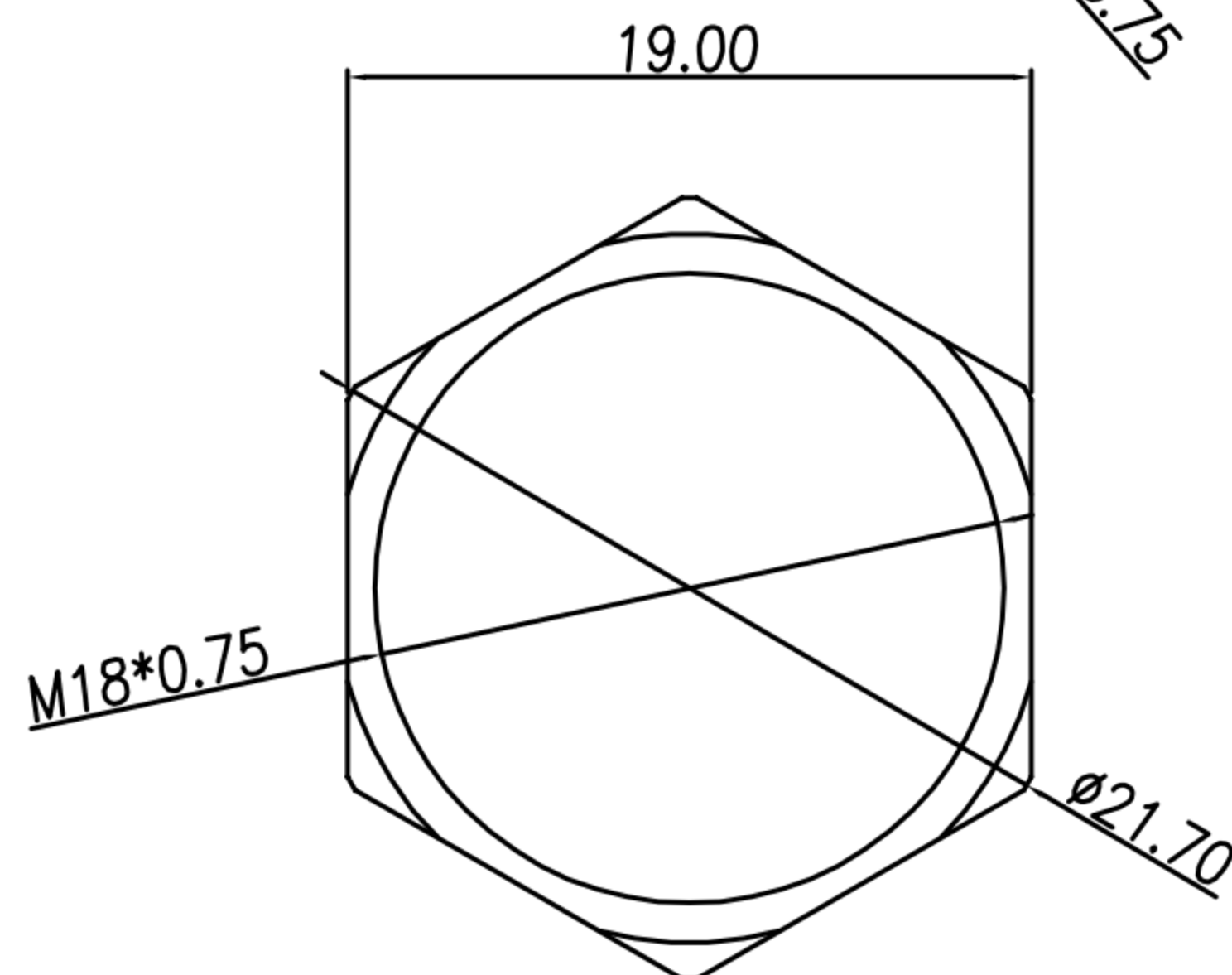
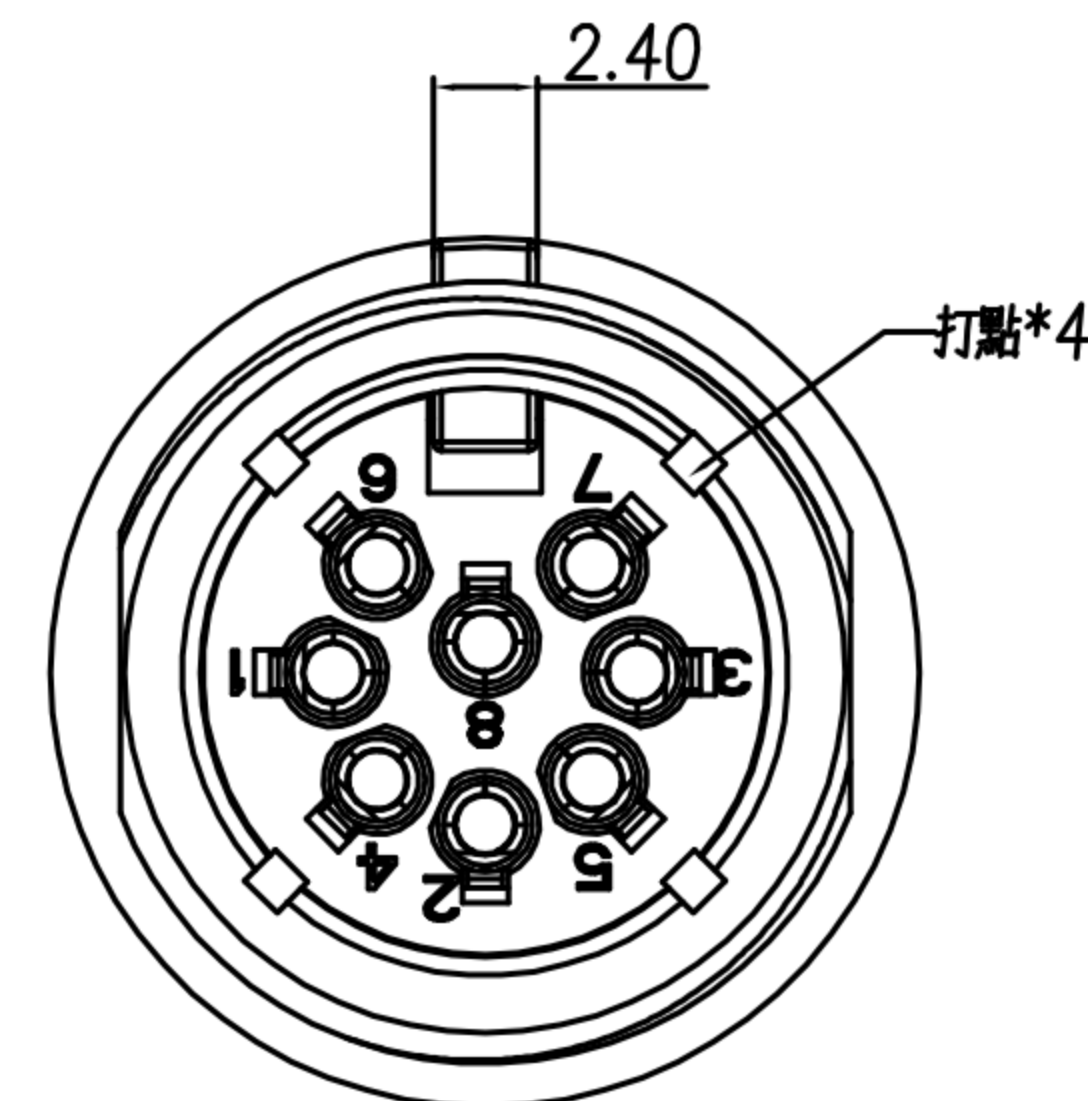
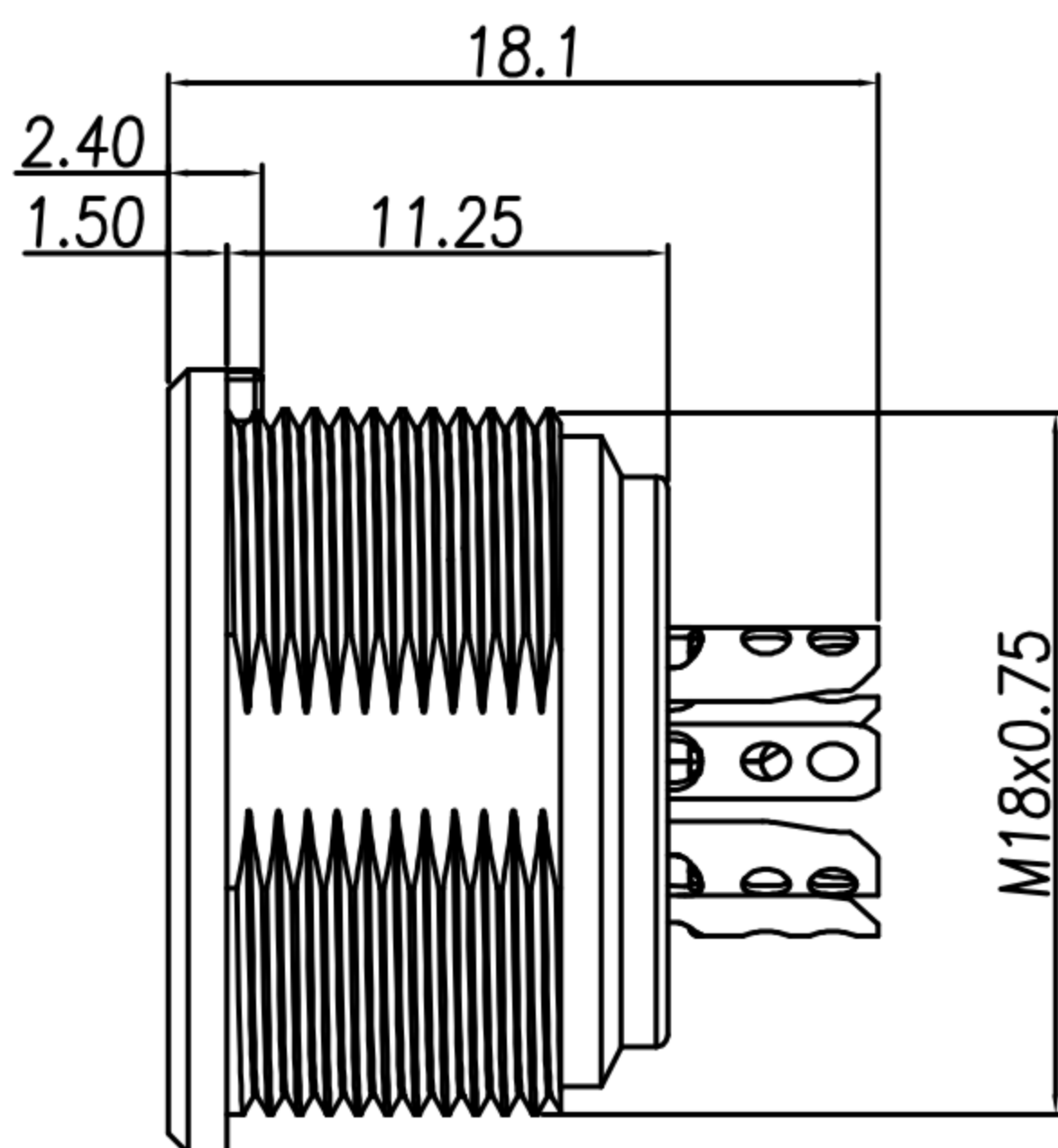
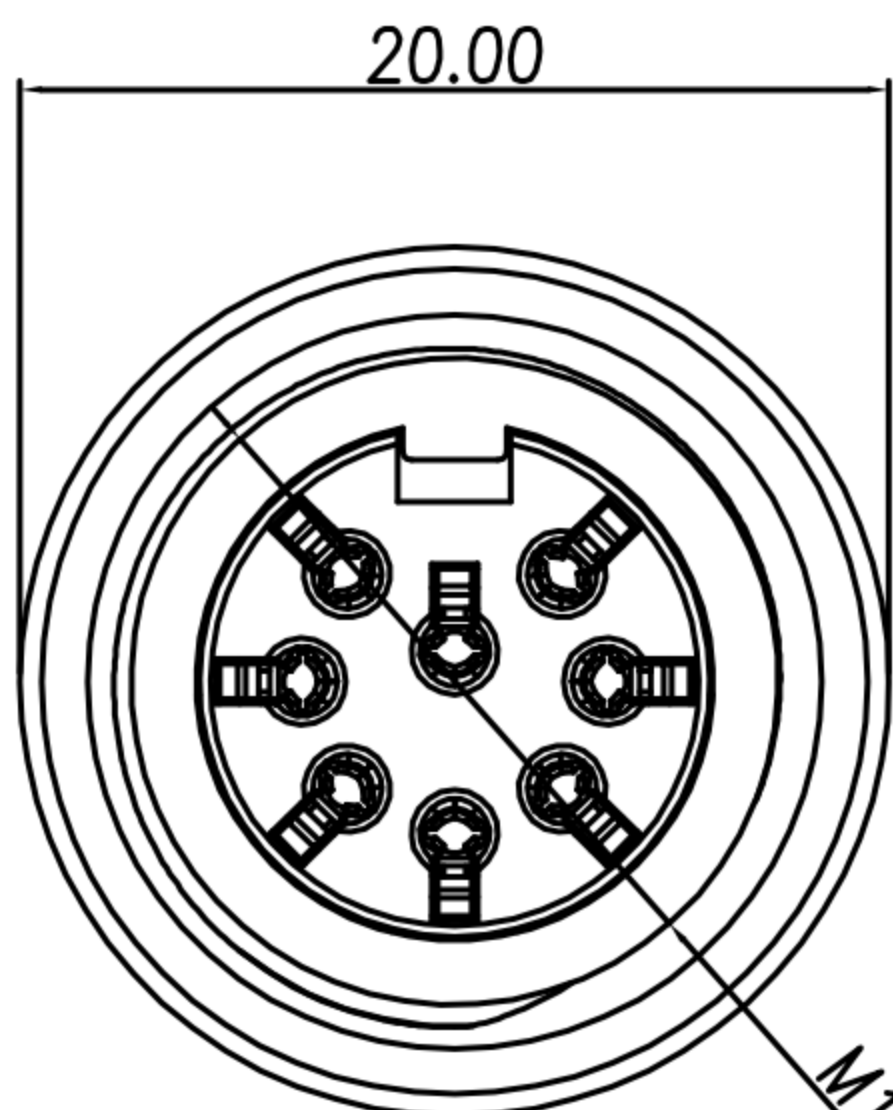


CUSTOMER DRAWING

| REV. | DESCRIPTION | APPVL. BY | DATE | ECN NO. |
|------|--------------|-----------|------------|---------|
| A | RELEASE | Yeh Chou | | |
| B | ADD PART NO. | KU | 2019/03/13 | |
| C | 新增機殼 | LED | 2020/07/30 | |



- MATERIAL :
 - 1-1. HOUSING : NYLON UL94V-0 ; COLOR : BLACK
 - 1-2. CONTACT : PHOSPHOR BRONZE
 - 1-3. SHELL : Zn ALLOY
 - 1-4. NUT : BRASS
- FINISH :
 - 2-1. CONTACT : GOLD FLASH MICRO INCHES MIN.
 - 2-2. NUT : NICKEL PLTAEED.
 - 2-3. SHELL : NICKEL PLTAEED.
- ELECTRICAL SPECIFICATION :
 - 3-1. Rated current(40°C): 5A
 - 3-2. Rated Voltage : 250V
- Environmental :
 - 4-1. Operation Temperature : -40°C~85°C

NUT

Panel Cut-Out

| Diagram | Diagram | Diagram | Diagram | Diagram | Diagram | Diagram | Diagram |
|---------------|---------------|---------------|---------------|---------------|---------------|---------------|---------------|
| | | | | | | | |
| DI-03F2-11-11 | DI-04F2-17-11 | DI-05F2-14-11 | DI-05F2-22-11 | DI-06F2-21-11 | DI-07F2-21-11 | DI-07F2-14-11 | DI-08F2-14-11 |

| | | | | | | | | | | | | | | |
|-------|----------|-------|---------|-----------|--|-----------|--|--|-------------|--|--------|---------|-------|---|
| DRAWN | Yeh Chou | APP'D | Ku Chou | UNIT | mm | TOLERANCE | | 广东科斯达电子科技有限公司 GUANG DONG KE SI DA ELECTRONIC TECHNOLOGY CO., LTD. | TITLE | Din 8P Female screw locking rear mounting Hex nuts | | | SHEET | 1 |
| CHK'D | Ku Chou | SCALE | 1:1 | TOLERANCE | .x ±0.20 .xx ±0.10 .xxx ±0.05 .xxxx ±0.03 ANGULA ±1° | PART NO. | | | SEE TABLE A | DWG NO. | QC7930 | VERSION | C | |