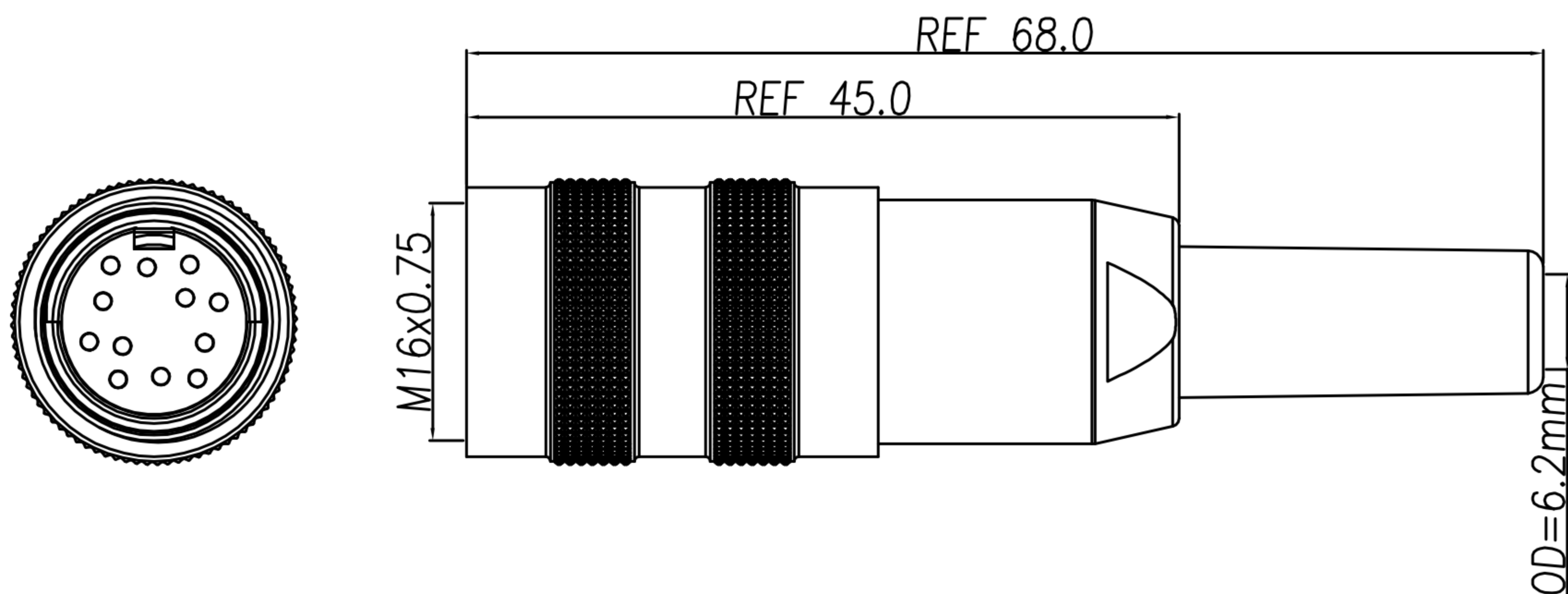


CUSTOMER DRAWING

REV.	DESCRIPTION	APPROVED BY	DATE	ECN NO.
△A	RELEASE	Emily Suen	02/09/19*	
△B				
△C				



1. MATERIAL :
 - 1-1. HOUSING : NYLON UL94V-0 ; COLOR : BLACK
 - 1-2. CONTACT : 3~8PIN PHOSPHOR BRONZE;12PIN BRASS
 - 1-3. CAP : ZINC ALLOY
 - 1-4. CLAMPS BODY : ZINC ALLOY
 - 1-5. SCREW : SPCC
 - 1-6. CLAMPS : ZINC ALLOY
 - 1-7. ISOLATION : PVC
 - 1-8. COAT : BRASS
 - 1-9. BACK BODY : NYLON+GF15% UL94V-0;COLOR
 - 1-10. SR : PVC
2. FINISH :
 - 2-1. CONTACT : 3~8PIN:
 - CONTACT AREA : GOLD FLASH PLATING
 - SOLDER AREA : TIN
 - UNDER PLATE : NICKEL
 - 12PIN:
 - CONTACT : GOLD FLASH PLATED
 - 2-2. CAP : NICKEL PLATED
 - 2-3. CLAMPS : NICKEL PLATED
 - 2-4. CLAMPS BODY : NICKEL PLATED
 - 2-5. SCREW : NICKEL PLATED
 - 2-6. COAT : NICKEL PLATED
3. ELECTRICAL SPECIFICATION :
 - 3-1. Rated current : 3PIN~8PIN 5A ; 12PIN 3A
 - 3-2. Rated Voltage : 3PIN~8PIN 250V ;12PIN 60V
 - 3-3. Water proof : IP40
4. Environmental :
 - 4-1. Operation Temperature : -20 ℃~85℃

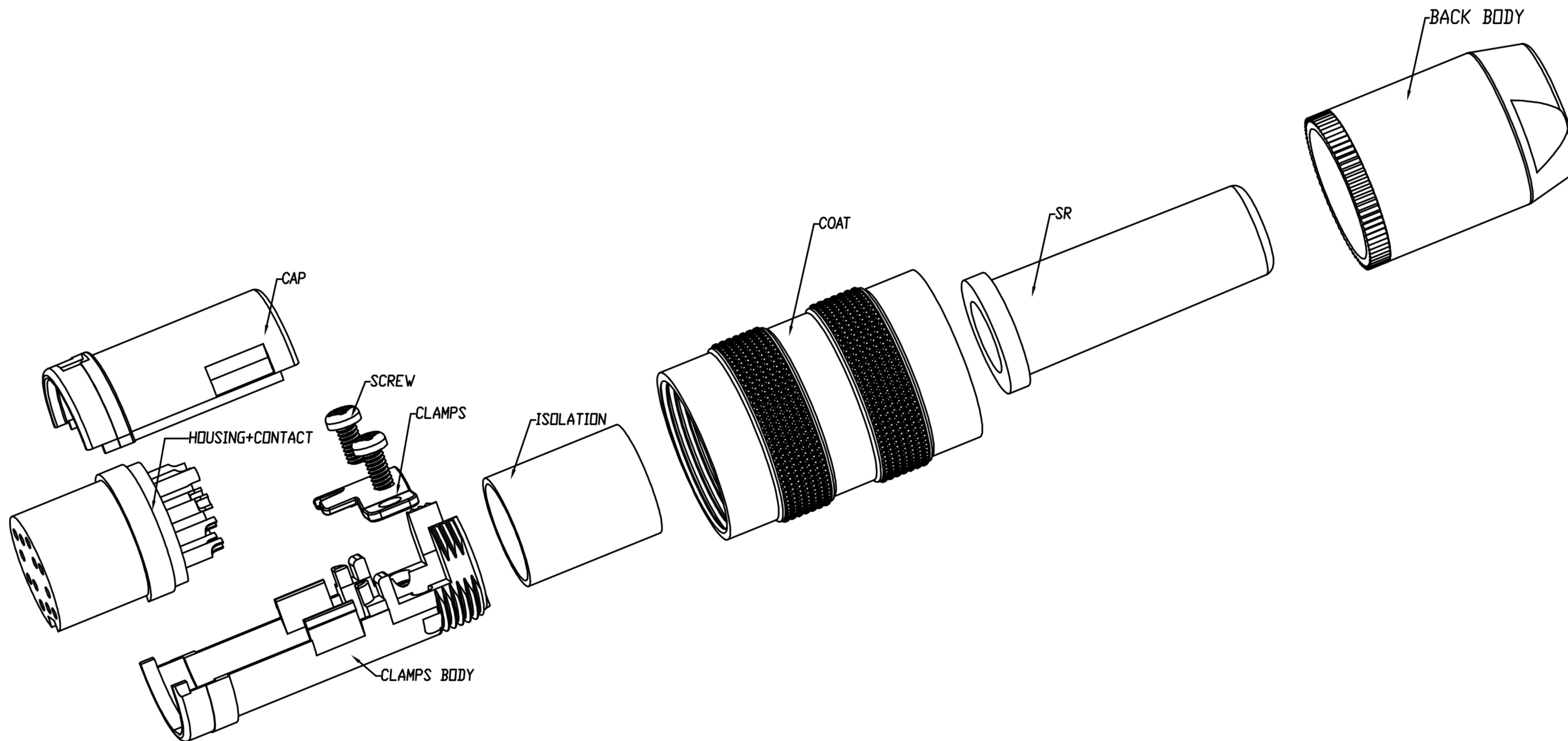
DI-03F2-15-11	DI-04F2-21-11	DI-05F2-18-11	DI-05F2-20-11	DI-06F2-26-11	DI-07F2-18-11	DI-07F2-25-11	DI-08F2-16-11	DI-12F2-15-11

DRAWN	LED	APP'D	Ku Chou	UNIT	mm	TOLERANCE			广东科斯达电子科技有限公司 GUANG DONG KE SI DA ELECTRONIC TECHNOLOGY CO., LTD.	TITLE	DIN (F) Assembly type(端子表)(OD6mm)			SHEET
CHK'D	Emily Suen			SCALE	1:1	.x ±0.20 .xx ±0.10 .xxx ±0.05 .xxxx ±0.03 ANGULA ±1°				PART NO.	SEE TABLE A	DWG NO.	QC9383	VERSION

CUSTOMER DRAWING

REV.	DESCRIPTION	APPROVED BY	DATE	ECN NO.
△A	RELEASE	Emily Suen	02/09/19*	
△B				
△C				

ASSEMBLY INSTRUCTION



DRAWN	LED	APP'D	Ku Chou	UNIT	mm	TOLERANCE		广东科斯达电子科技有限公司 GUANG DONG KE SI DA ELECTRONIC TECHNOLOGY CO., LTD.	TITLE	DIN (F) Assembly type(端子金)(OD6mm)			SHEET	2
CHK'D	Emily Suen			SCALE	1:1	.x ±0.20 .xx ±0.10 .xxx ±0.05 .xxxx ±0.03 ANGULA ±1°			PART NO.	SEE TABLE A	DWG NO.	QC9383	VERSION	3