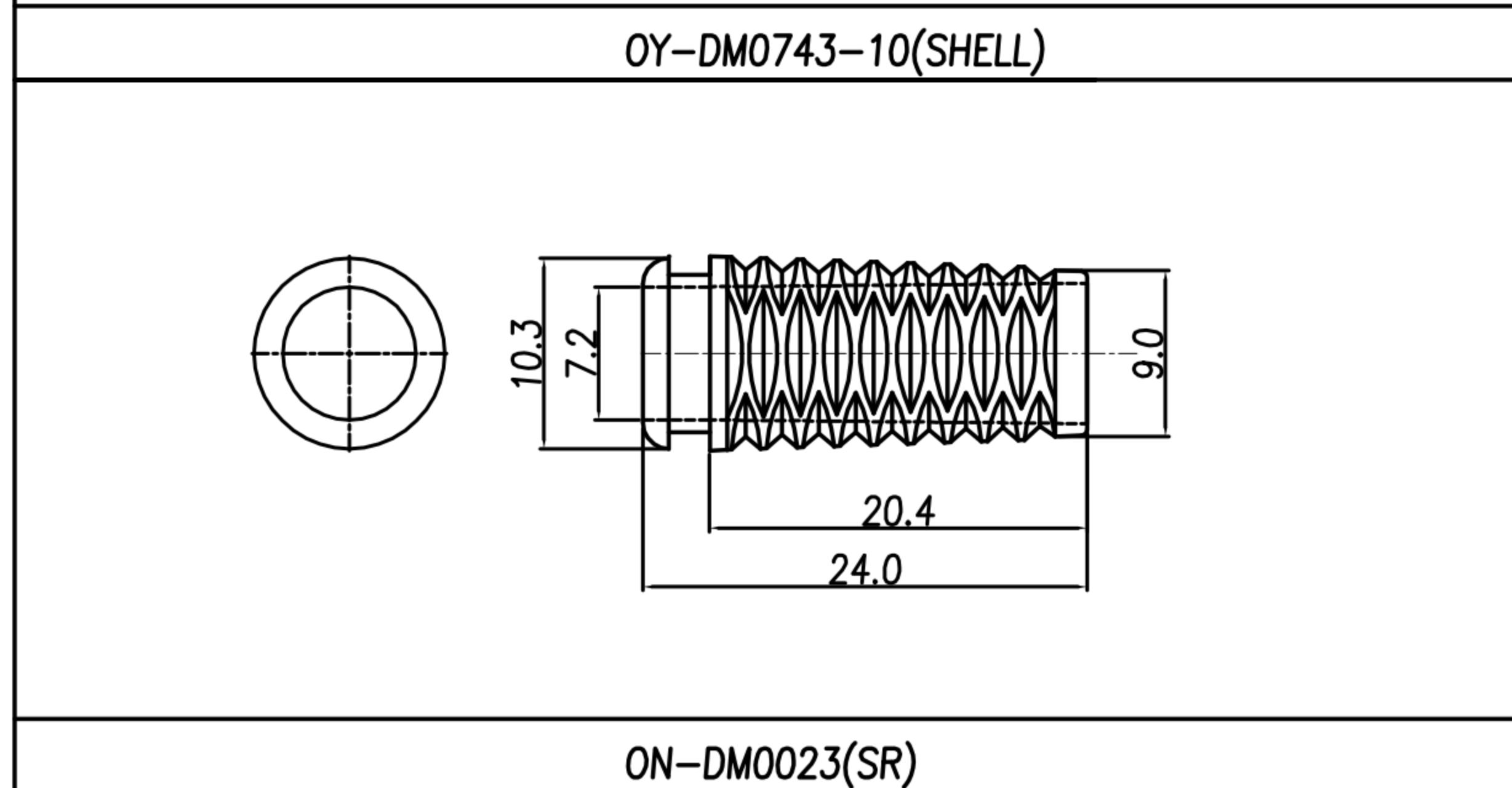
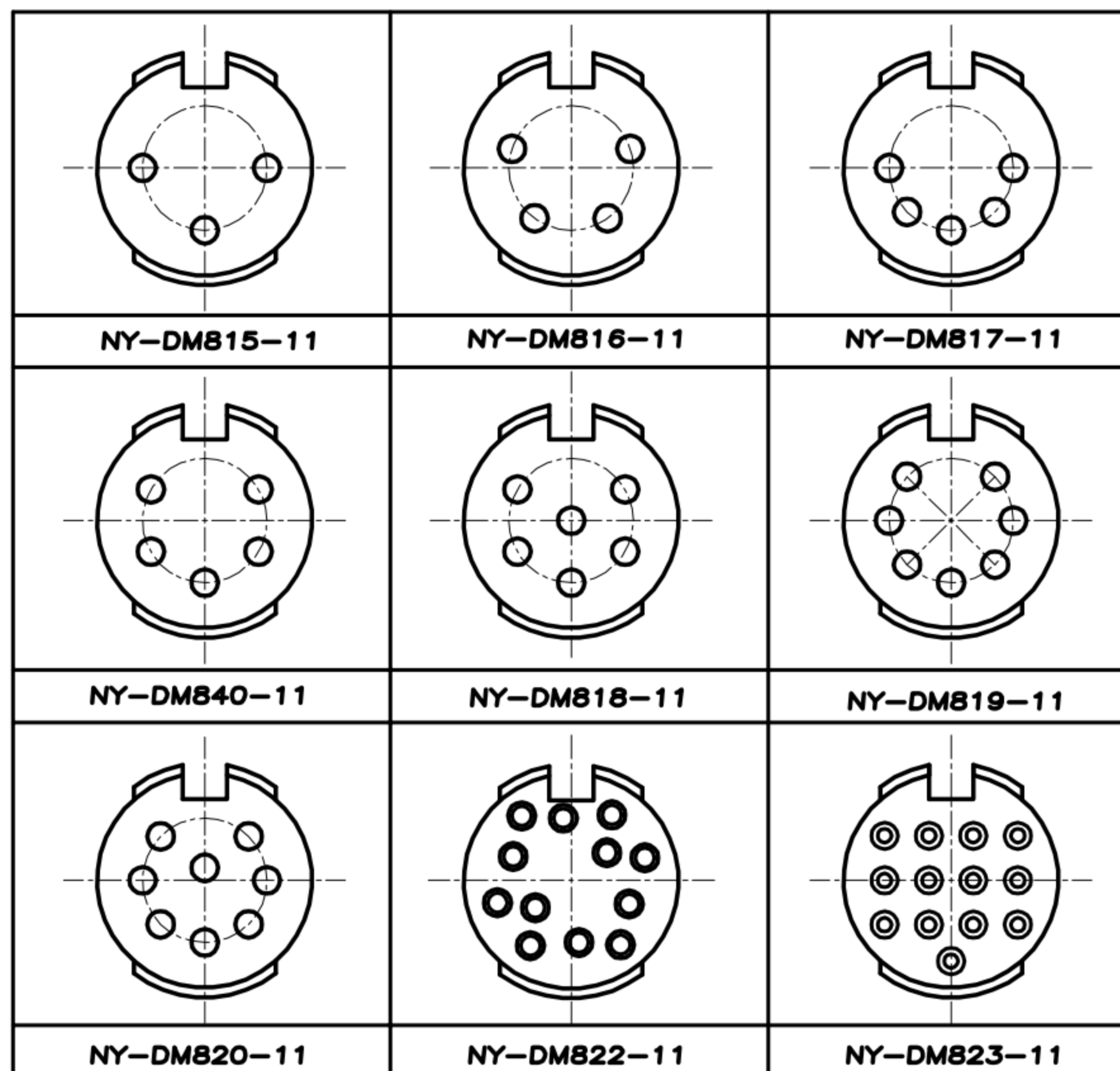
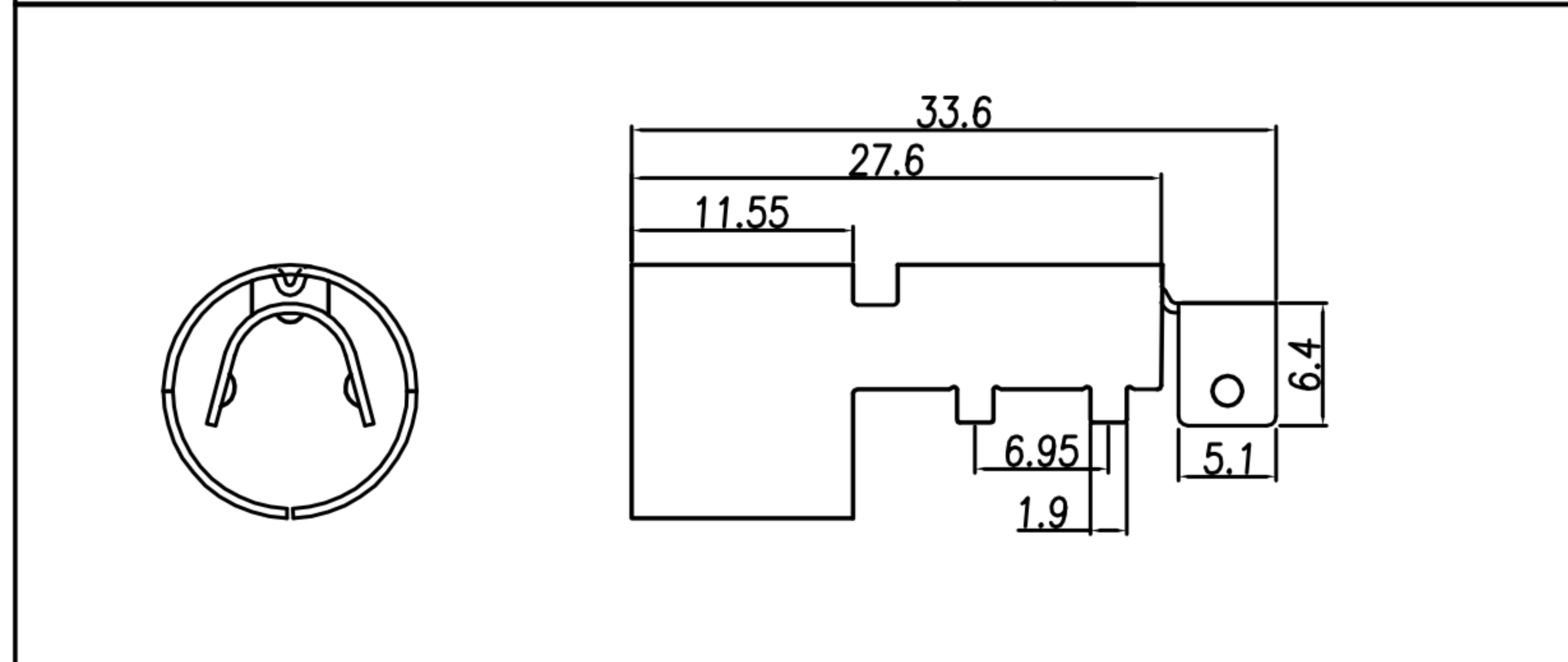
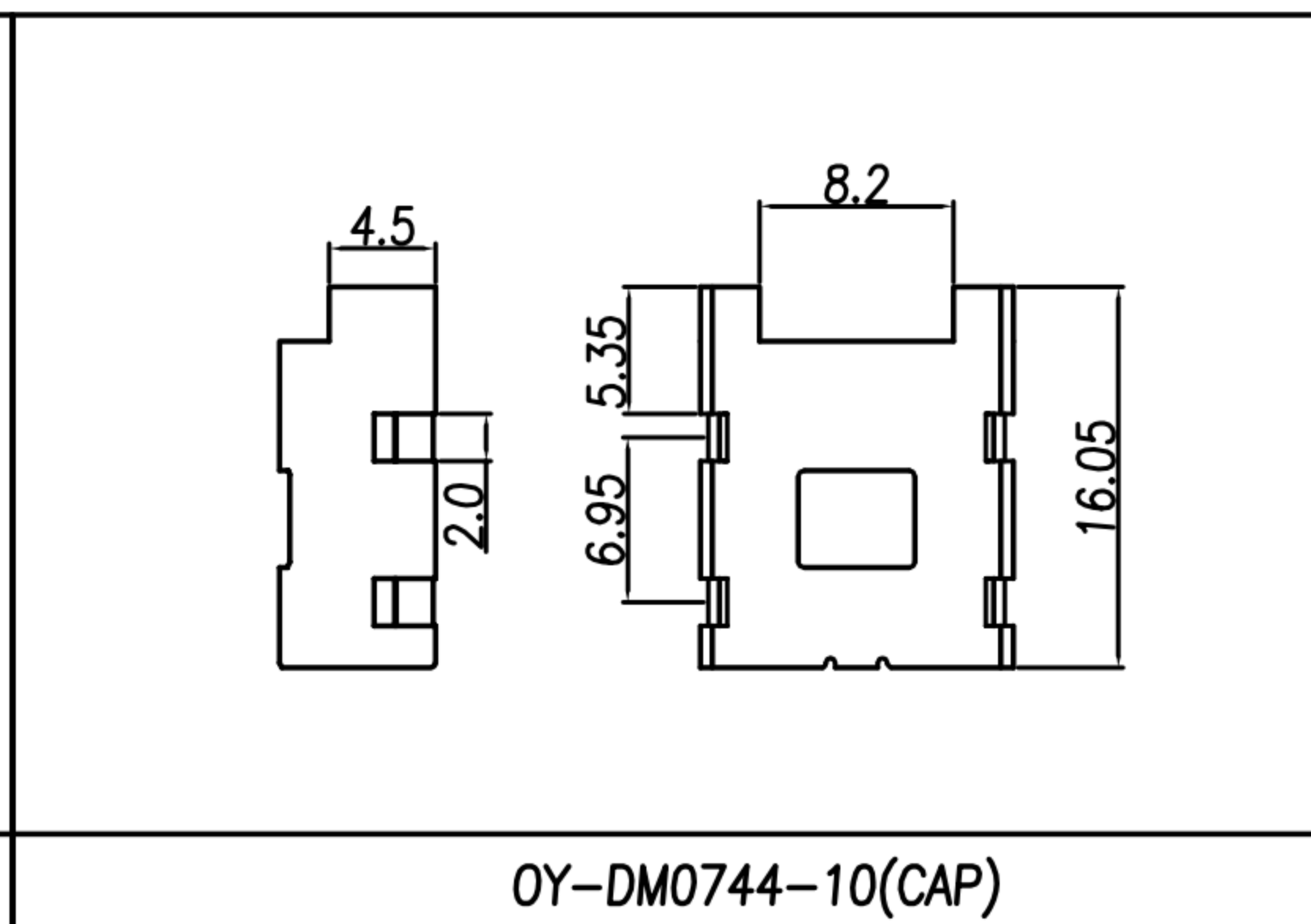
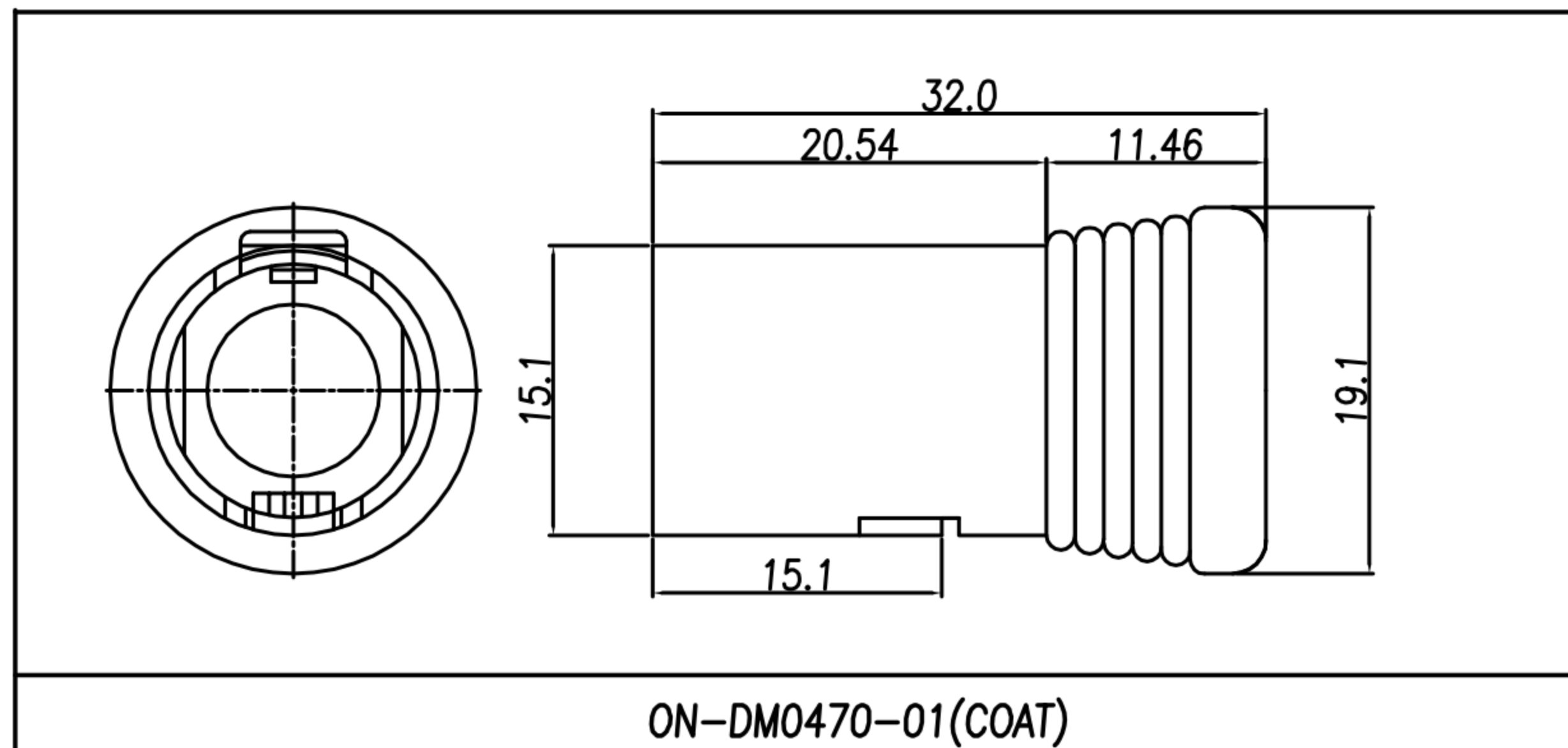


CUSTOMER DRAWING

| REV. | DESCRIPTION | APPROVED BY | DATE | ECN NO. |
|------|-------------|-------------|-----------|---------|
| A | RELEASE | Fido Weng | 06/08/09* | |
| B | | | | |
| C | | | | |

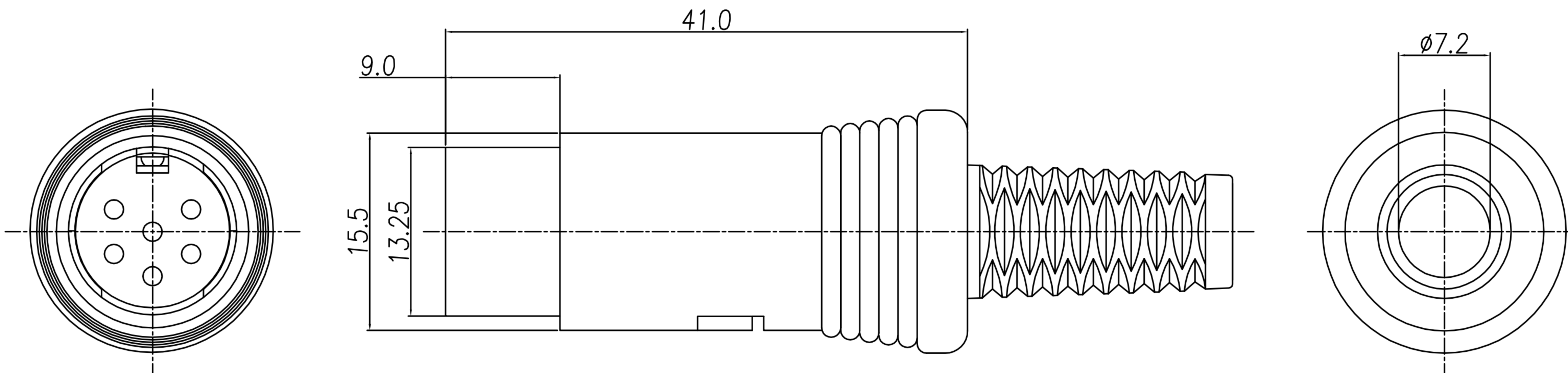
- MATERIAL :
 - 1-1. HOUSING :PA66+15%GF ; COLOR : BLACK.
 - 1-2. CONTACT : BRASS
 - 1-3. SHELL : K7
 - 1-4. CAP : K7
 - 1-5. COAT : PA66+15%GF ; COLOR : BLACK.
 - 1-6. SR : PVC ; COLOR : BLACK.
- FINISH :
 - 2-1. CONTACT : NICKEL PLATING
 - 2-2. SHELL : NICKEL PLATED
 - 2-3. COVER : NICKEL PLATED



| | | | | | | | | | | | | | | |
|-------|------------|-------|------------|-------|-----|--|--|--|----------|------------------|---------|--------|---------|-----|
| DRAWN | Angus LAI | APP'D | Emily Suen | UNIT | mm | TOLERANCE | | 广东科斯达电子科技有限公司 GUANG DONG KE SI DA ELECTRONIC TECHNOLOGY CO., LTD. | TITLE | DIN PLUG (M) 装配式 | | | SHEET | 3/3 |
| CHK'D | Emily Suen | | | SCALE | 1:1 | .x ±0.20 .xx ±0.10 .xxx ±0.05 .xxxx ±0.03 ANGULA ±1° | | | PART NO. | SEE TABLE A | DWG NO. | QC7568 | VERSION | A |

CUSTOMER DRAWING

| REV. | DESCRIPTION | APPROVED BY | DATE | ECN NO. |
|------|-------------|-------------|-----------|---------|
| A | RELEASE | Fido Weng | 06/08/09* | |
| B | | | | |
| C | | | | |



1. MATERIAL :
 - 1-1. HOUSING : PA66+15%GF ; COLOR : BLACK.
 - 1-2. CONTACT : BRASS
 - 1-3. SHELL : K7
 - 1-4. CAP : K7
 - 1-5. COAT : PA66+15%GF ; COLOR : BLACK.
 - 1-6. SR : PVC ; COLOR : BLACK.
2. FINISH :
 - 2-1. CONTACT : NICKEL PLATING
 - 2-2. SHELL : NICKEL PLATED
 - 2-3. COVER : NICKEL PLATED
3. ELECTRICAL SPECIFICATION :
 - 3-1. Rated current: 3PIN~8PIN 5A ; 12PIN~13PIN 3A
 - 3-2. Rated Voltage : 3PIN~8PIN 250V ; 12PIN~13PIN 60V

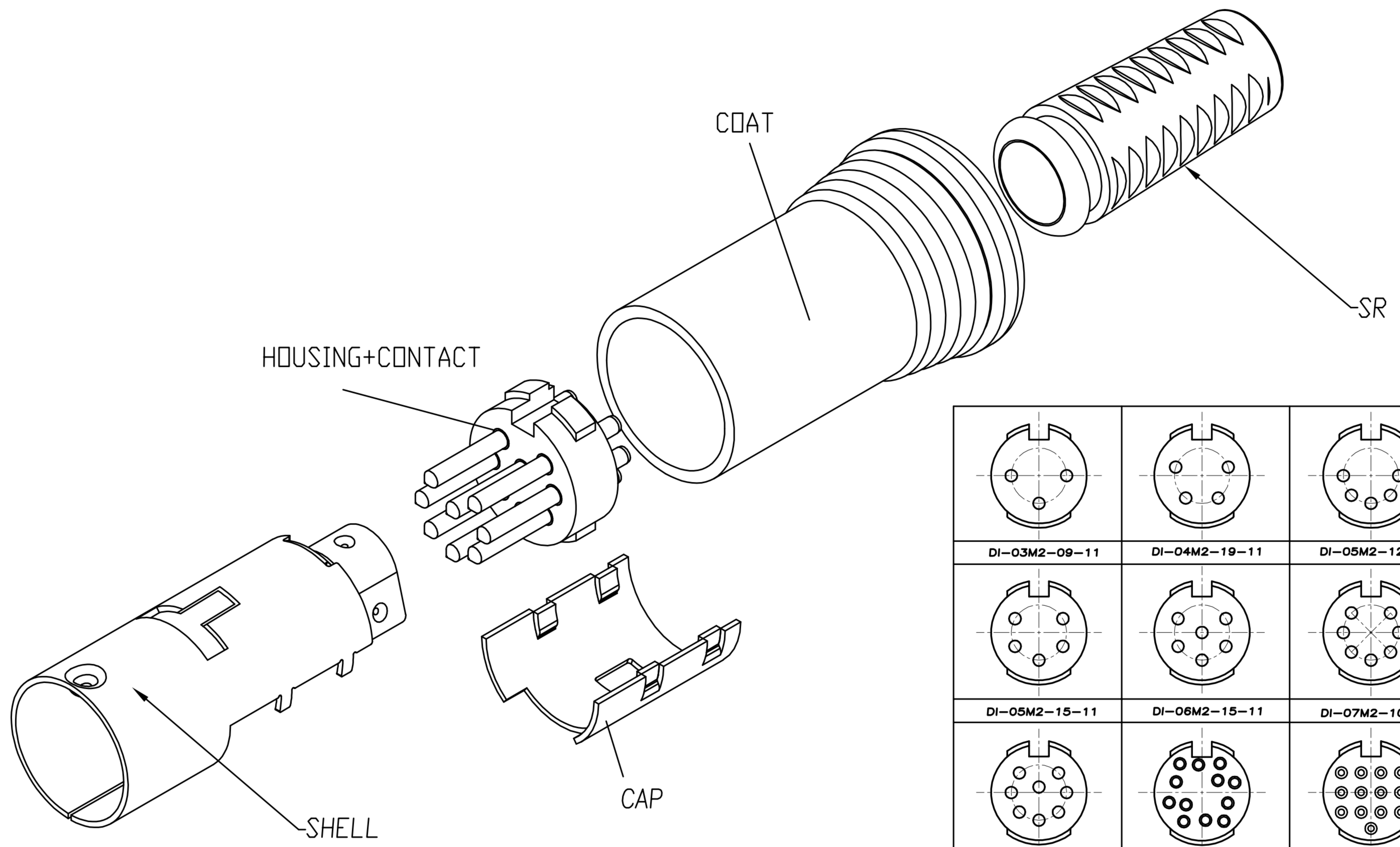
| | | |
|---------------|---------------|---------------|
| | | |
| DI-03M2-09-11 | DI-04M2-19-11 | DI-05M2-12-11 |
| | | |
| DI-05M2-15-11 | DI-06M2-15-11 | DI-07M2-10-11 |
| | | |
| DI-08M2-17-11 | DI-12M2-12-11 | DI-13M2-10-11 |

| | | | | | | | | | | | | | | |
|-------|------------|-------|------------|-------|-----|--|--|--|----------|-----------------|---------|--------|-------|-------------------|
| DRAWN | Angus LAI | APP'D | Emily Suen | UNIT | mm | TOLERANCE | | 广东科斯达电子科技有限公司 GUANG DONG KE SI DA ELECTRONIC TECHNOLOGY CO., LTD. | TITLE | DIN PLUG (M) 插头 | | | SHEET | 3 VERSION A |
| CHK'D | Emily Suen | | | SCALE | 1:1 | .x ±0.20 .xx ±0.10 .xxx ±0.05 .xxxx ±0.03 ANGULA ±1' | | | PART NO. | SEE TABLE A | DWG NO. | QC7568 | | |

A B C D E F

CUSTOMER DRAWING

| REV. | DESCRIPTION | APPROVED BY | DATE | ECN NO. |
|------|-------------|-------------|-----------|---------|
| △A | RELEASE | Fido Weng | 06/08/09* | |
| △B | | | | |
| △C | | | | |



| | | |
|---------------|---------------|---------------|
| | | |
| DI-03M2-09-11 | DI-04M2-19-11 | DI-05M2-12-11 |
| | | |
| DI-05M2-15-11 | DI-06M2-15-11 | DI-07M2-10-11 |
| | | |
| DI-08M2-17-11 | DI-12M2-12-11 | DI-13M2-10-11 |

| | | | | | | | | | | | | | | |
|-------|------------|-------|------------|-------|-----|--|--|--|----------|-----------------|---------|--------|---------|---|
| DRAWN | Angus LAI | APP'D | Emily Suen | UNIT | mm | TOLERANCE | | 广东科斯达电子科技有限公司 GUANG DONG KE SI DA ELECTRONIC TECHNOLOGY CO., LTD. | TITLE | DIN PLUG (M) 插头 | | | SHEET | 2 |
| CHK'D | Emily Suen | | | SCALE | 1:1 | .x ±0.20 .xx ±0.10 .xxx ±0.05 .xxxx ±0.03 ANGULA ±1° | | | PART NO. | SEE TABLE A | DWG NO. | QC7568 | VERSION | A |