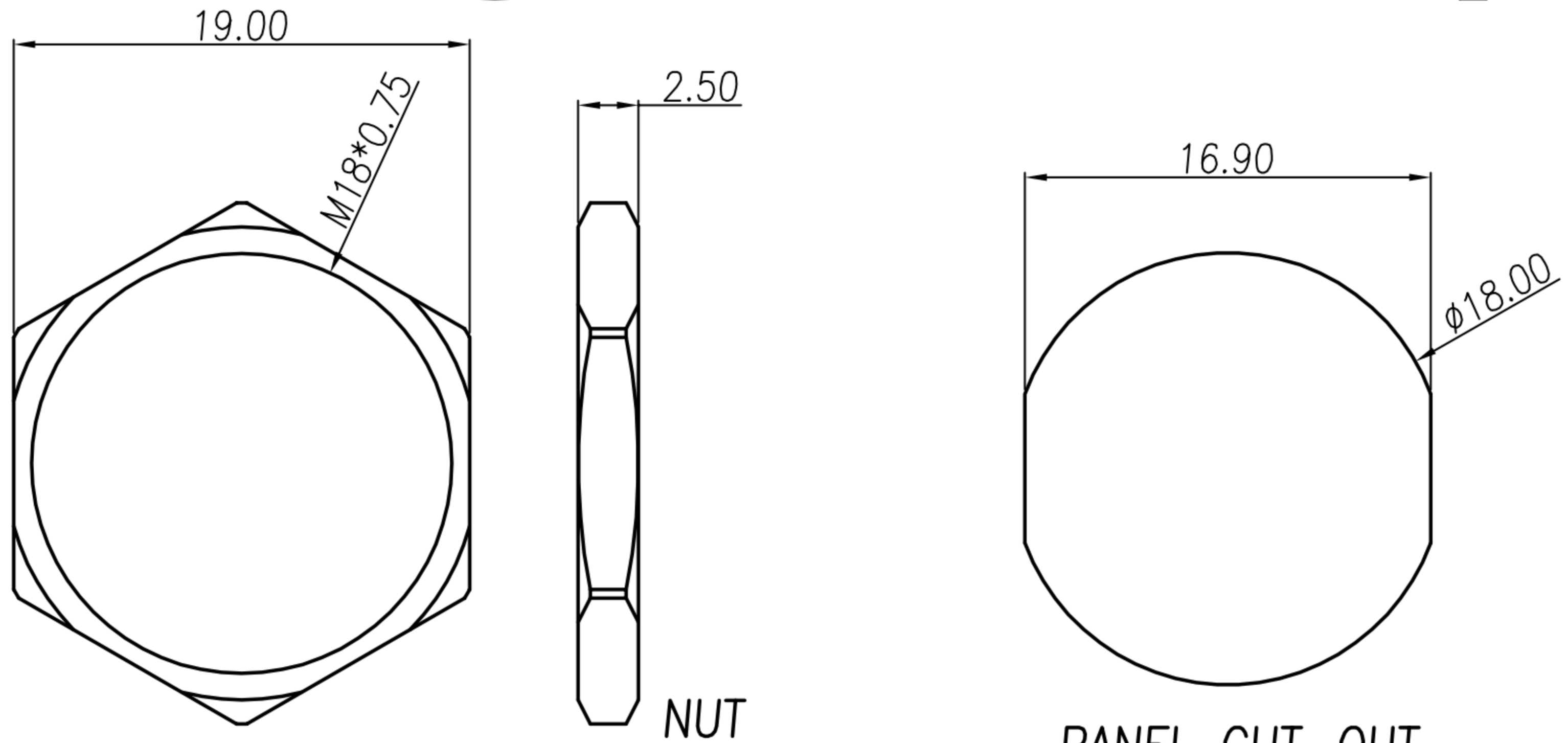
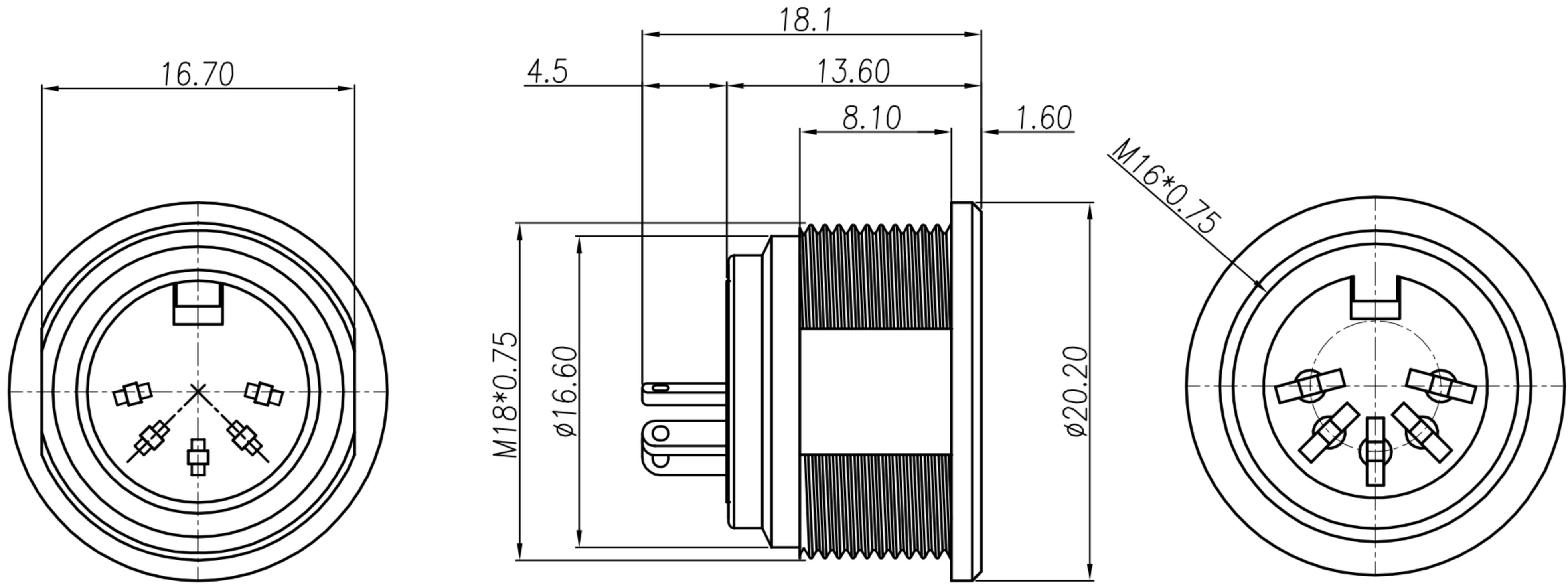


# CUSTOMER DRAWING

| REV. | DESCRIPTION | APPVL. BY | DATE      | ECN NO. |
|------|-------------|-----------|-----------|---------|
| A    | RELEASE     | Fido Weng | 05/09/16" |         |
| B    |             |           |           |         |
| C    |             |           |           |         |



**NOTE**

1. MATERIAL :
  - 1-1. HOUSING : PBT UL94V-0 ; COLOR : BLACK
  - 1-2. CONTACT : BRASS.
  - 1-3. SHELL : BRASS
  - 1-4. NUT : BRASS
2. FINISH :
  - 2-1. CONTACT : SILVER PLATED.
  - 2-2. SHELL : NICKEL PLATED.
  - 2-3. NUT : NICKEL PLATED.
3. ELECTRICAL SPECIFICATION :
  - 3-1. Rated current : 5A
  - 3-2. Rated Voltage : 250V
4. Environmental :
  - 4-1. Operation Temperature : -25℃~85℃

**TABLE A**

|               |               |               |               |               |               |
|---------------|---------------|---------------|---------------|---------------|---------------|
|               |               |               |               |               |               |
| DI-03F2-08-11 | DI-04F2-16-11 | DI-05F2-11-11 | DI-06F2-19-11 | DI-07F2-10-11 | DI-08F2-10-11 |

|       |            |       |            |       |     |  |  |  |          |                               |         |        |         |   |
|-------|------------|-------|------------|-------|-----|--|--|--|----------|-------------------------------|---------|--------|---------|---|
| DRAW  | Lai Angus  | APPVL | Emily Suen | UNIT  | mm  | TOLERANCE  |  | 广东科斯达电子科技有限公司<br>GUANG DONG KE SI DA ELECTRONIC TECHNOLOGY CO., LTD. | TITLE    | DIN M16X0.75 (F) 後鎖螺絲式(魚叉式端子) |         |        | SHEET   | + |
| CHECK | Emily Suen |       |            | SCALE | 1:1 | .x ±0.20<br>.xx ±0.10<br>.xxx ±0.05<br>.xxxx ±0.03<br>ANGULA ±1° |  |  | PART NO. | SEE TABLE A                   | DWG NO. | QC7583 | VERSION | A |