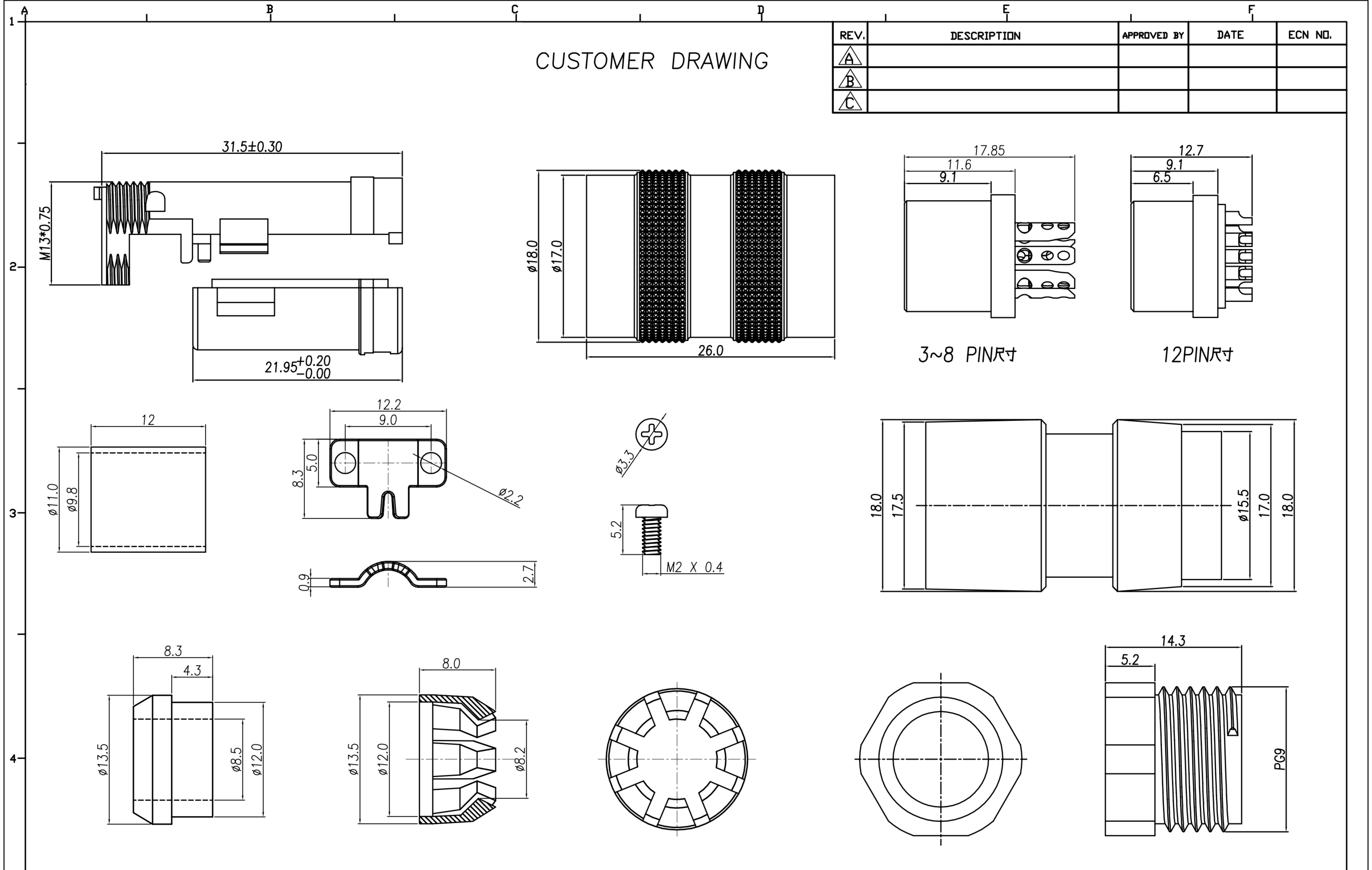


CUSTOMER DRAWING

| REV. | DESCRIPTION | APPROVED BY | DATE | ECN NO. |
|------|-------------|-------------|------|---------|
| △A   |             |             |      |         |
| △B   |             |             |      |         |
| △C   |             |             |      |         |

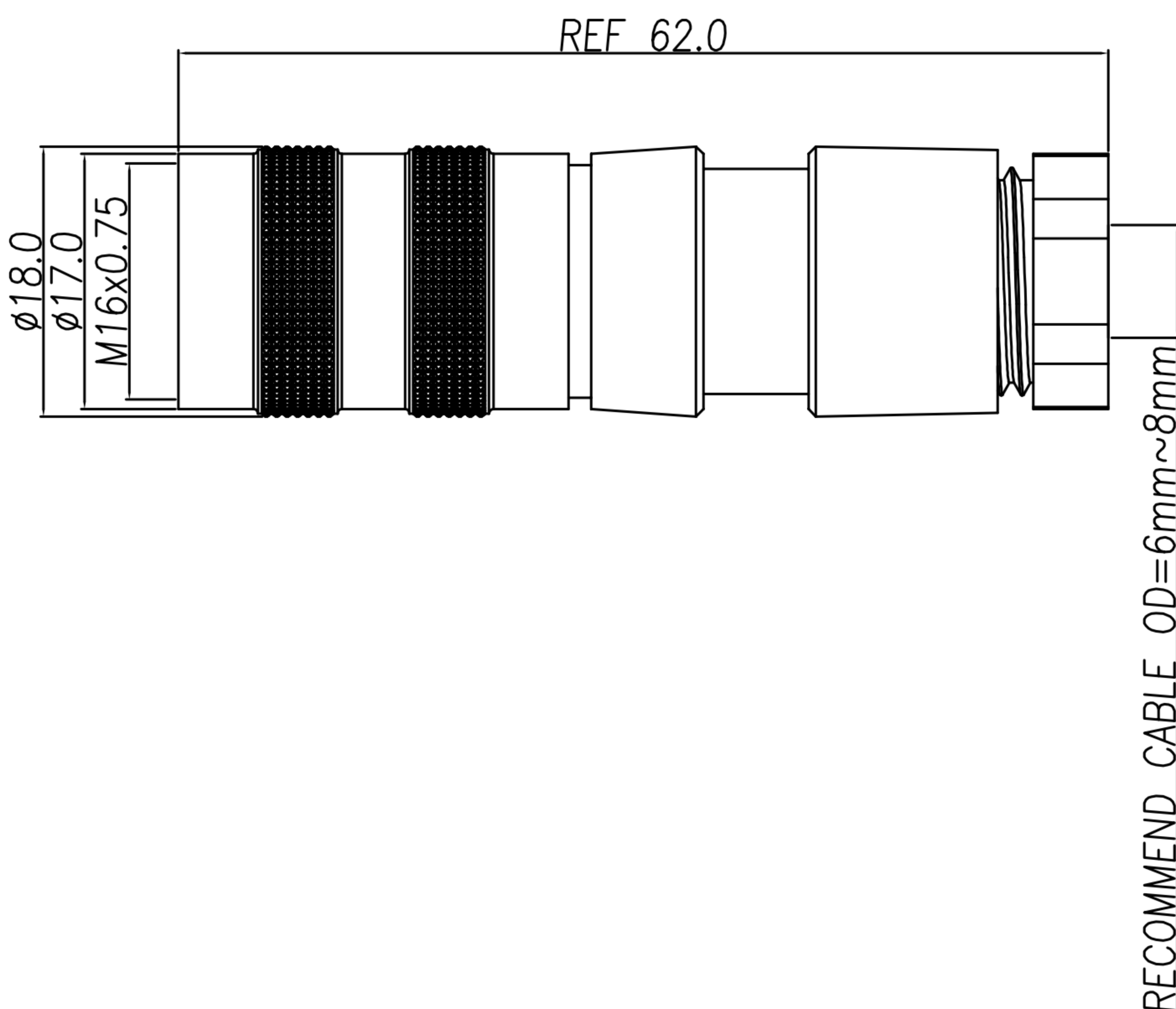
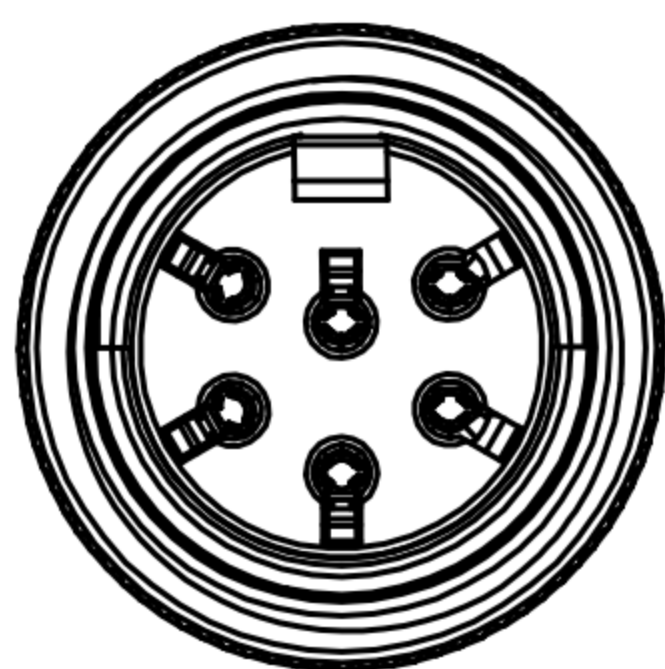


|       |            |       |         |       |     |  |  |  |          |                       |         |        |         |
|-------|------------|-------|---------|-------|-----|--|--|--|----------|-----------------------|---------|--------|---------|
| DRAWN | LED        | APP'D | Ku Chou | UNIT  | mm  | TOLERANCE  |  | 广东科斯达电子科技有限公司<br>GUANG DONG KE SI DA ELECTRONIC TECHNOLOGY CO., LTD. | TITLE    | DIN (F) Assembly type |         |        | SHEET   |
| CHK'D | Emily Suen |       |         | SCALE | 1:1 | .x ±0.20<br>.xx ±0.10<br>.xxx ±0.05<br>.xxxx ±0.03<br>ANGULA ±1° |  |  | PART NO. | SEE TABLE A           | DWG NO. | QC9187 | VERSION |

3/3  
A

# CUSTOMER DRAWING

| REV. | DESCRIPTION | APPROVED BY | DATE | ECN NO. |
|------|-------------|-------------|------|---------|
| △A   |             |             |      |         |
| △B   |             |             |      |         |
| △C   |             |             |      |         |



- MATERIAL :**
  - 1-1. HOUSING : NYLON UL94V-0 ; COLOR : BLACK
  - 1-2. CONTACT : 3~8PIN PHOSPHOR BRONZE;12PIN BRASS
  - 1-3. ISOLATION : PVC
  - 1-4. CAP : ZINC ALLOY
  - 1-5. CLAMPS : ZINC ALLOY
  - 1-6. CLAMPS BODY : ZINC ALLOY
  - 1-7. SCREW : SPCC
  - 1-8. COAT : BRASS
  - 1-9. BACK BODY : NYLON+GF15% UL94V-0;COLOR :BLACK
  - 1-10. GLAND : SILICONE COLOR : BLACK
  - 1-11. GLAND CAGE : POM ; COLOR : WHITE
  - 1-12. GLAND NUT : NYLON UL94V-0 ; COLOR : BLACK
- FINISH :**
  - 2-1. CONTACT : 3~8PIN:
    - CONTACT AREA : GOLD FLASH PLATING
    - SOLDER AREA : TIN
    - UNDER PLATE : NICKEL
  - 12PIN:
    - CONTACT : GOLD FLASH PLATED
  - 2-2. CAP: NICKEL PLATED
  - 2-3. CLAMPS : NICKEL PLATED
  - 2-4. CLAMPS BODY : NICKEL PLATED
  - 2-5. SCREW : NICKEL PLATED
  - 2-6. COAT: NICKEL PLATED
- ELECTRICAL SPECIFICATION :**
  - 3-1. Rated current :3PIN~8PIN 5A ; 12PIN 3A
  - 3-2. Rated Voltage :3PIN~8PIN 250V ;12PIN 60V
  - 3-3. Water proof : IP40
- Environmental :**
  - 4-1. Operation Temperature : -20 ℃~85℃

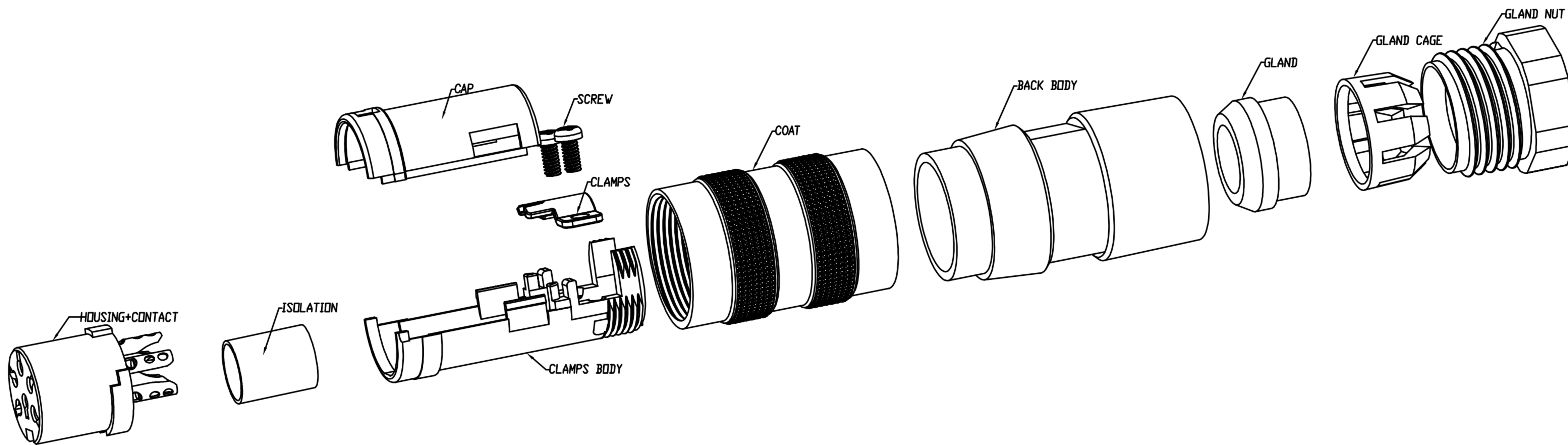
|               |               |               |               |               |               |               |               |               |
|---------------|---------------|---------------|---------------|---------------|---------------|---------------|---------------|---------------|
|               |               |               |               |               |               |               |               |               |
| DI-03F2-14-11 | DI-04F2-20-11 | DI-05F2-17-11 | DI-05F2-21-11 | DI-06F2-25-11 | DI-07F2-17-11 | DI-07F2-24-11 | DI-08F2-15-11 | DI-12F2-14-11 |

|       |            |       |         |       |     |  |  |  |          |                       |         |        |         |
|-------|------------|-------|---------|-------|-----|--|--|--|----------|-----------------------|---------|--------|---------|
| DRAWN | LED        | APP'D | Ku Chou | UNIT  | mm  | TOLERANCE  |  |  | TITLE    | DIN (F) Assembly type |         |        | SHEET   |
| CHK'D | Emily Suen |       |         | SCALE | 1:1 | .x ±0.20<br>.xx ±0.10<br>.xxx ±0.05<br>.xxxx ±0.03<br>ANGULA ±1° |  |  | PART NO. | SEE TABLE A           | DWG NO. | QC9187 | VERSION |

CUSTOMER DRAWING

| REV. | DESCRIPTION | APPROVED BY | DATE | ECN NO. |
|------|-------------|-------------|------|---------|
| △A   |             |             |      |         |
| △B   |             |             |      |         |
| △C   |             |             |      |         |

# ASSEMBLY INSTRUCTION



|       |            |       |         |       |     |  |  |  |          |                       |         |        |         |
|-------|------------|-------|---------|-------|-----|--|--|--|----------|-----------------------|---------|--------|---------|
| DRAWN | LED        | APP'D | Ku Chou | UNIT  | mm  | TOLERANCE  |  | 广东科斯达电子科技有限公司<br>GUANG DONG KE SI DA ELECTRONIC TECHNOLOGY CO., LTD. | TITLE    | DIN (F) Assembly type |         |        | SHEET   |
| CHK'D | Emily Suen |       |         | SCALE | 1:1 | .x ±0.20<br>.xx ±0.10<br>.xxx ±0.05<br>.xxxx ±0.03<br>ANGULA ±1° |  |  | PART NO. | SEE TABLE A           | DWG NO. | QC9187 | VERSION |

2  
3  
A