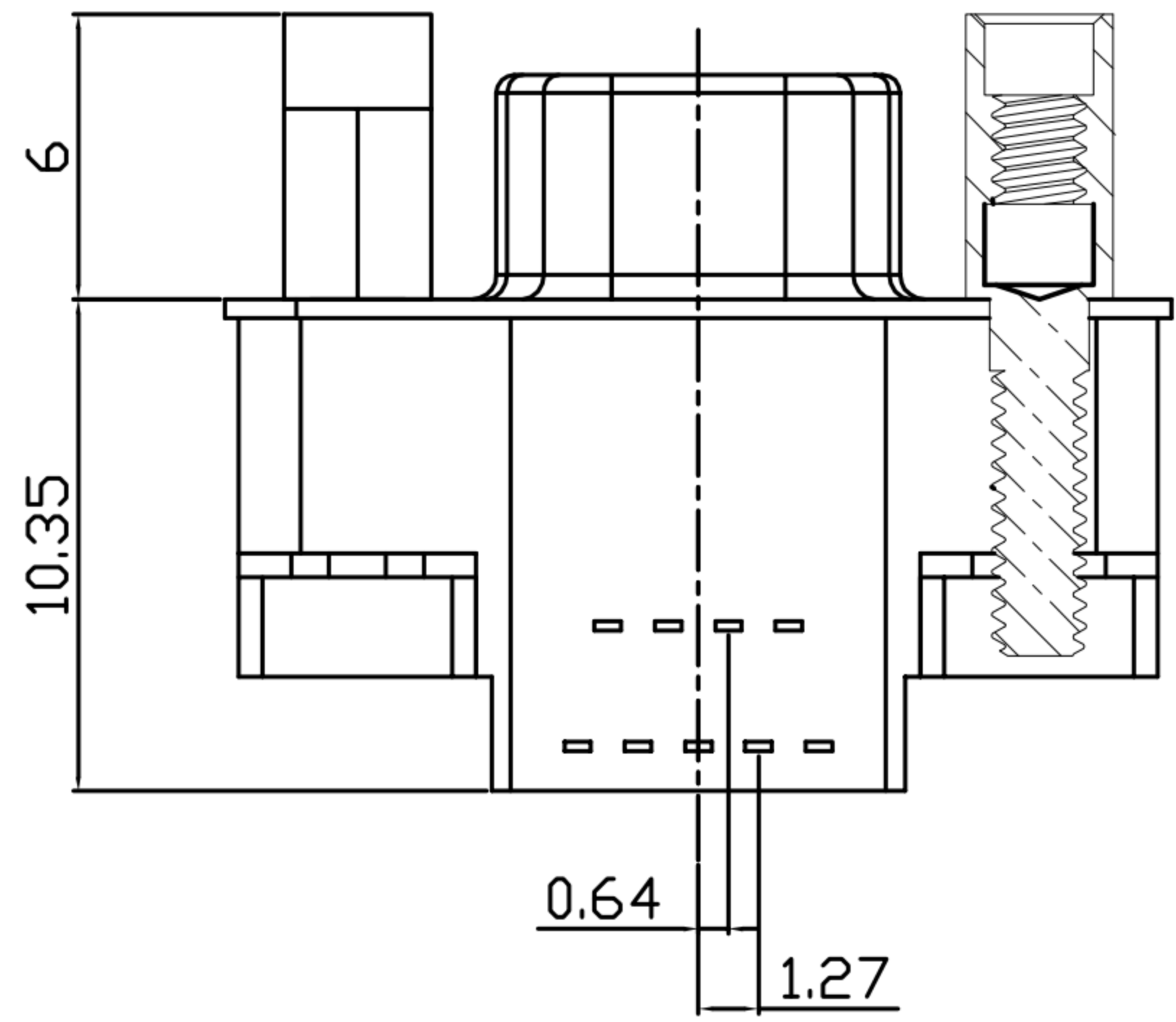
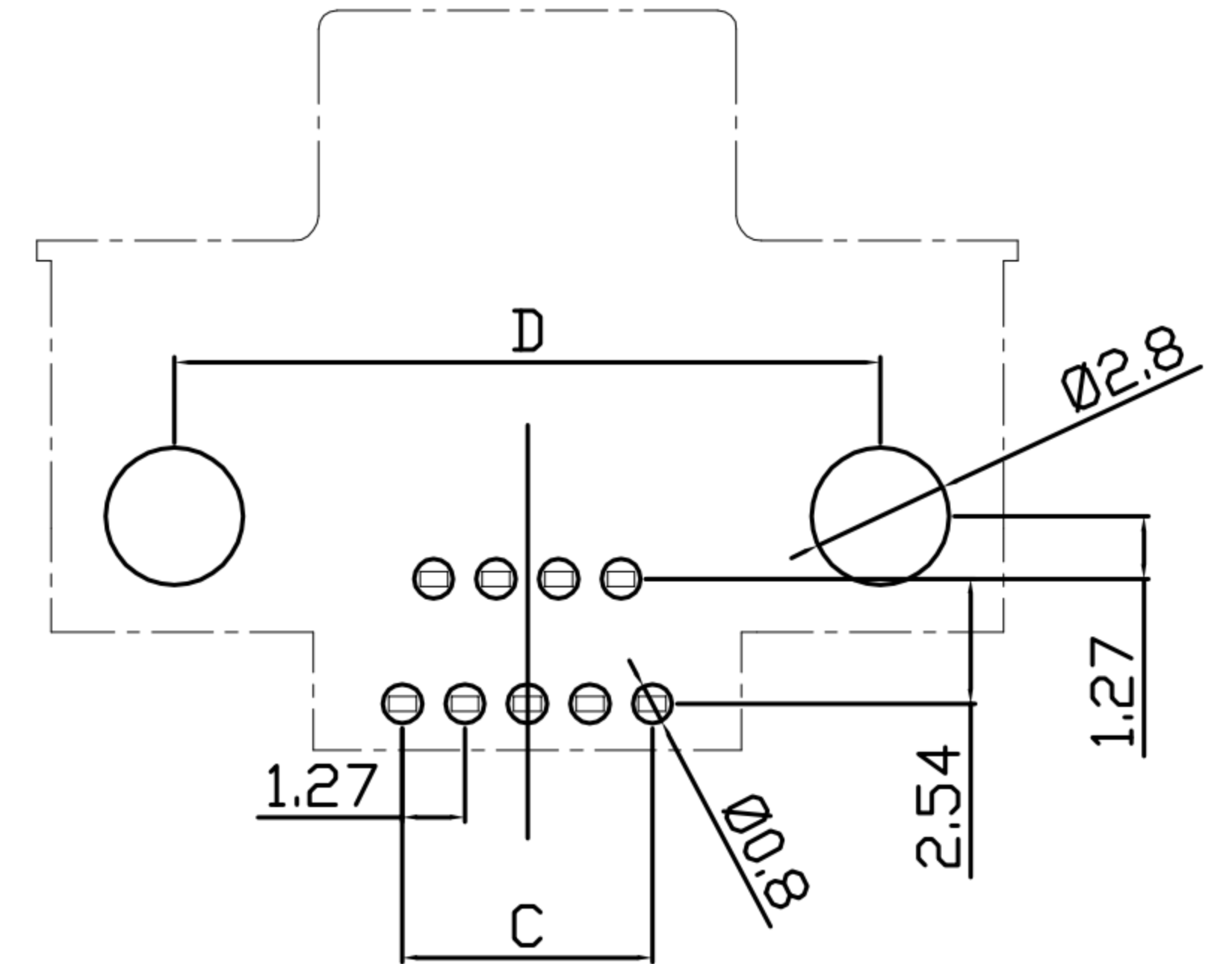
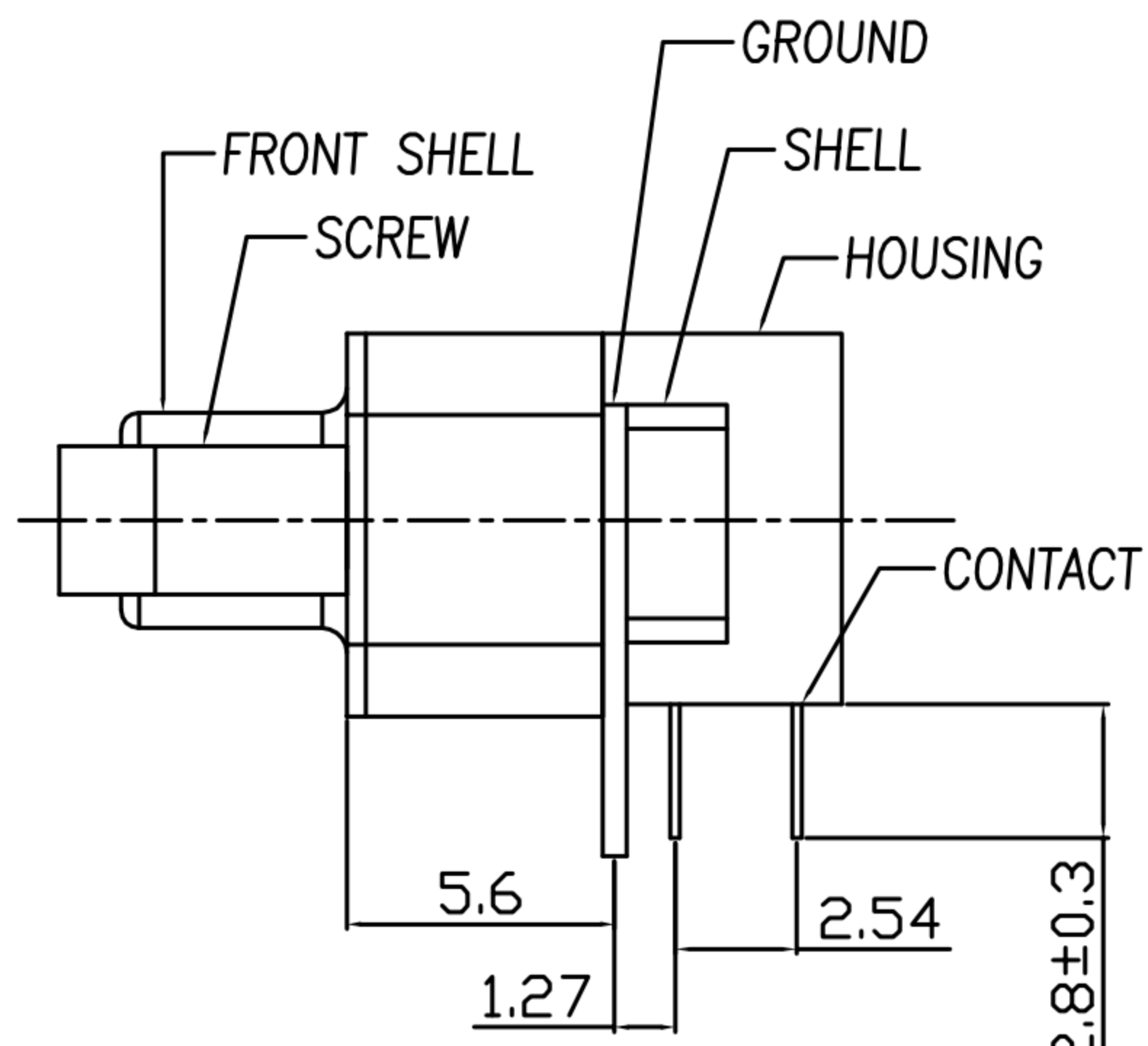
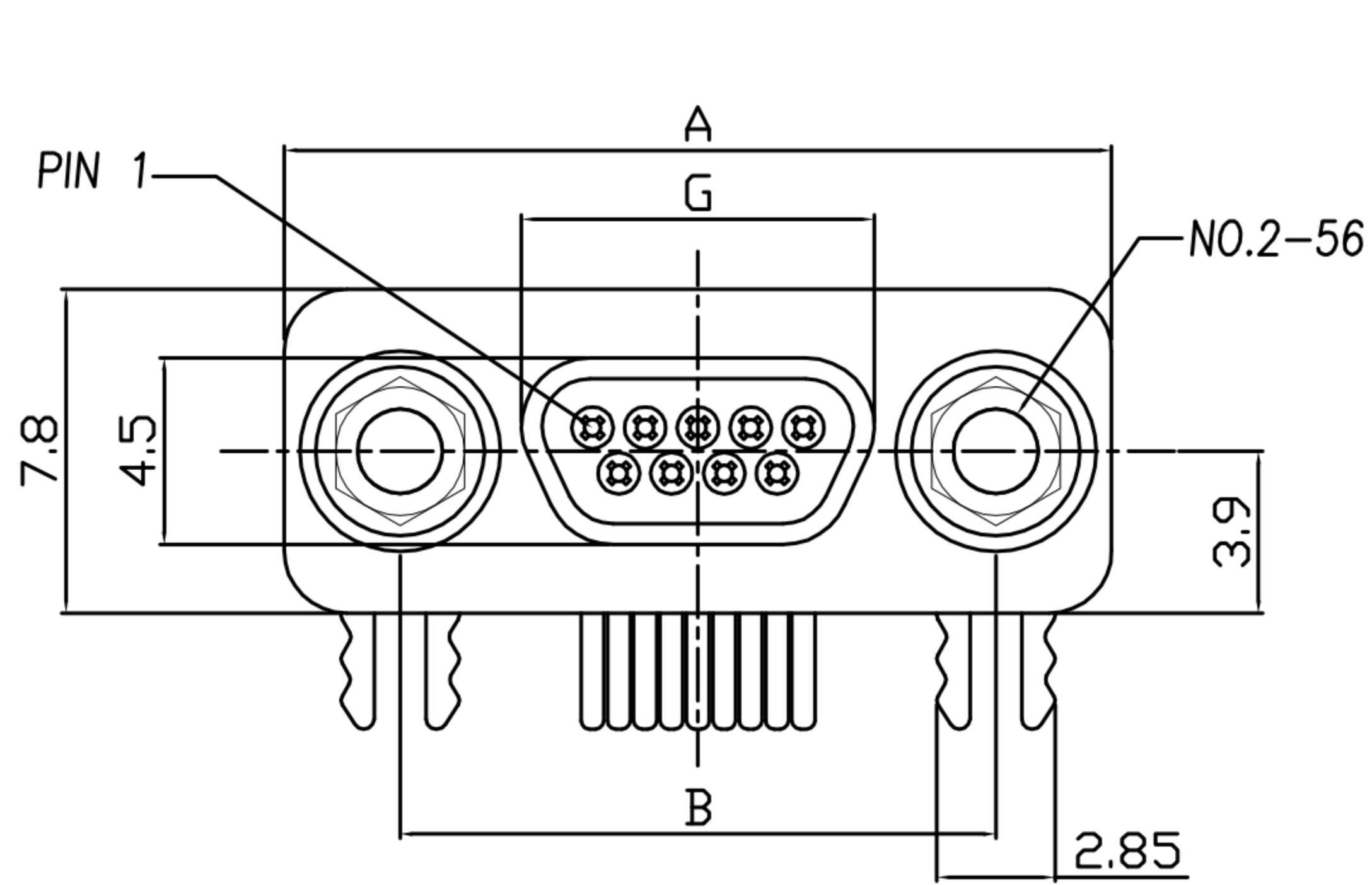


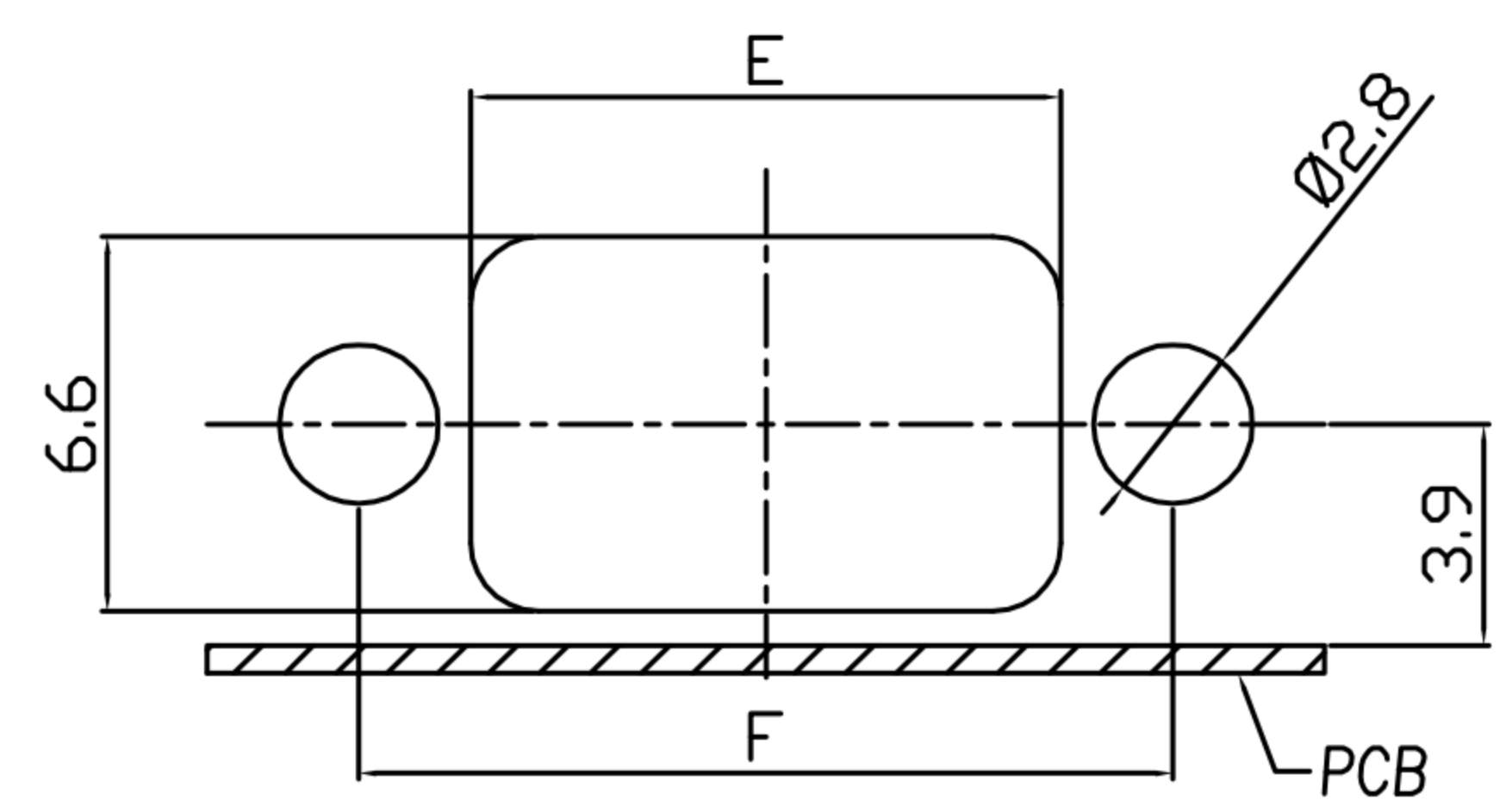
CUSTOMER DRAWING

REV.	DESCRIPTION	APPROVED BY	DATE	ECN NO.
A	RELEASE	Emily Suen	07/12/2011	
B				
C				

P/N	NUMBER OF PINS	A	B	C	D	E	F	G
DB-09F3-02	9	19.93	14.35	5.08	14.35	10.41	14.35	8.30
DB-15F3-02	15	23.75	18.16	8.89	18.16	14.22	18.16	12.20
DB-25F3-02	25	30.10	24.51	15.23	24.51	20.57	24.51	18.55



- MATERIAL :
 - 1-1. HOUSING : LCP UL94V-0 ; COLOR : BLACK
 - 1-2. CONTACT : PHOSPHOR BRONZE
 - 1-3. FRONT SHELL : SPCC
 - 1-4. SHELL : BRASS
 - 1-5. GROUND : BRASS
 - 1-6. SCREW : BRASS
- FINISH :
 - 2-1. CONTACT : GOLD 15u" ON CONTACT AREA
MATTE TIN 60u" ON SOLDER AREA
 - 2-2. FRONT SHELL : NICKEL PLATED 60u" ~ 100u" OVER ALL
 - 2-3. SHELL : NICKEL PLATED 60u" ~ 100u" OVER ALL
 - 2-4. GROUND : NICKEL PLATED 60u" ~ 100u" OVER ALL
 - 2-5. SCREW : NICKEL PLATED 60u" ~ 100u" OVER ALL
- ELECTRICAL SPECIFICATION :
 - 3-1. Rated current : 1A at 25°C/77°F, 0.7A at 70°C/158°F
 - 3-2. Voltage : 350Vac
- Environmental :
 - 4-1. Operation Temperature : -40°C~+125°C



DRAWN	Yeh Chou	APP'D	Emily Suen	UNIT	mm	TOLERANCE			TITLE	MICRO D-SUB 9-25P(F) 板上90°帶螺絲			SHEET	
CHK'D	Emily Suen			SCALE	1:1	.x ±0.20 .xx ±0.15 .xxx ±0.10 .xxxx ±0.05 ANGULA ±1°			PART NO.	SEE TABLE A	DWG NO.	QC5307	VERSION	