

CUSTOMER DRAWING

REV.	DESCRIPTION	APPROVED BY	DATE	ECN NO.
A	RELEASE	Fido Weng	30/08/12	
B				
C				

步驟一:

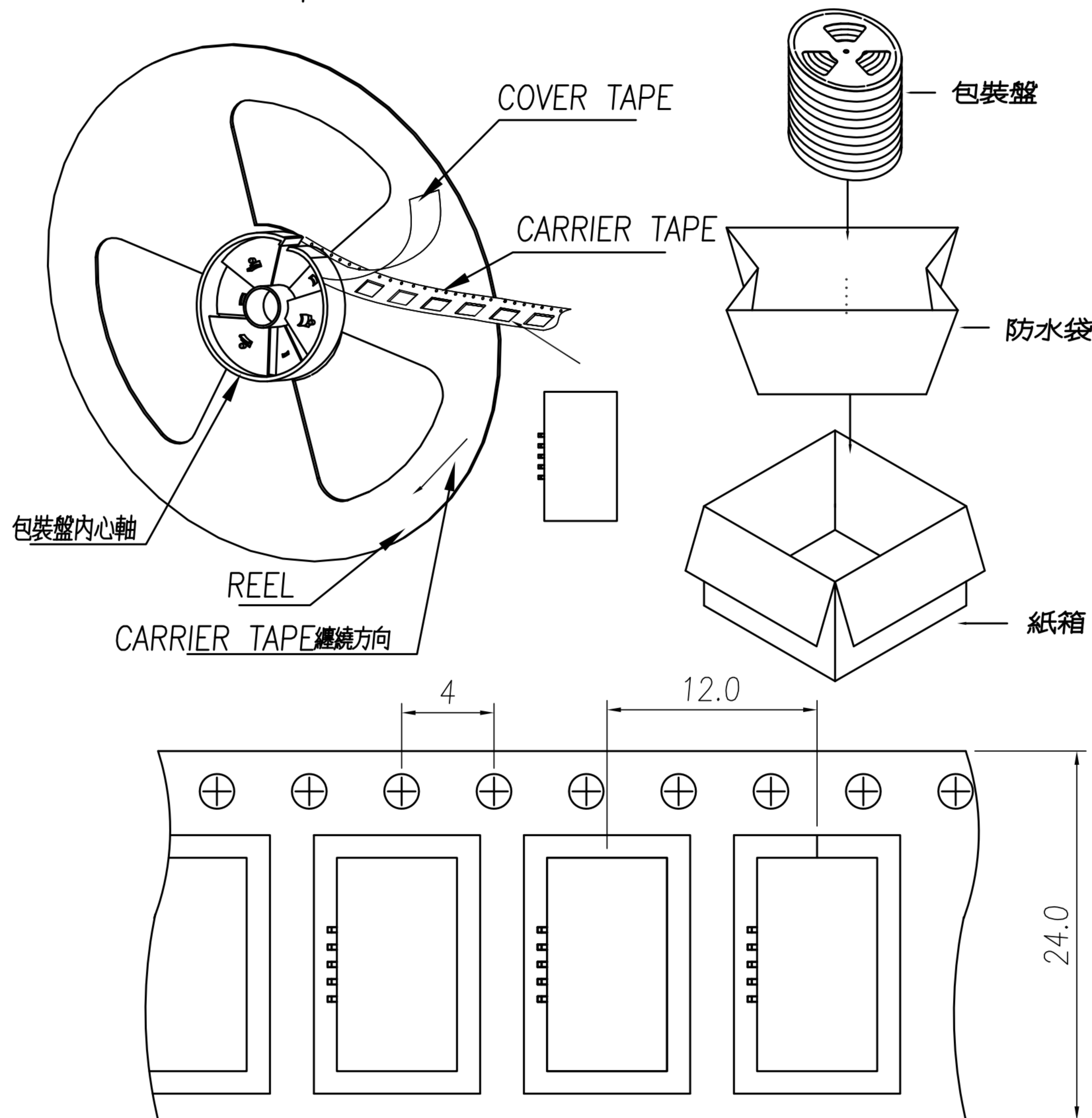
1. 將成品一一放入包裝盤內,依同一方向置入.
2. 包裝方式,如圖所示.
3. 一個包裝盤內600pcs.

步驟二:

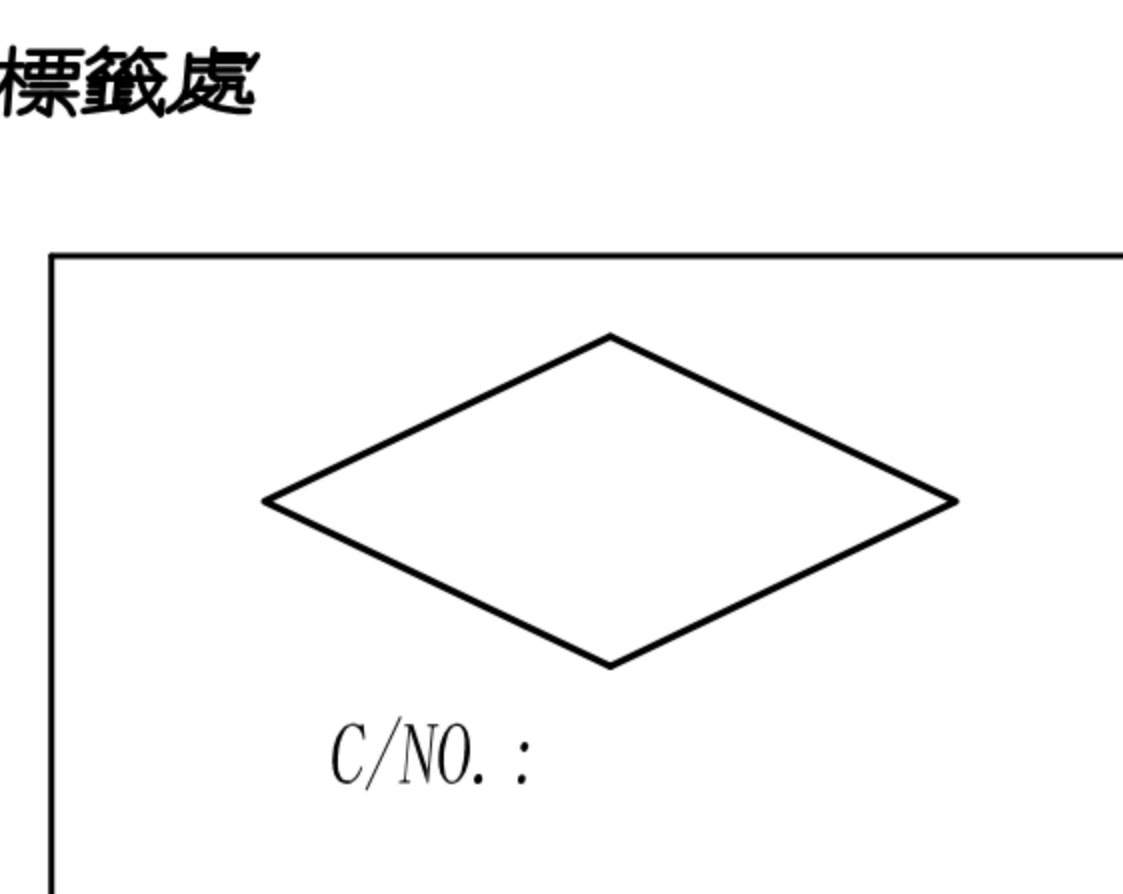
1. 一個紙箱可以裝10個包裝盤.
2. 每盤600pcs,每箱6000pcs.
3. 將包裝盤放入防水袋中,包裝完後再封箱.

步驟三:

1. 用膠帶將紙箱封實.
2. 將標籤貼於紙箱上.



ITEM NO:
 QTY: PGS
 N.W.: KG
 G.W.: KG
 MEAS:



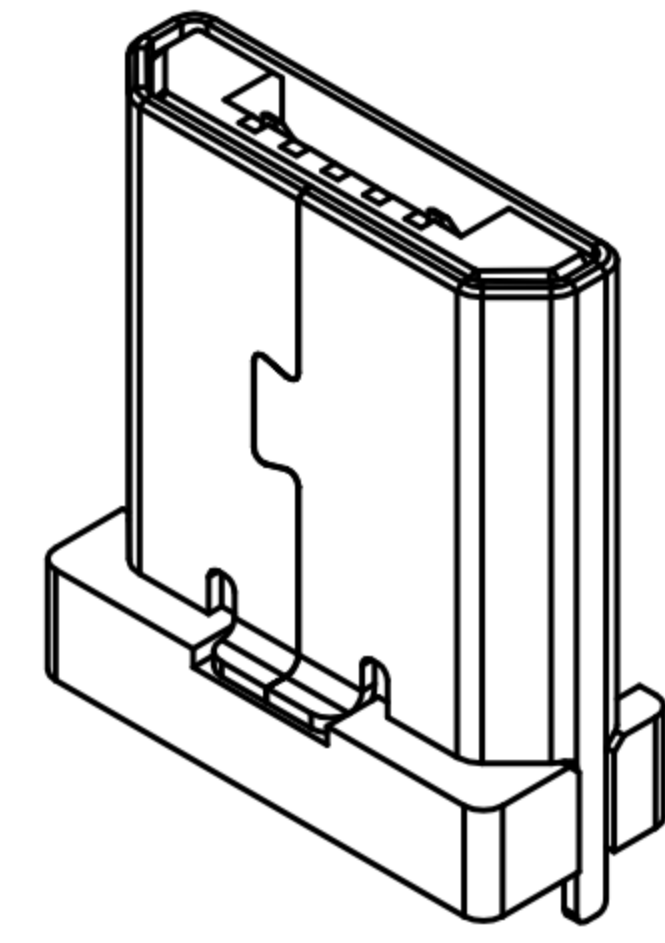
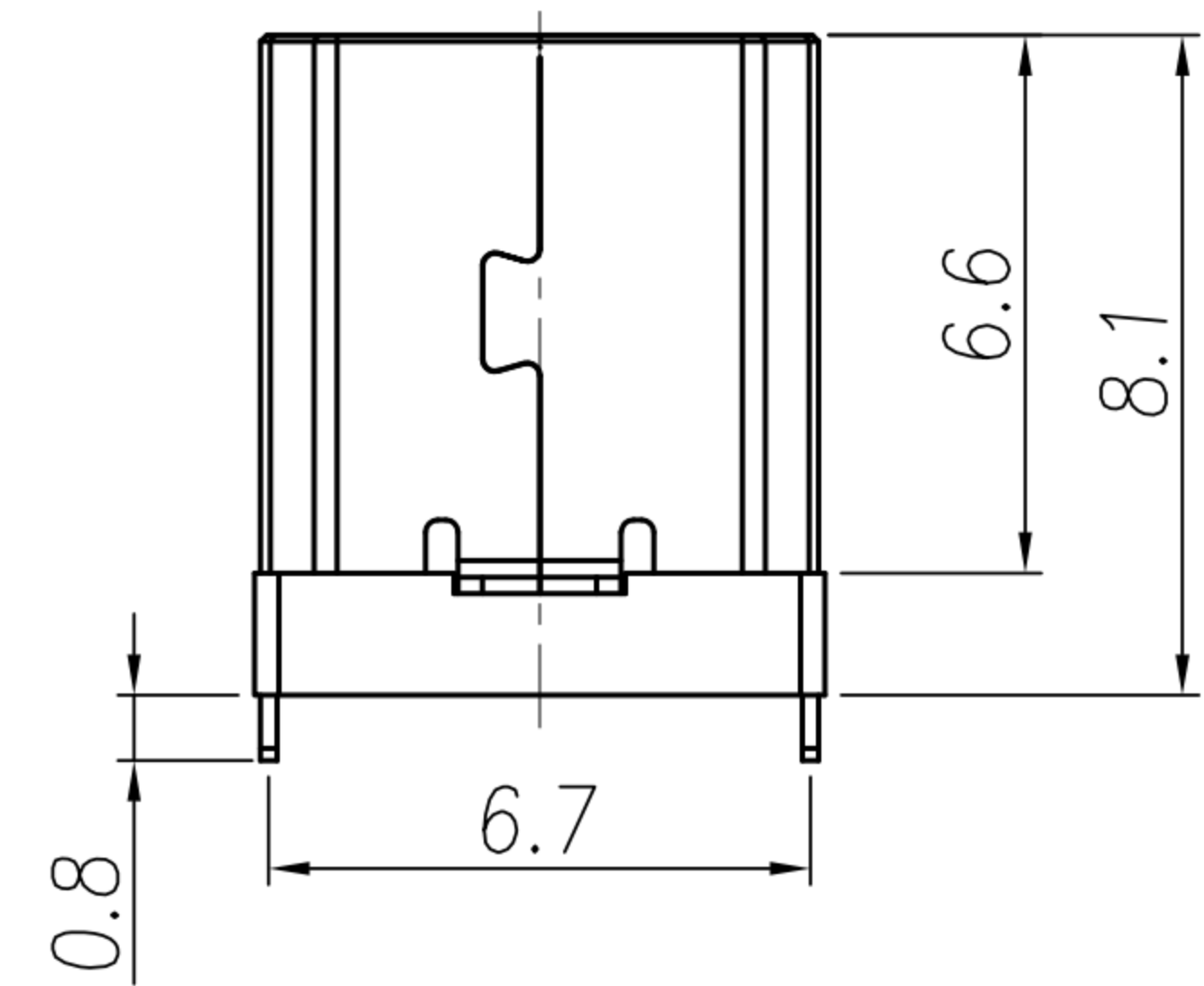
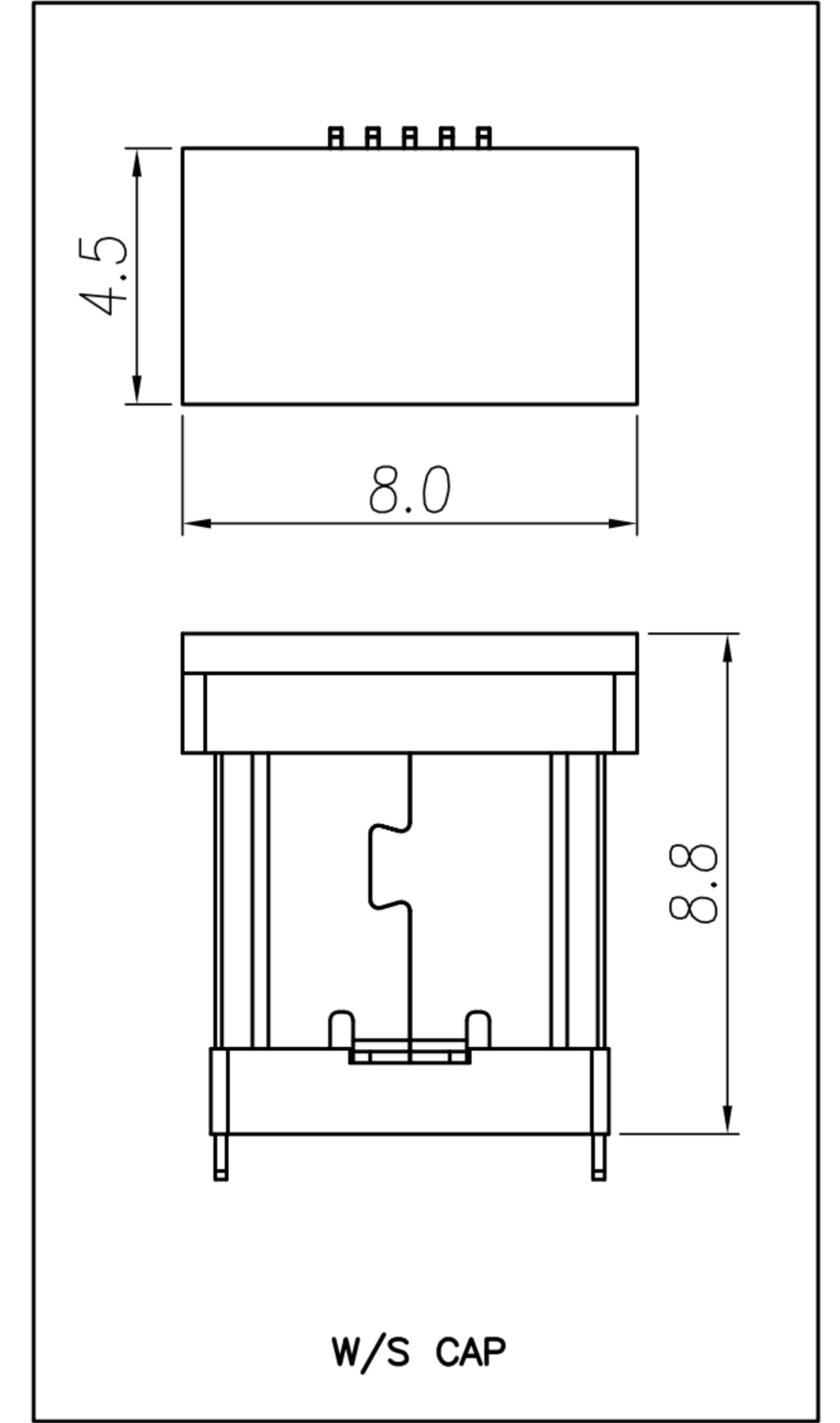
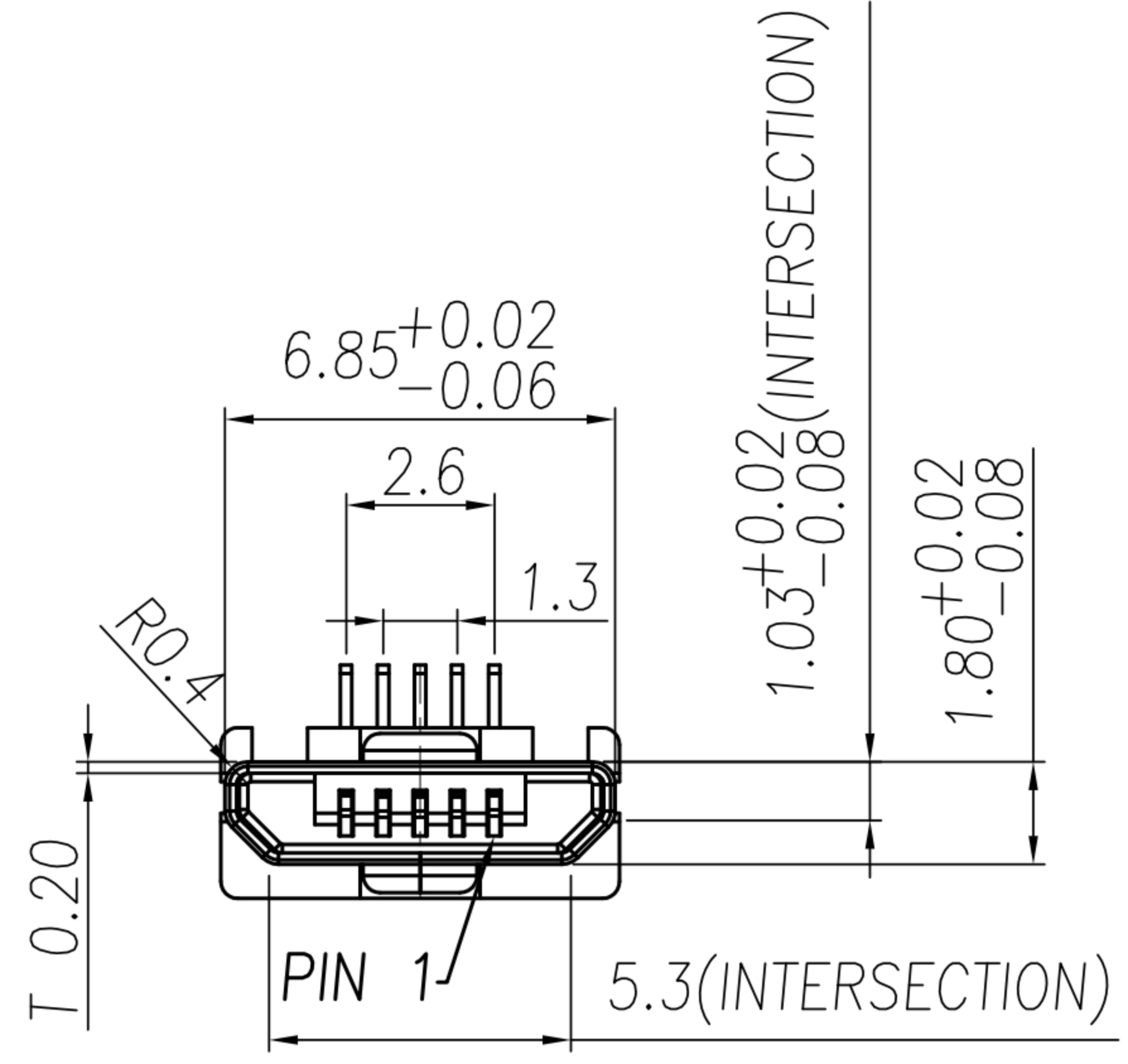
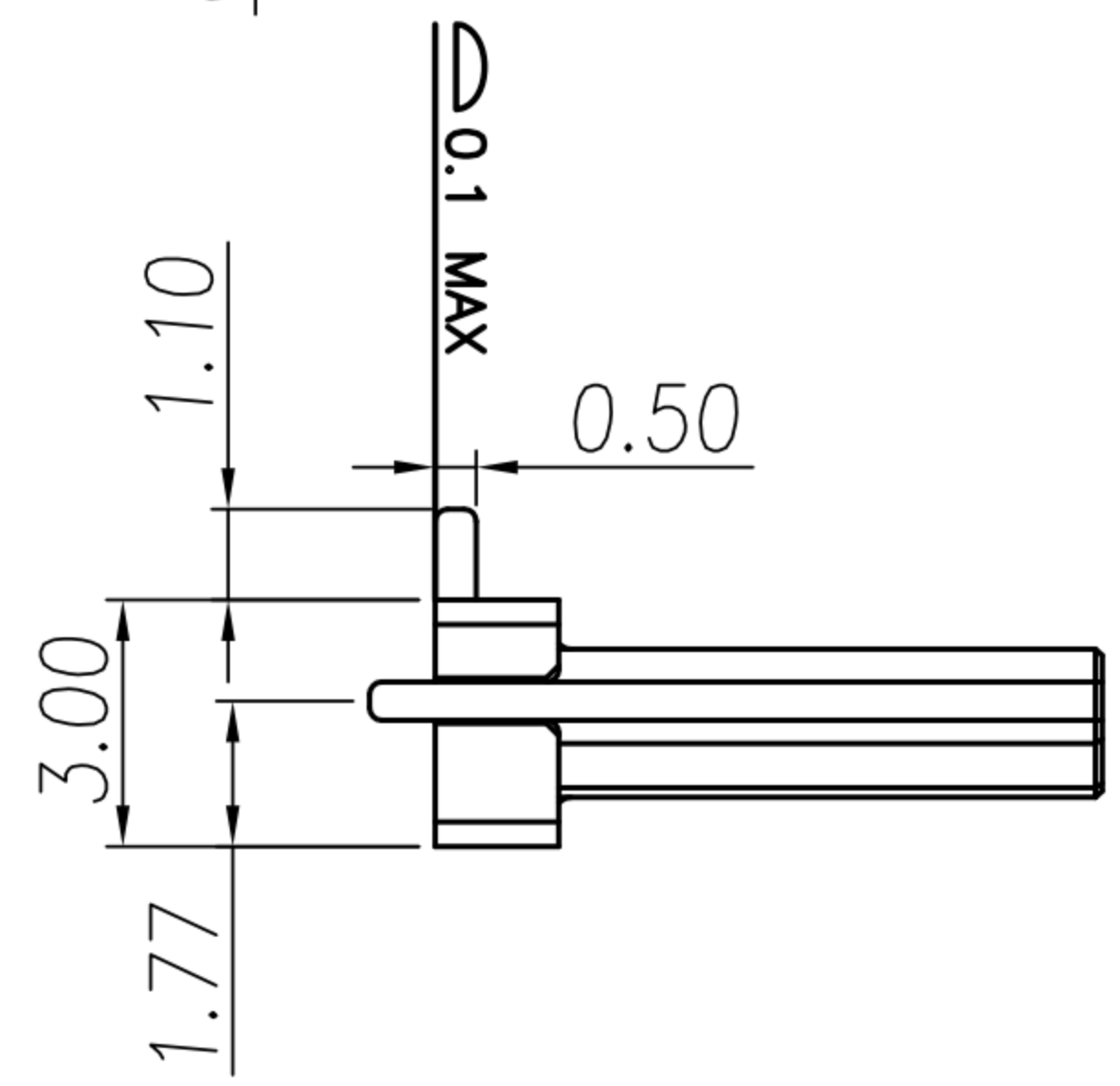
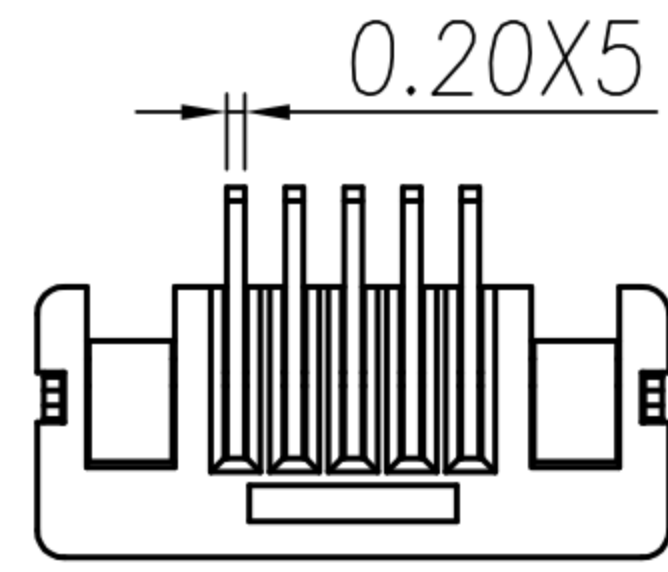
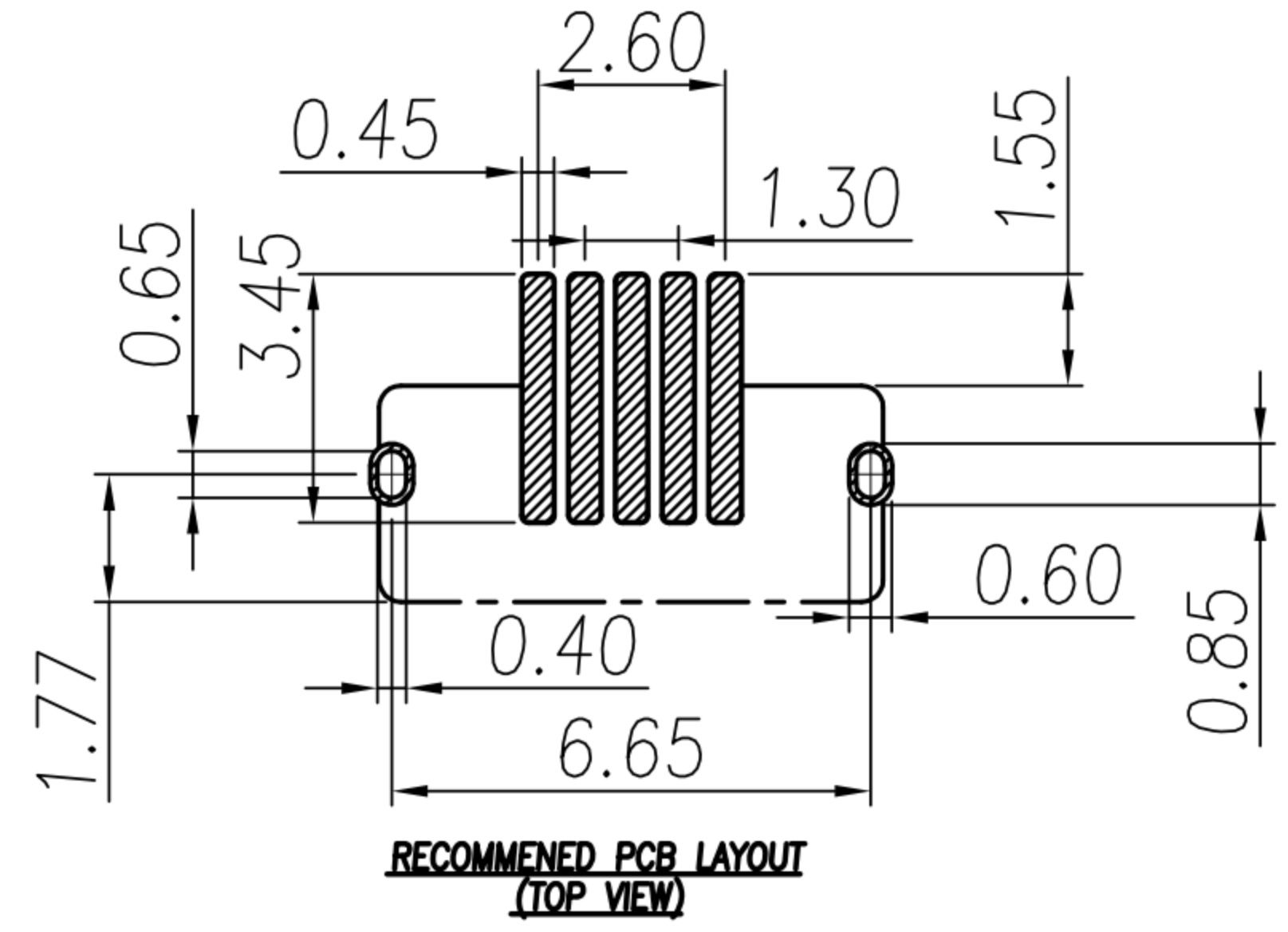
NOTE:

1. 若有未裝滿之零數箱,必須以緩衝材塞滿.
2. 在搬運過程中要輕拿輕放.
3. 載運輸中不可堆放過多,不可有重壓現象.
4. 在裝滿產品後,必須空留帶前和帶後15格以上,然後用紙膠布貼上.
5. 上帶在貼下帶時必須平整,且黏貼處不要出現氣泡.

DRAWN	Jen Xie	APPEND	Emily Suen	UNIT	mm	TOLERANCE		广东科斯达电子科技有限公司 GUANG DONG KE SI DA ELECTRONIC TECHNOLOGY CO., LTD.	TITLE	MICRO USB 5PIN(M) 直立式 SMT(WO LATCH)			SHEET	2
CHKED	Emily Suen			SCALE	1:1	.x ±0.20 .xx ±0.10 .xxx ±0.05 .xxxx ±0.03 ANGULA ±1°			PART NO.	PK-1-MU-05M4-15	DWG NO.	QC5740	VERSION	A

CUSTOMER DRAWING

REV.	DESCRIPTION	APPROVED BY	DATE	ECN NO.
A	RELEASE	Emily Suen	30/08/12	
B				
C				



- MATERIAL :
 - 1-1. HOUSING : LCP UL94V-0 ; COLOR : BLACK
 - 1-2. CONTACT : PHOSPHOR BRONZE
 - 1-3. SHELL : STAINLESS STEEL
- FINISH :
 - 2-1. CONTACT : GOLD FLASH ON CONTACT AREA
MATTE TIN ON OTHER AREA
 - 2-2. SHELL : 可焊鍍銀
- ENVIRONMENTAL
 - 3-1. OPERATING TEMPERATURE RANGE: -20°C ~ +85°C
 - 3-2. STORAGE TEMPERATURE RANGE: -40°C ~ +85°C
- SPEC :
 - 4-1. CURRENT RATING : PIN1 & 5 1.8A(MAX) OTHER 0.5A
PER PIN 1A

DRAWN	Emily Suen	APPEND	Ku Chou	UNIT	mm	TOLERANCE		广东科斯达电子科技有限公司 GUANG DONG KE SI DA ELECTRONIC TECHNOLOGY CO., LTD.	TITLE	MICRO USB 5PIN(M) 直插 SMT(WO LATCH)			SHEET	
CHOKED	Emily Suen			SCALE	1:1	.x ±0.20 .xx ±0.10 .xxx ±0.05 .xxxx ±0.03 ANGULA ±1°			PART NO.	MU-05M4-15	DWG NO.	QC5740	VERSION	