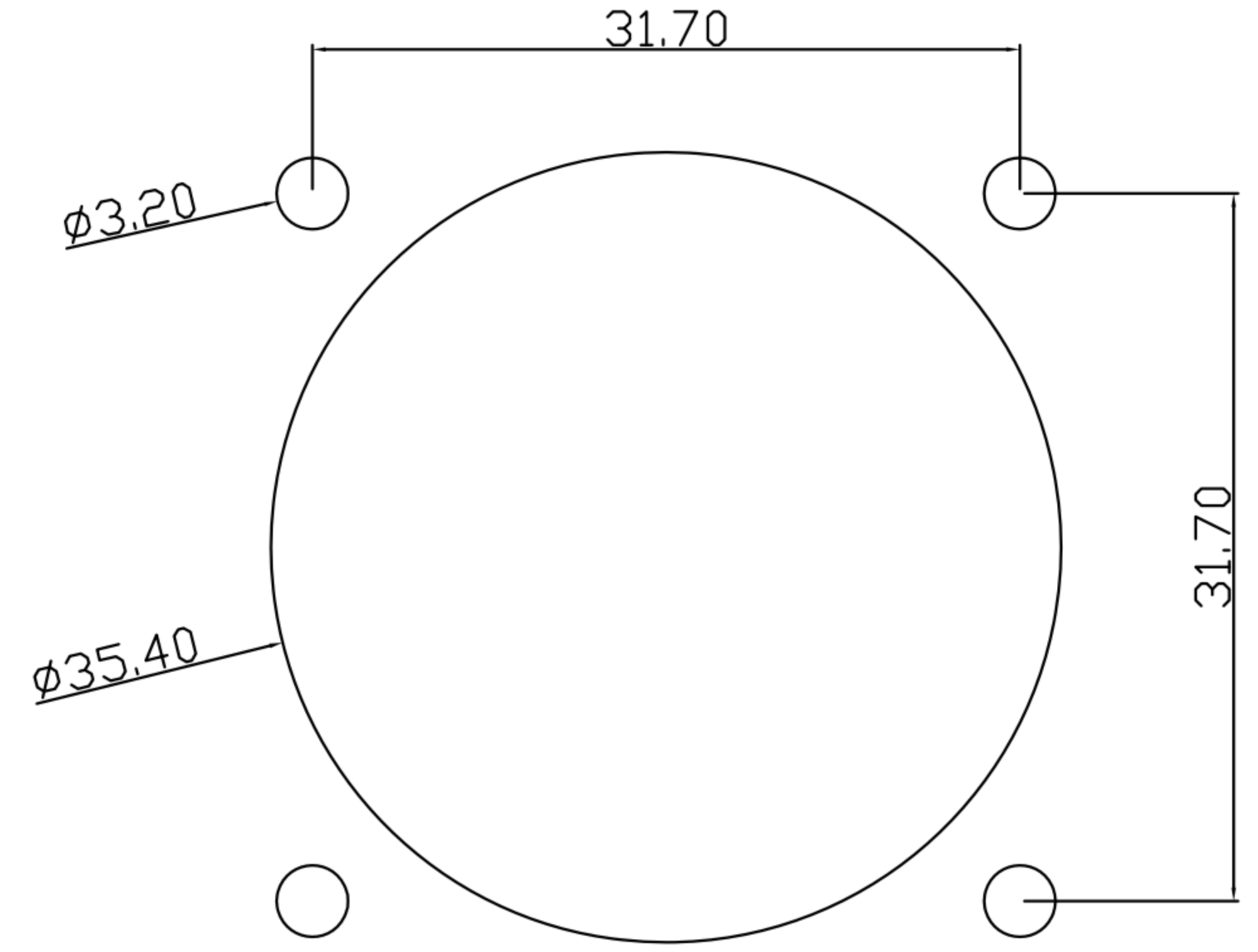


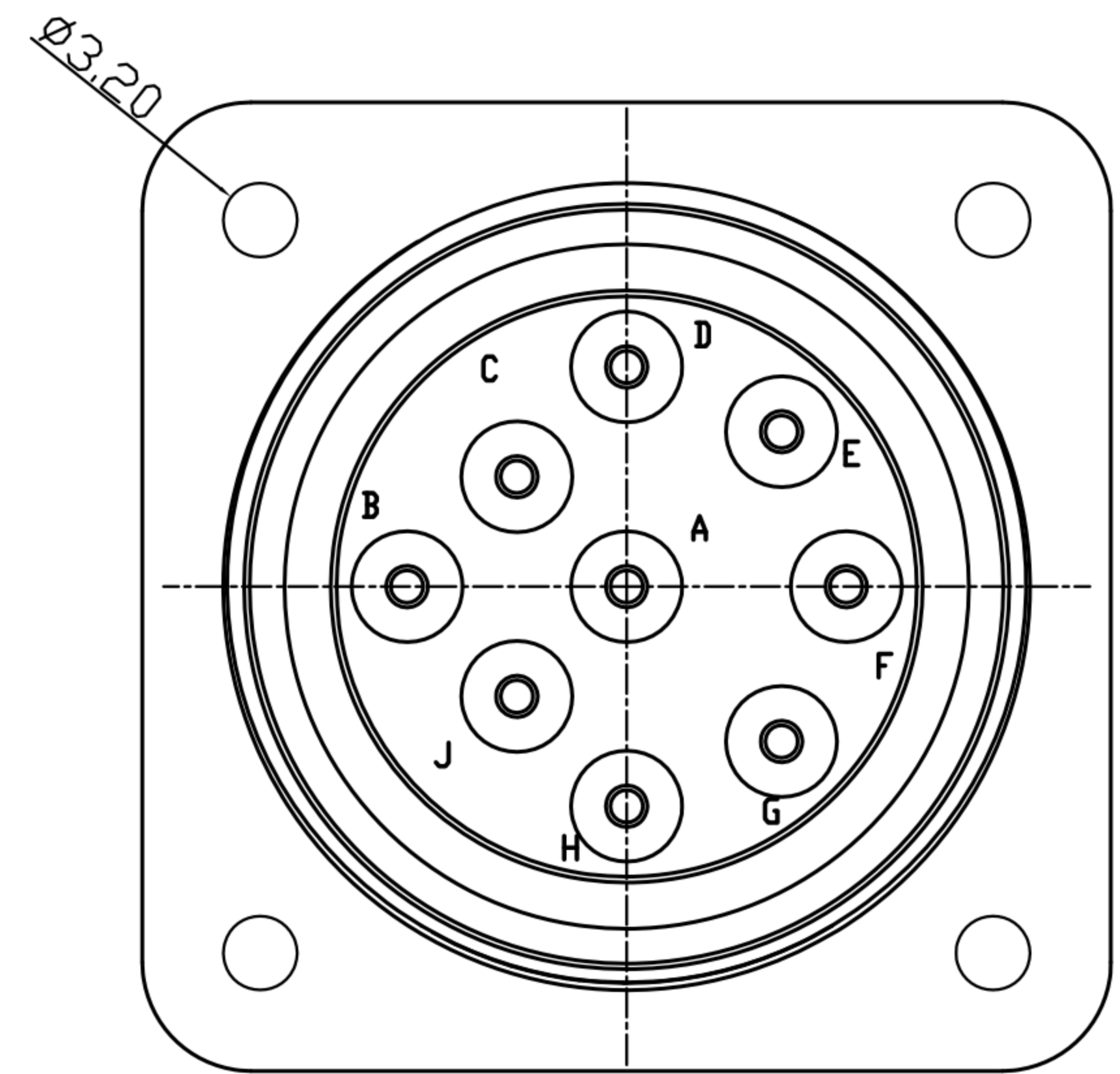
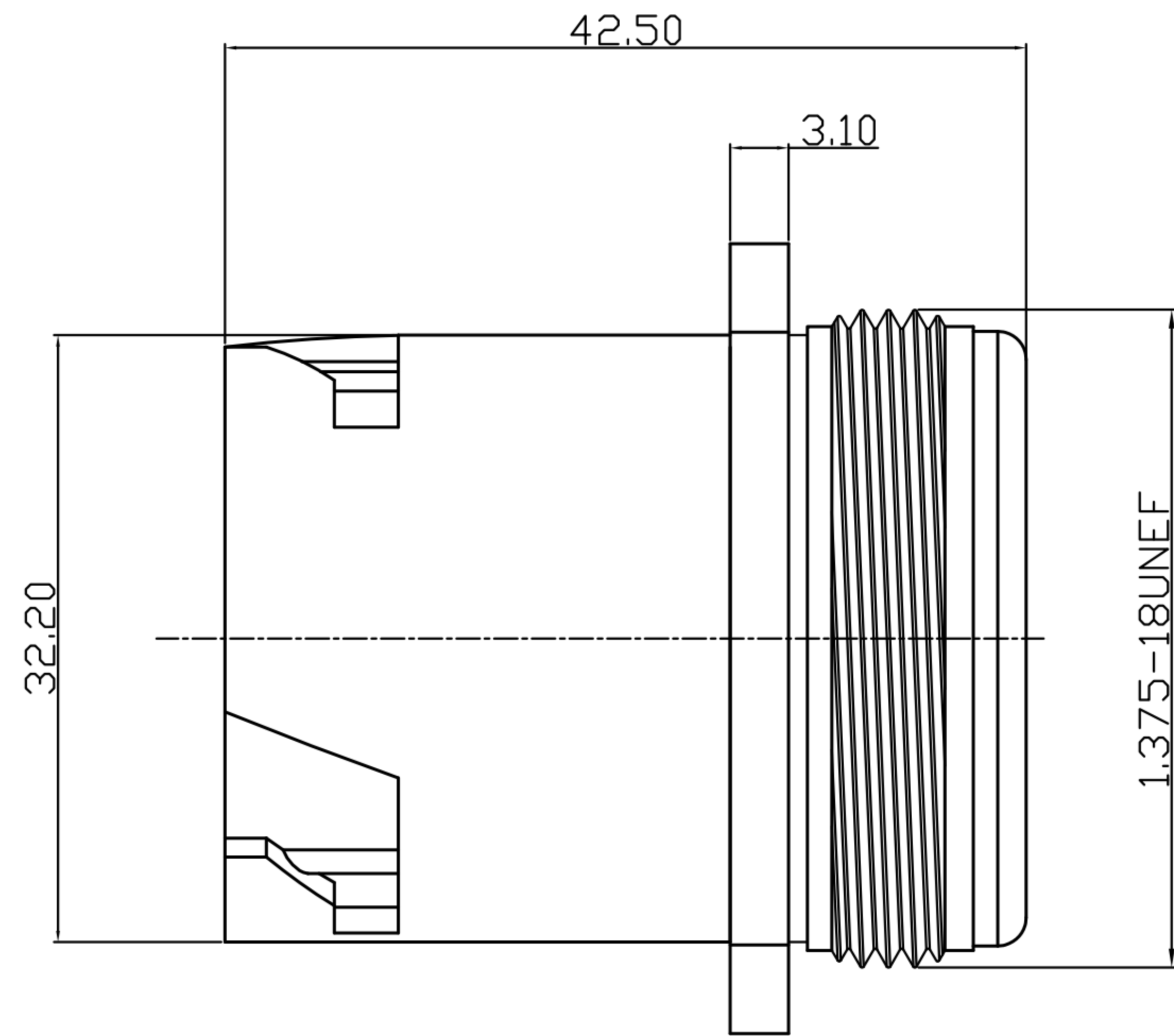
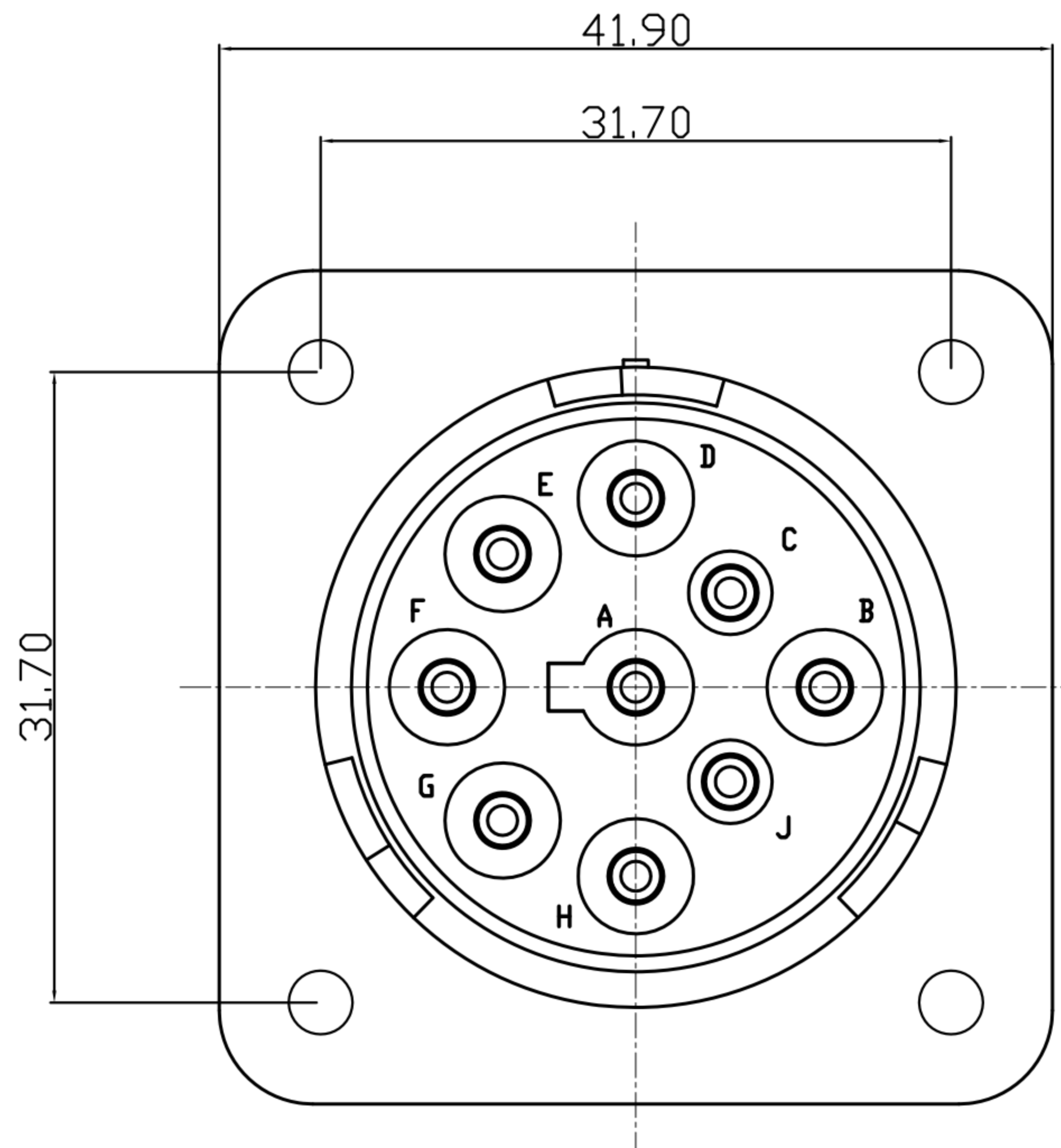
# CUSTOMER DRAWING

REV.	DESCRIPTION	APPROVED BY	DATE	ECN NO.
A	RELEASE	EMILY SUEN	2017/06/05	
B				
C				

- MATERIAL :
  - INSULATOR : PA66 ; COLOR : BLACK
  - HOUSING : PA66 ; COLOR : BLACK
  - REAR COVER : PA66 ; COLOR : BLACK
  - RUBBER : SILICONE ; COLOR : ORANGE
- ELECTRICAL SPECIFICATION :
  - Rated current : 13A
  - Rated Voltage : 500V
- Environmental :
  - Operation Temperature : -40°~105°



MOUNTING HOLE DETAIL



DRAWN	Yeh Chou	APP'D	Ku Chou	UNIT	mm	TOLERANCE		广东科斯达电子科技有限公司 GUANG DONG KE SI DA ELECTRONIC TECHNOLOGY CO., LTD.	TITLE	防水9PIN (F) 方型四孔(1.375-18UNEF)			SHEET	1 VERSION A
CHK'D	Yeh Chou			SCALE	1:1	.x ±0.10 .xx ±0.05 .xxx ±0.03 .xxx ±0.01 ANGULA ±1°			PART NO.	WP-09F2-10-11	DWG NO.	QC7821		