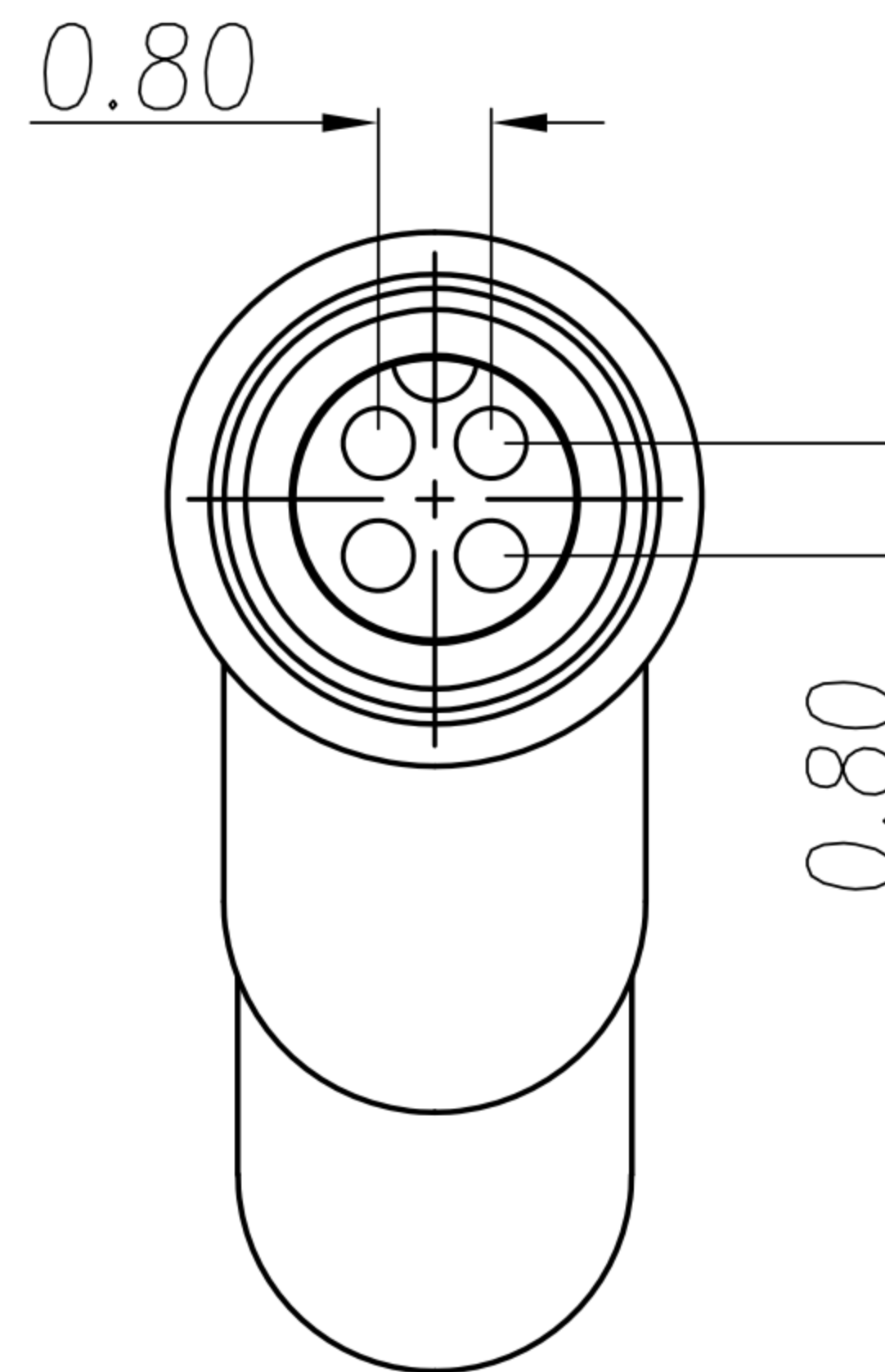
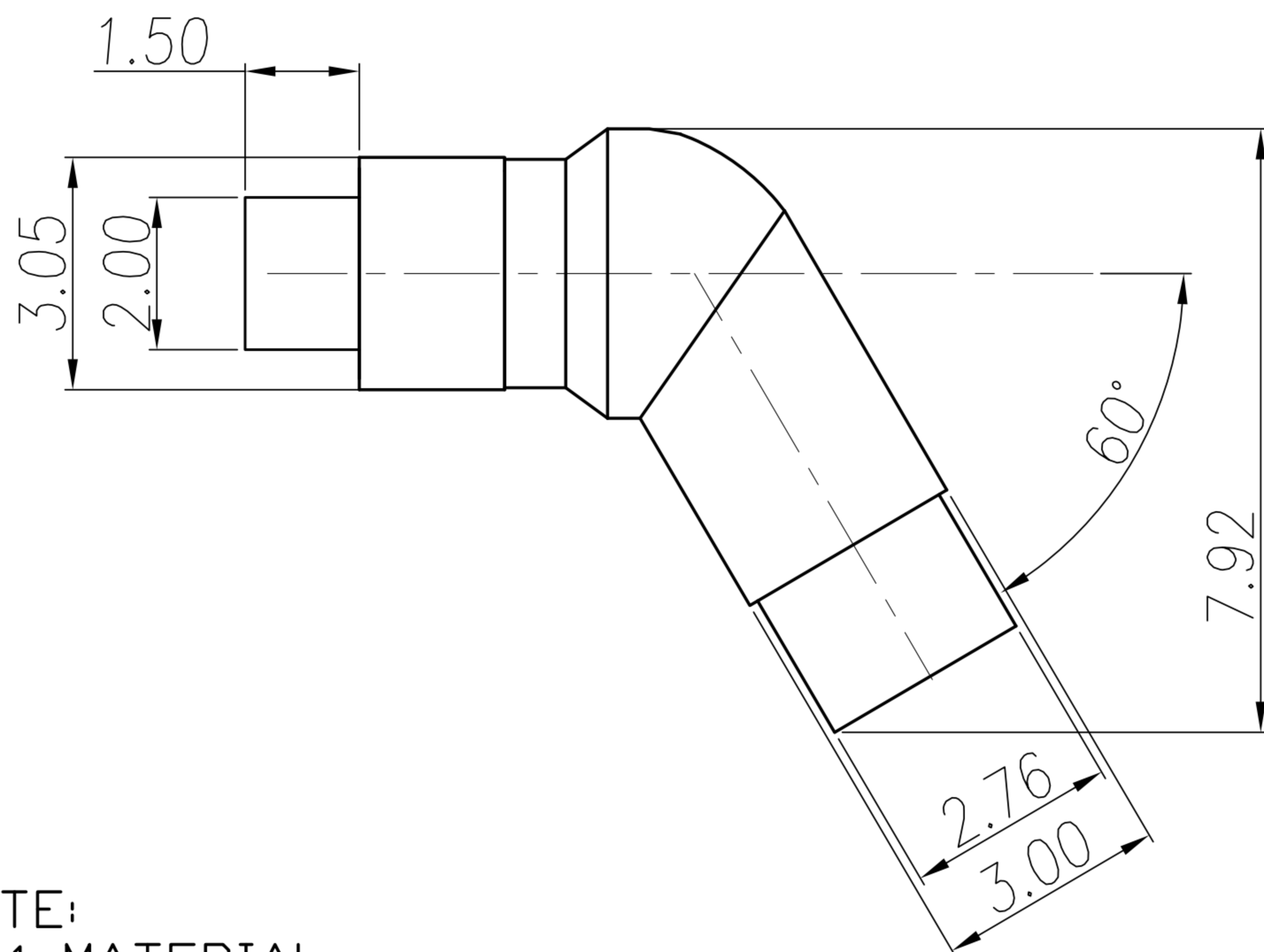


CUSTOMER DRAWING

| REV. | DESCRIPTION  | APPROVED BY | DATE      | ECN NO.   |
|------|--------------|-------------|-----------|-----------|
| △A   | RELEASE      | Fido        | 21/11/08' |           |
| △B   | 增加紅色&藍色 色階代碼 | Fido        | 3/9/15'   | ECN-15014 |
| △C   |              |             |           |           |



NOTE:

1. MATERIAL
  - 1-1.HOUSING:PBT+15%GF
  - 1-2.CONTACT:BERYLLIUM COPPER
  - 1-3.RING:BRASS
  - 1-3.PLASTIC COVER:ABS
  - 1-4.Color: TABLE A
- 2.PLATING
  - 2-1.CONTACT:GOLD 10u"
  - 2-2.RING:GOLD FLASH

TABLE A

|    |            |             |       |
|----|------------|-------------|-------|
|    | HO-04M2-02 | 助聽器4(M)黑    |       |
| △B | HO-04M2-03 | 助聽器4(M)藍    | 300C  |
| △B | HO-04M2-04 | 助聽器4(M)紅    | 187C  |
|    | P/N        | DESCRIPTION | Color |

| DRAWN  | Yeh Chou | APP'D | Ku Chou | UNIT  | mm  | TOLERANCE  |  | TITLE    | TABLE A |         |        | SHEET     |
|--|----------|-------|---------|-------|-----|--|--|----------|---------|---------|--------|-----------|
| CHK'D  | Yeh Chou |       |         | SCALE | 1:1 | .x ±0.20<br>.xx ±0.10<br>.xxx ±0.05<br>.xxxx ±0.03<br>ANGULA ±1° |  | PART NO. | TABLE A | DWG NO. | QC2197 | VERSION B |
| 广东科斯达电子科技有限公司<br>GUANG DONG KE SI DA ELECTRONIC TECHNOLOGY CO., LTD. |          |       |         |       |     |  |  |          |         |         |        |           |