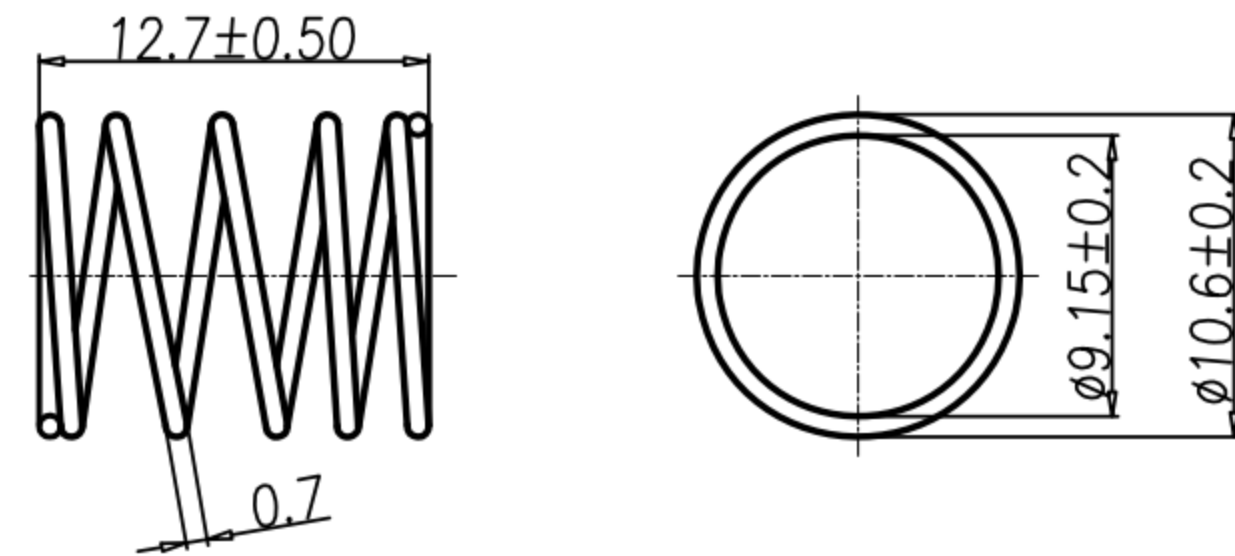


This document is the property of Nian-Yeong Corporation and is delivered on the express condition that it is not to be disclosed, reproduced or used, in whole or in part, for manufacture or sale by anyone other than Nian-Yeong Corporation without its prior consent, and that no right is granted to disclose or to use any information in this document.

CUSTOMER DRAWING

REV.	DESCRIPTION	APPROVED BY	DATE	ECN NO.
N	TABLE A	Fido Weng	23/03/10"	
O	ADD NEW PART IN TABLE A	Fido Weng	22/10/10"	ECN10118
P	ADD NEW PART IN TABLE A	Fido Weng	03/06/13"	



OS-DM0011 LOCK彈簧

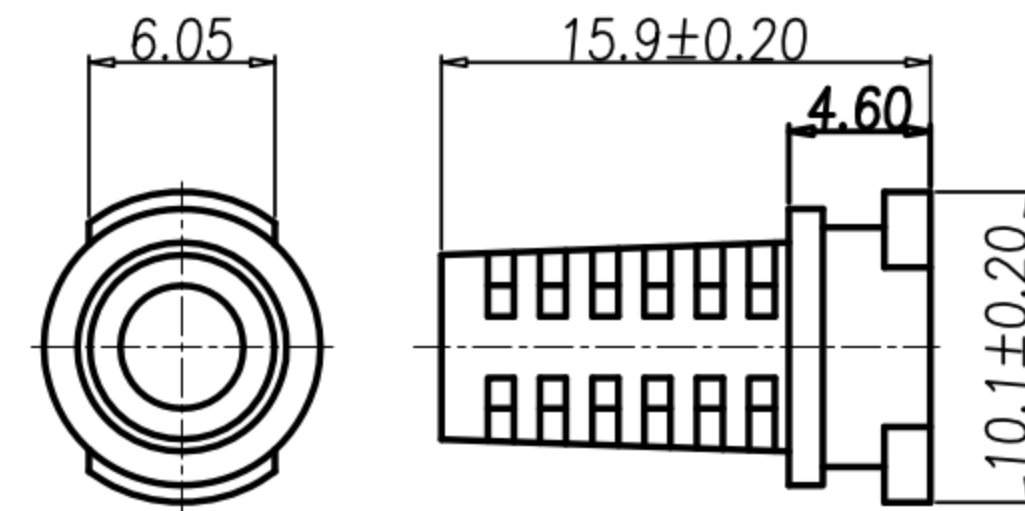


TABLE A

PART NO.	COLOR	OD
ON-DM0077	黑色	φ4.0
ON-DM0209	白灰色	φ4.0

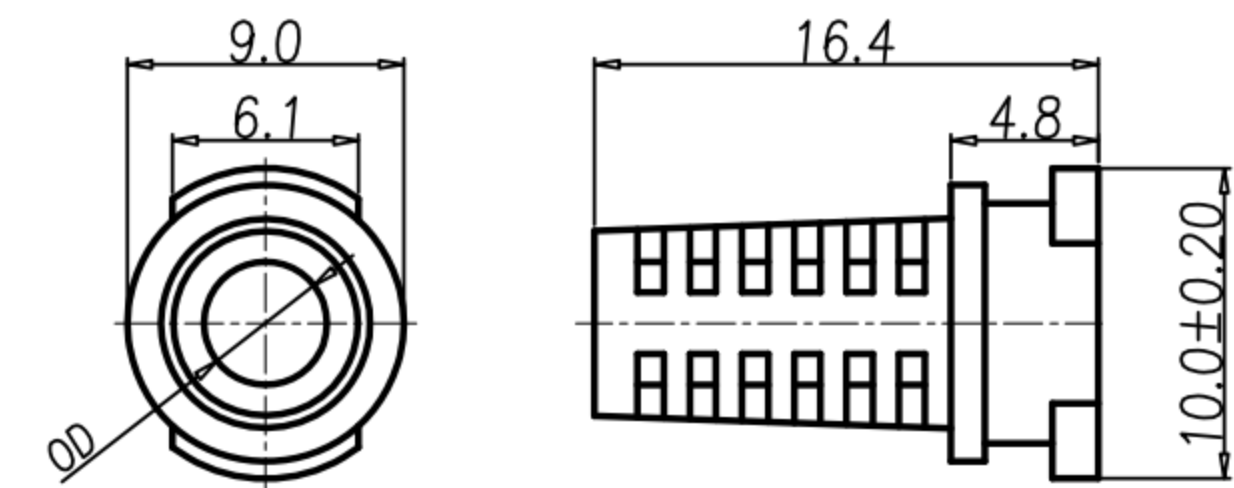
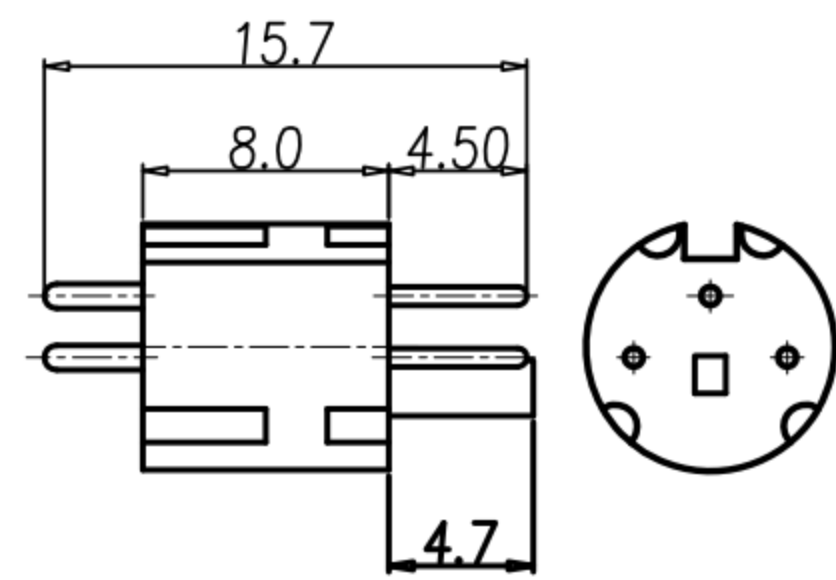


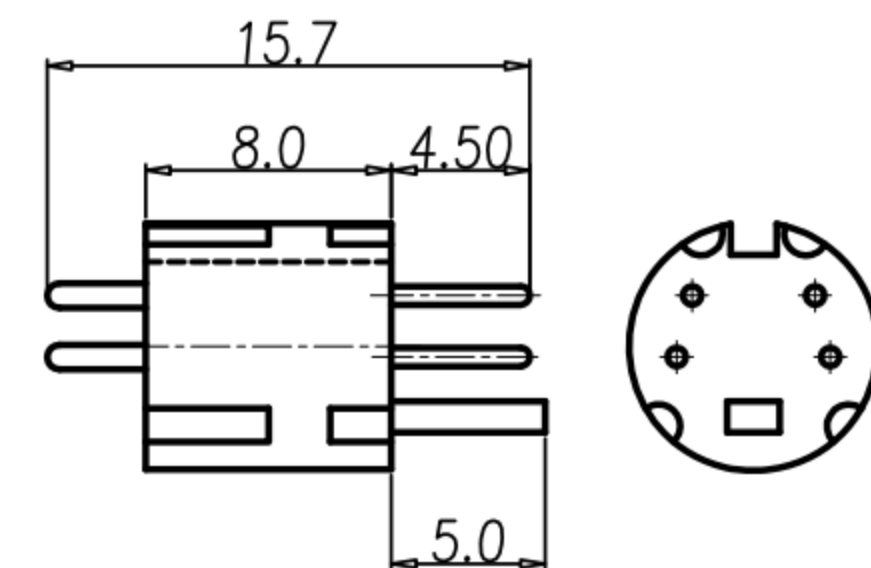
TABLE A

P/N	DESCRIPTION	OD
ON-DM0493-01	POWER SR(黑)	φ4.5
ON-DM0305	Power SR(貝吉)(WARM GRAY 3U)	φ6.5
ON-DM0258	Power SR(白灰)	φ5.5
ON-DM0217	Power SR(黑)	φ4.0
ON-DM0150	Power SR(白灰)	φ6.5
ON-DM0091	Power SR(貝吉)	φ6.5
ON-DM0018	Power SR(黑)	φ6.5
ON-DM0235	Power SR(貝吉黃)	φ5.5
ON-DM0249	Power SR(白)	φ5.5
ON-DM0208	Power SR(貝吉)	φ5.5
ON-DM0071	Power SR(黑)	φ5.5
ON-DM0072	Power SR(黑)	φ7.0
ON-DM0210	POWER SR(白灰)	φ5.0
ON-DM0079	POWER SR(黑)	φ5.0
P/N	DESCRIPTION	D



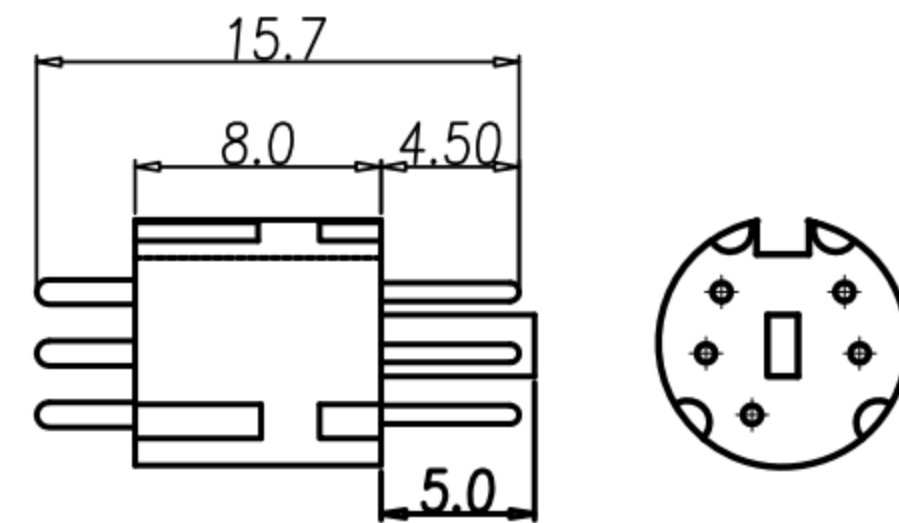
3PIN HOUSING+PIN

TABLE A	
NY-DM608	GOLD/金30u"
NY-DM101	GOLD FLASH/鍍金



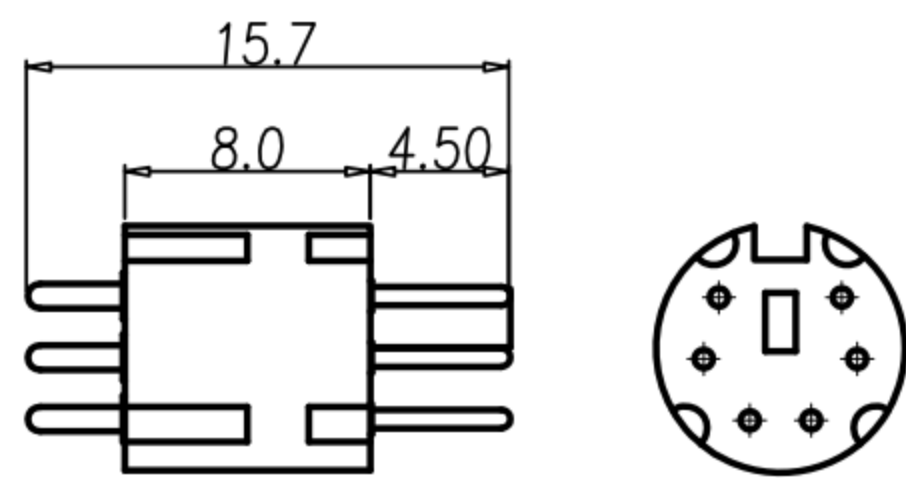
4PIN HOUSING+PIN

TABLE A	
NY-DM576	GOLD/金30u"
NY-DM102	GOLD FLASH/鍍金



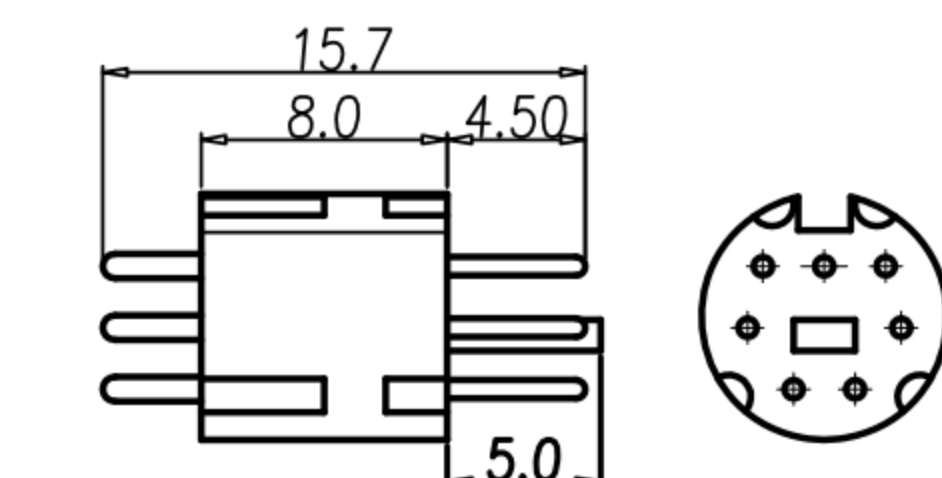
5PIN HOUSING+PIN

TABLE A/表A	
NY-DM103	GOLD FLASH/鍍金



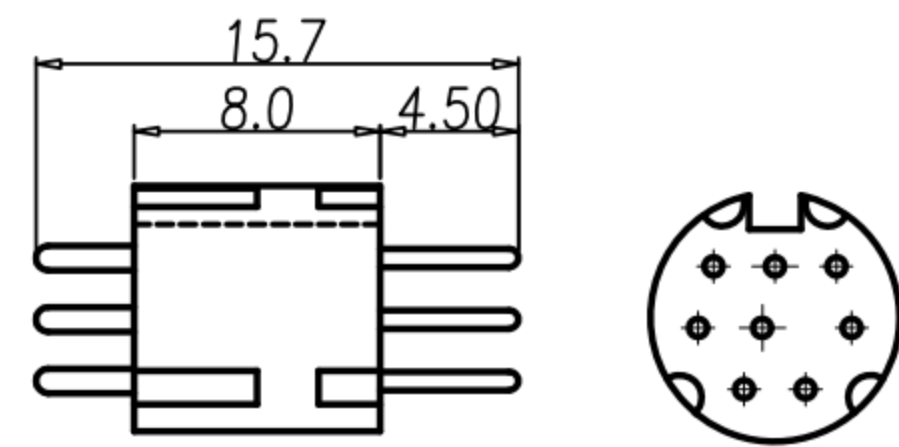
6PIN HOUSING+PIN

TABLE A	
NY-DM104	鍍金/GOLD FLASH
NY-DM362	金30u"/GOLD 30u"
NY-DM424	金15u"/GOLD 15u"
P/N	PLATED



7PIN HOUSING+PIN

TABLE A	
NY-DM105	鍍金/GOLD FLASH
NY-DM419	金30u"/GOLD 30u"
P/N	PLATING



8PIN HOUSING+PIN

TABLE A	
NY-DM106	鍍金/GOLD FLASH
NY-DM363	金30u"/GOLD 30u"
P/N	PLATED

DRAWN	Emily Suen	APP'D	Fido Weng	UNIT	mm	TOLERANCE			TITLE	SEE TABLE A			SHEET	3
CHK'D	Emily Suen			SCALE	1:1				PART NO.	SEE TABLE A	DWG NO.	QC1009	VERSION	P

CUSTOMER DRAWING

REV.	DESCRIPTION	APPROVED BY	DATE	ECN NO.
△	ADD NEW PART IN TABLE A	Fido Weng	22/10/10"	ECN10118
△	ADD NEW PART IN TABLE A	Fido Weng	03/06/13"	
△	增加料號	KU	17/04/18"	

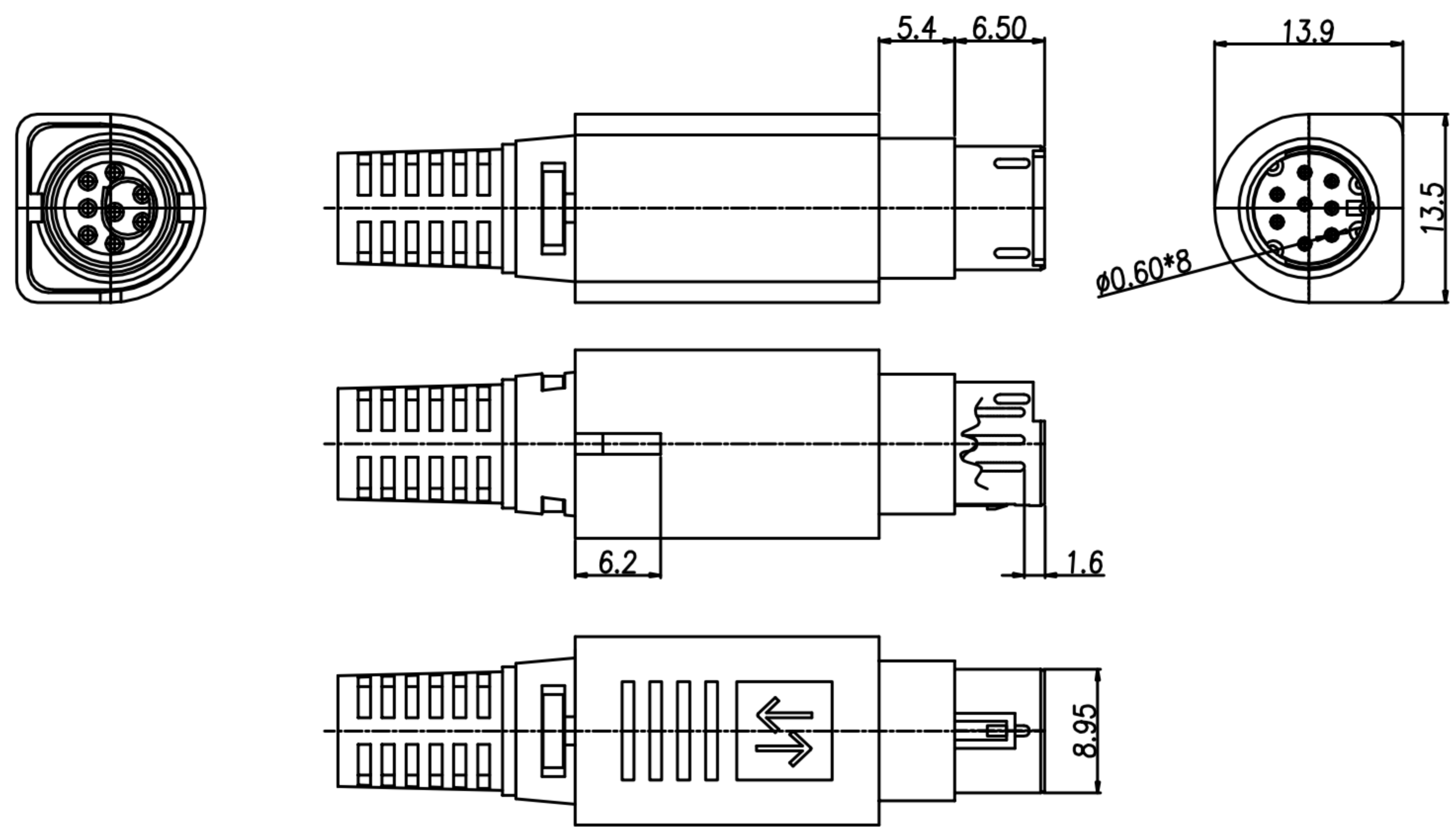
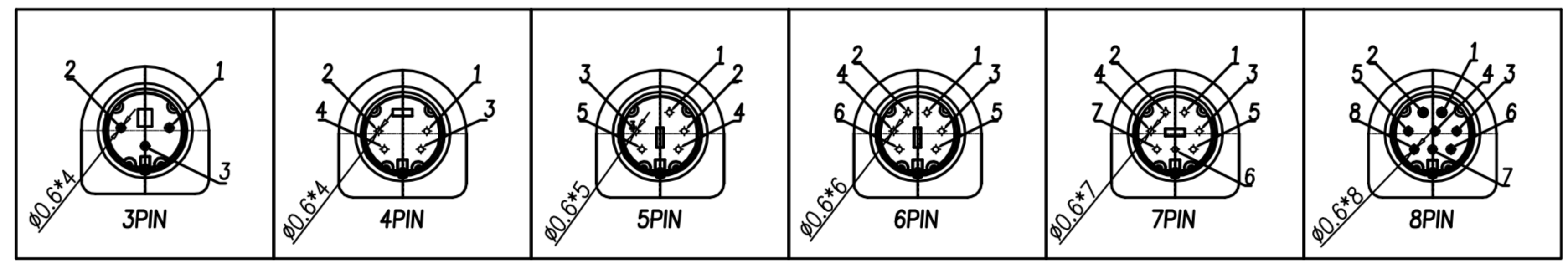


TABLE A

PART No.	TITLE	SR	銅管下蓋
MD-03M2-08	MiniDin 3(M)Lock 裝配八件式	SR OD=6.5	H=8.7
MD-03M2-06	MiniDin 3(M)Lock 裝配八件式	SR OD=4.0	H=8.7
MD-03M2-05	MiniDin 3(M)Lock 裝配八件式	SR OD=5.5	H=8.7
MD-03M2-04	MiniDin 3(M)Lock 裝配八件式	SR OD=5.0	H=8.7
MD-04M2-27-11	LOCK 4P 銅管下蓋 H=8.7	SR OD=4.5	H=8.7
MD-04M2-24-11	LOCK 4P 銅管下蓋 H=5.6	SR OD=4.5	H=5.6
MD-04M2-12	MiniDin 4(M)Lock 裝配式	SR OD=7.0	H=8.7
MD-04M2-11	MiniDin 4(M)Lock 裝配八件式	SR OD=4.0	H=8.7
MD-04M2-10	LOCK 4P	SR OD=5.0	H=8.7
MD-04M2-09	LOCK 4P	SR OD=5.5	H=8.7
MD-04M2-08	LOCK 4P	SR OD=6.5	H=8.7
MD-05M2-16-11	MiniDin 5(M)Lock 裝配六件式(無SR)		
MD-05M2-11	Lock 5P	SR OD=6.5	H=8.7
MD-05M2-10	Lock 5P	SR OD=7.0	H=8.7
MD-05M2-08	Lock 5P	SR OD=3.5	H=8.7
MD-05M2-07	Lock 5P	SR OD=5.0	H=8.7
MD-05M2-06	Lock 5P	SR OD=5.5	H=8.7
MD-06M2-68	MiniDin 6(M)Lock 白灰色八件式雙箭SR5.5	SR OD=5.5	H=8.7
MD-06M2-53	MiniDin 6(M)Lock 八件式雙箭SR5.5	SR OD=5.5	H=8.7
MD-06M2-08	MiniDin 6(M)Lock 裝配式	SR OD=5.0	H=8.7
MD-06M2-07	LOCK 6P	SR OD=6.5	H=8.7
MD-07M2-09	LOCK 7P 金30u"	SR OD=6.5	H=8.7
MD-07M2-02	LOCK 7P 表金	SR OD=6.5	H=8.7
MD-08M2-37-11	LOCK 8P(無SR)		H=8.7
MD-08M2-35	MiniDin 8(M)Lock 裝配七件式雙箭(無SR)		H=8.7
MD-08M2-33	MiniDin 8(M)Lock 裝配八件式	SR OD=4.0	H=8.7
MD-08M2-31	MiniDin 8(M)Lock 裝配式(綠色)	SR OD=6.5	H=8.7
MD-08M2-30	MiniDin 8(M)Lock 裝配式(紫色)	SR OD=6.5	H=8.7
MD-08M2-18	MiniDin 8(M)Lock 裝配式(紅色)	SR OD=6.5	H=8.7
MD-08M2-16	MiniDin 8(M)Lock 裝配式雙箭	SR OD=7.0	H=8.7
MD-08M2-15	LOCK 8P 金 30u"	SR OD=6.5	H=8.7
MD-08M2-14	MiniDin 8(M)Lock 裝配式(黑色)	SR OD=5.5	H=8.7
MD-08M2-12	MiniDin 8(M)Lock 裝配式	SR OD=6.5	H=8.7
MD-08M2-11	LOCK 8P	SR OD=6.5	H=8.7
MD-08M2-10	MiniDin 8(M)Lock 裝配式	SR OD=5.0	H=8.7

NOTE :

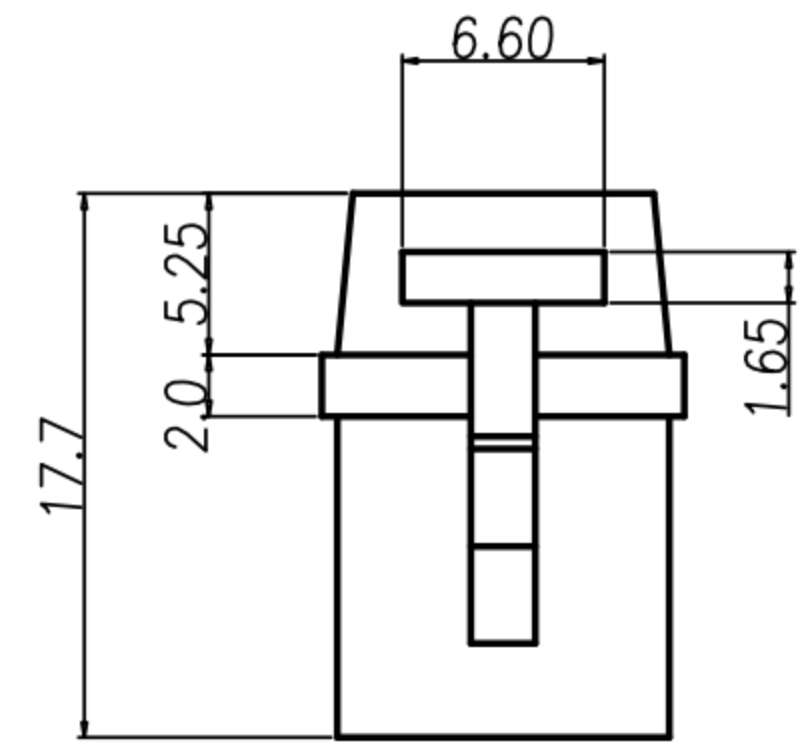
1. MATERIAL :
 - 1-1. PLASTIC COVER : ABS.
 - 1-2. SHELL : BRASS
 - △ 1-3. POM RING: POM.
 - 1-4. HOUSING: PBT
 - 1-5. CONTACT : BRASS
 - 1-6. SPRING : STEEL
 - 1-7. METAL CAP : BRASS
 - 1-8. TUBE : PC △
 - 1-9. SR: PVC.
2. FINISH :
 - 2-1. SHELL : NICKEL PLATED OVER ALL
 - 2-2. CONTACT : GOLD FLASH PLATED
 - 2-3. SPRING : NICKEL PLATED OVER ALL
 - 2-4. METAL CAP : NICKEL PLATED OVER ALL
3. ELECTRICAL SPECIFICATION :
 - 3-1. RATED CURRENT : 1A
 - 3-2. RATED VOLTAGE : 100V
 - 3-3. DIELECTRIC STRENGTH : 250V AC / 1 minute
4. ENVIRONMENTAL :
 - 4-1. OPERATION TEMPERATURE : -20°~85°



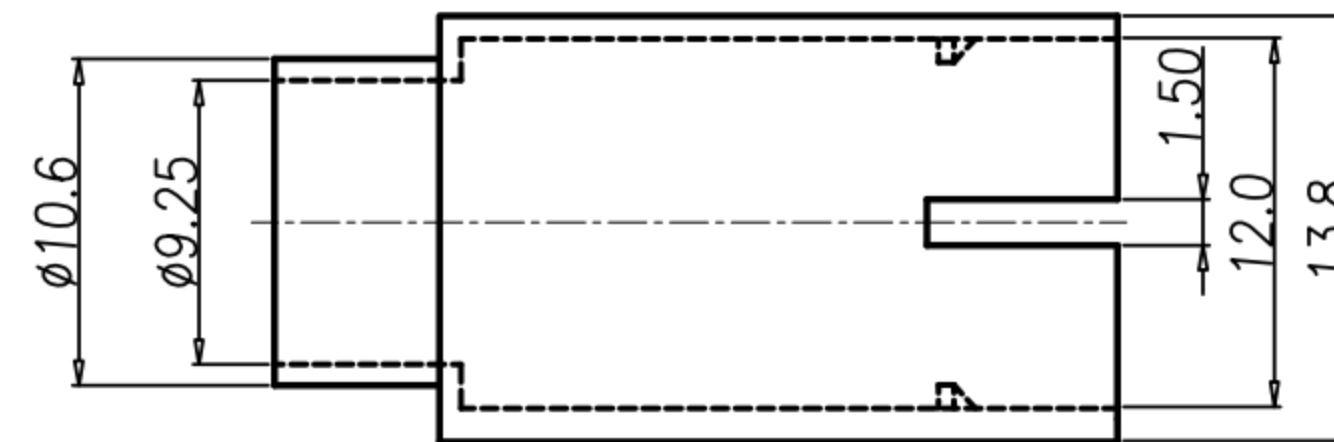
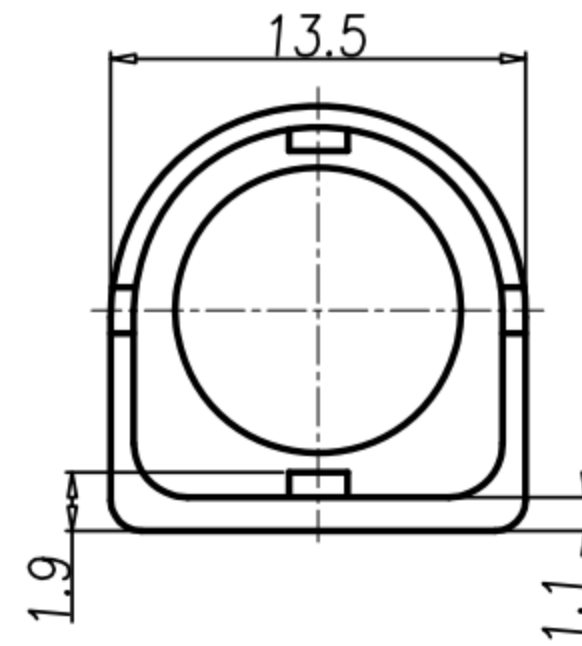
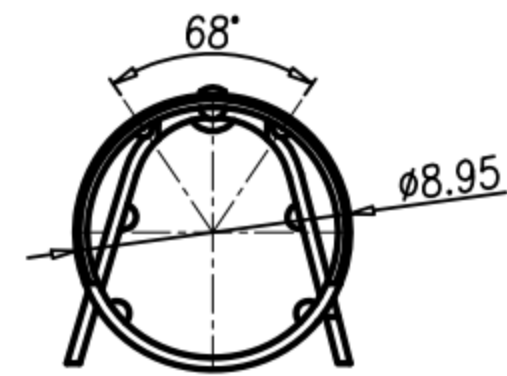
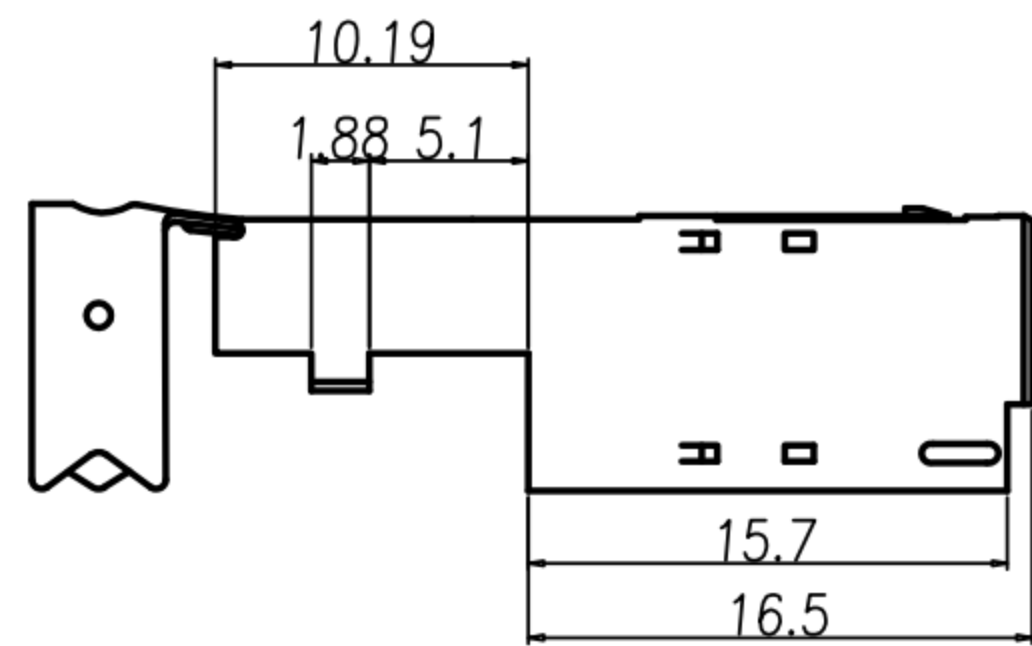
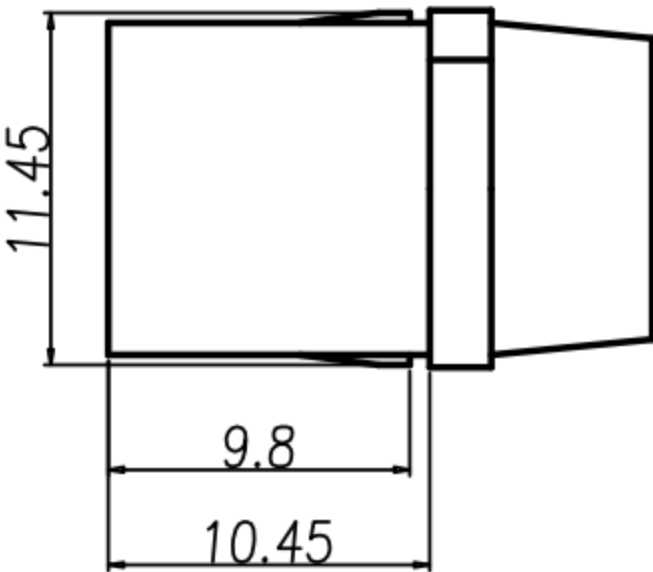
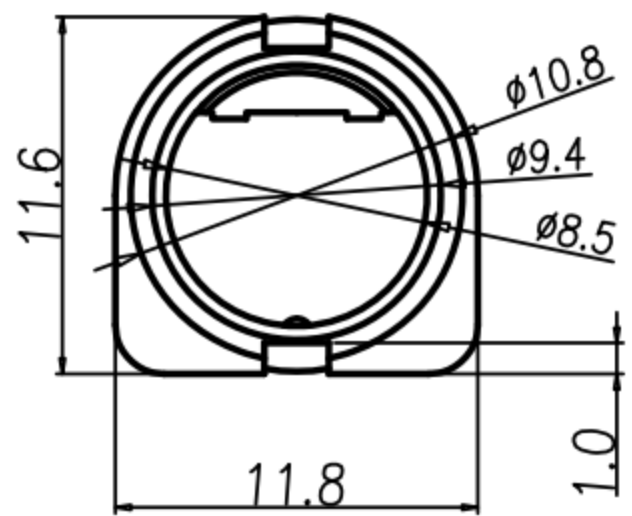
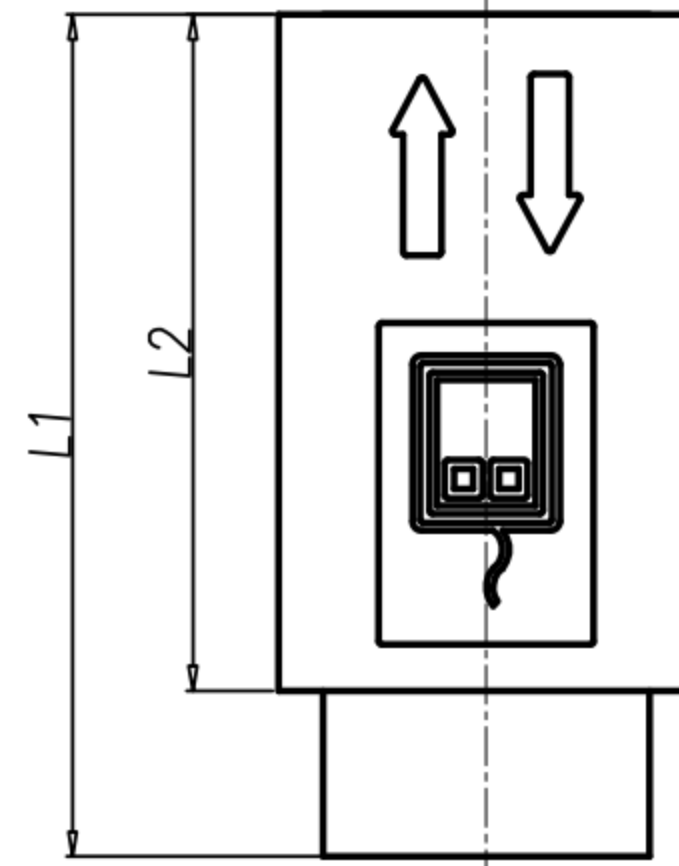
DRAWN	Emily Suen	APP'D	Fido Weng	UNIT	mm	TOLERANCE			TITLE	SEE TABLE A			SHEET
CHK'D	Emily Suen			SCALE	1:1	.x ±0.20 .xx ±0.10 .xxx ±0.05 .xxxx ±0.03 ANGULA ±1°			PART NO.	SEE TABLE A	DWG NO.	QC1009	

CUSTOMER DRAWING

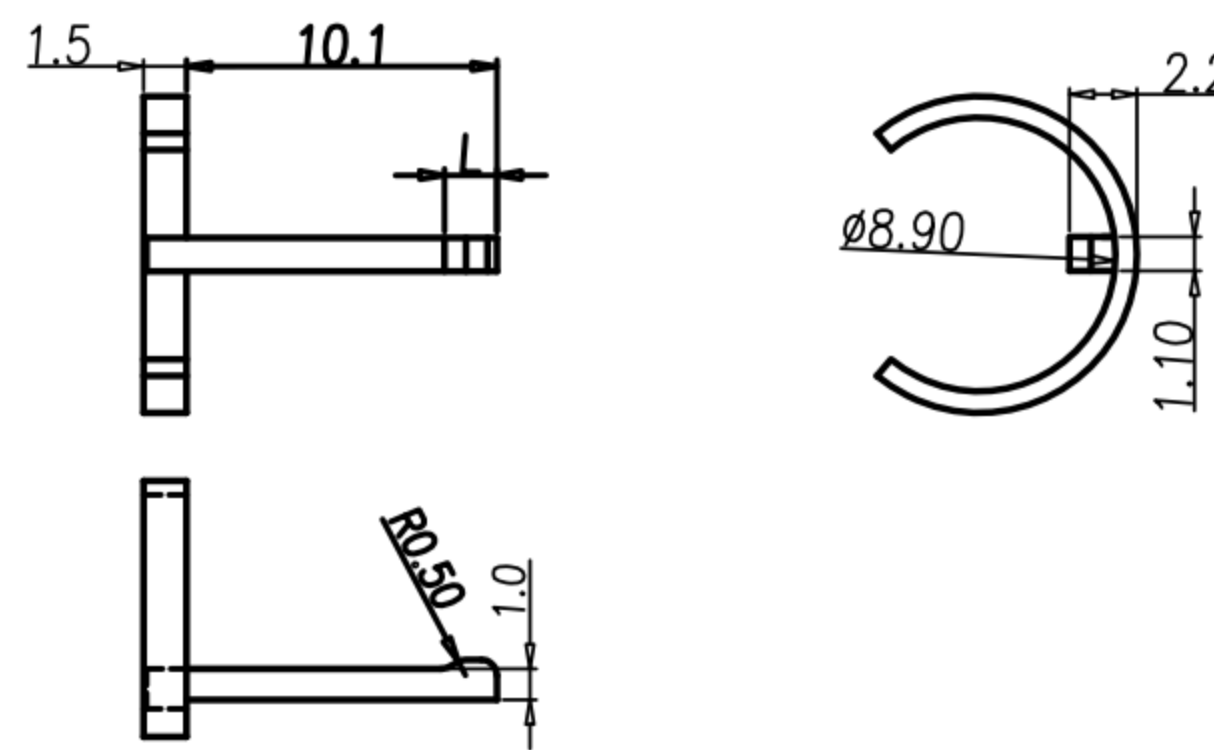
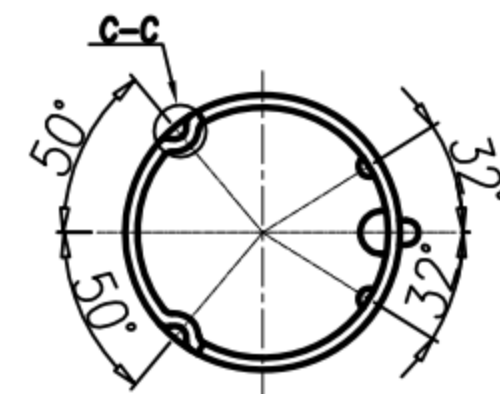
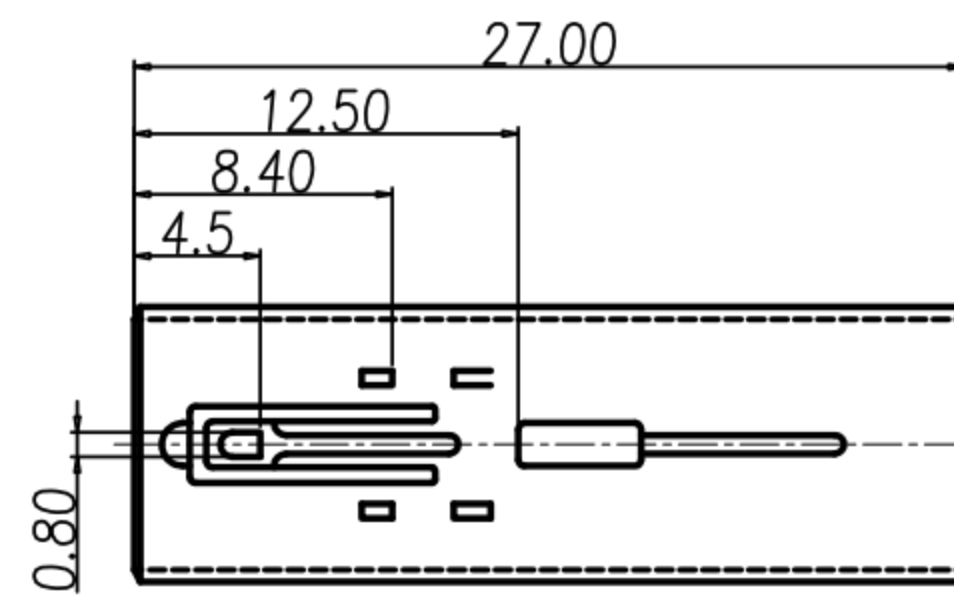
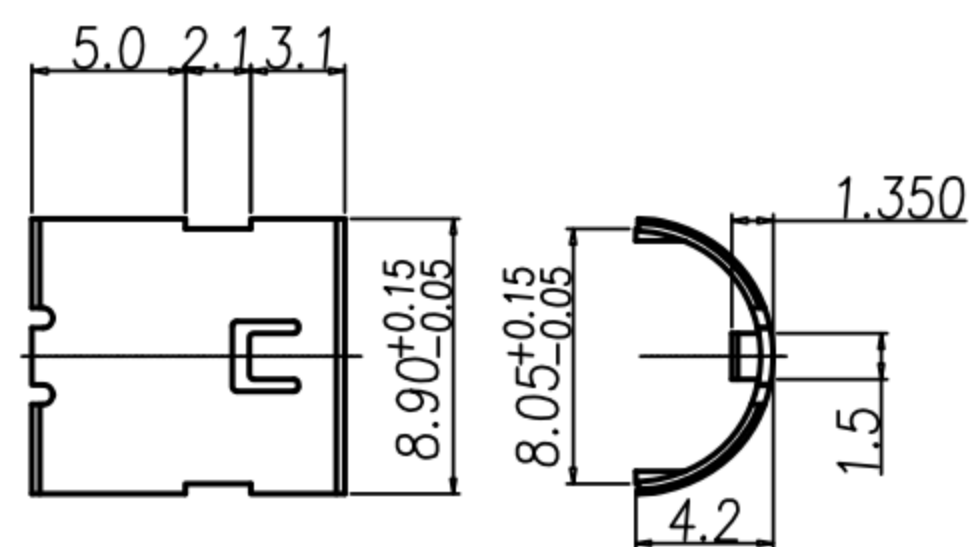
REV.	DESCRIPTION	APPROVED BY	DATE	ECN NO.
N	TABLE A	Fido Weng	23/03/10*	
O	ADD NEW PART IN TABLE A	Fido Weng	22/10/10*	ECN10118
P	ADD NEW PART IN TABLE A	Fido Weng	03/06/13*	



ON-DM0256	LOCK中筒(紅)
ON-DM0152	LOCK中筒(白灰)
ON-DM0086	LOCK中筒(黑)
P/N	DESCRIPTION



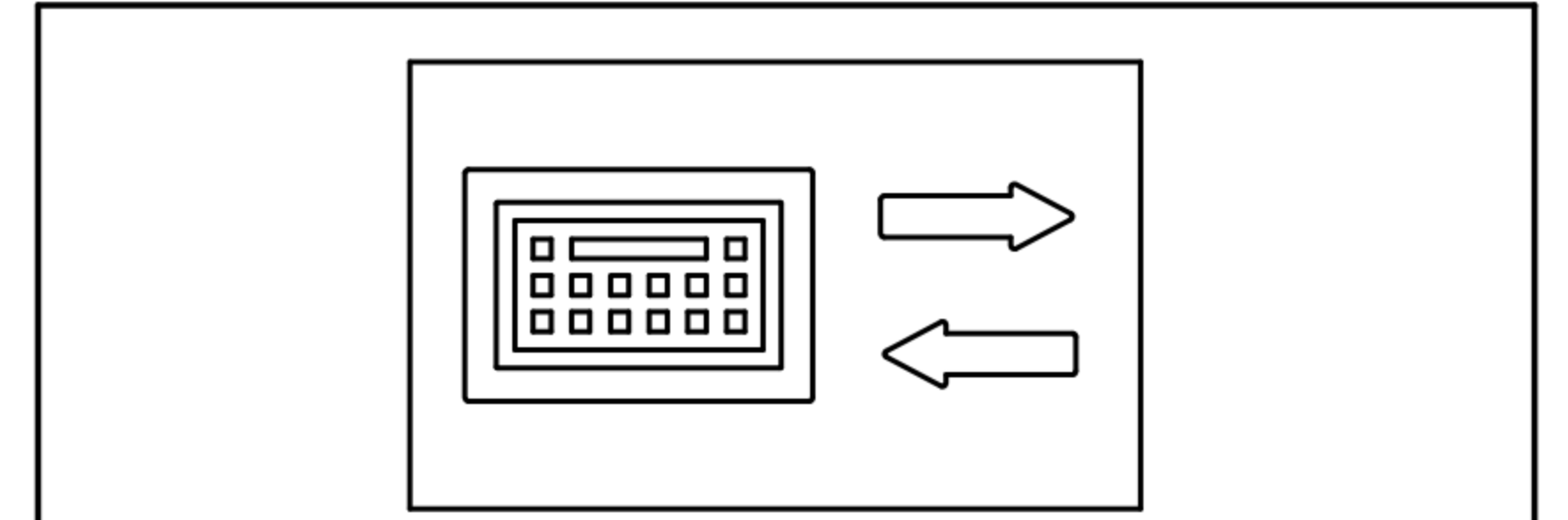
OY-DM0226 LOCK 銅管下蓋 (八件式)



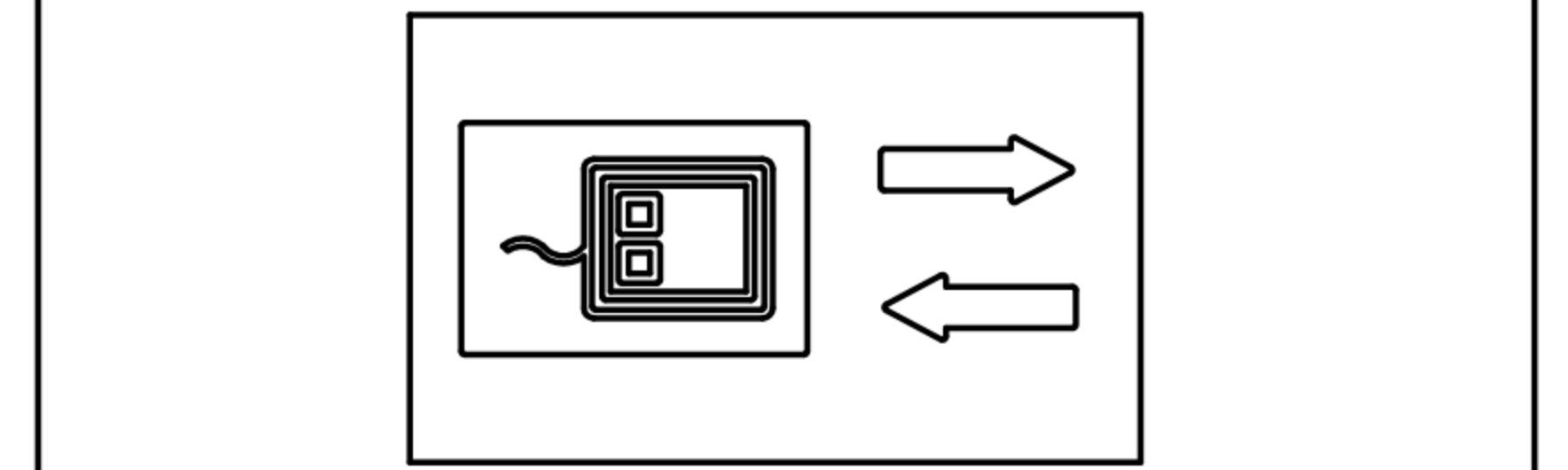
OY-DM0227 LOCK 銅管上蓋(八件式)

OY-DM0020 LOCK 銅管

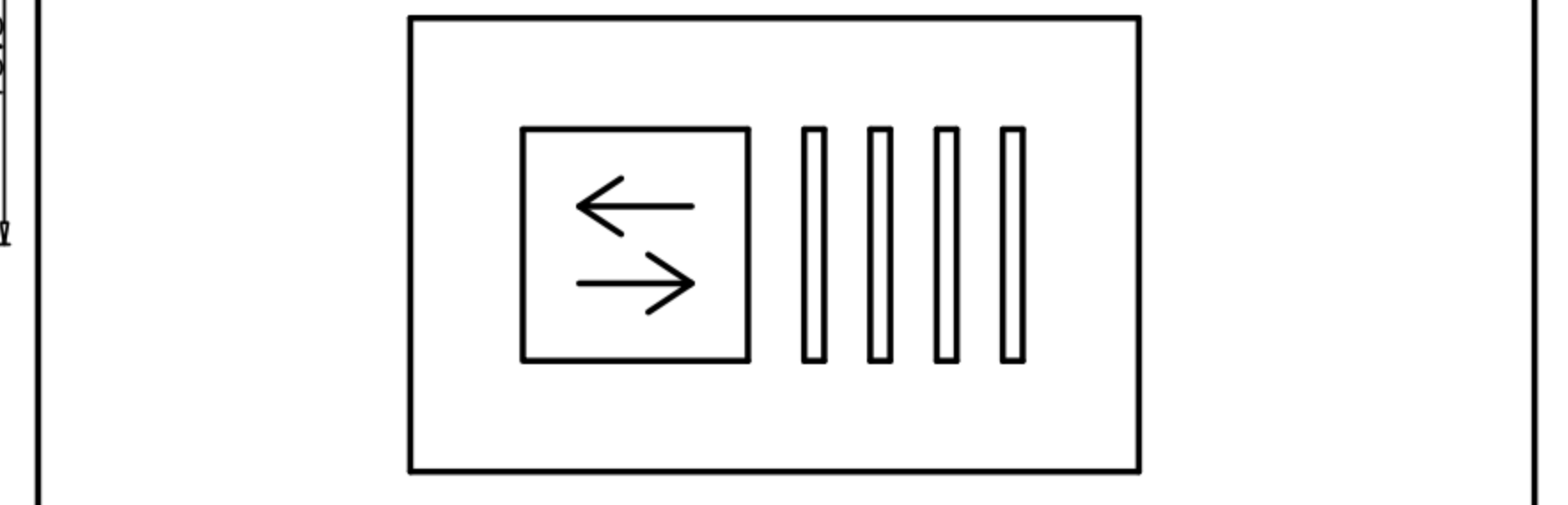
ON-DM0029	LOCK 塑膠單腳(長)	2.2
ON-DM0020	LOCK 塑膠單腳	1.7
P/N	DESCRIPTION	L



ON-DM0266 LOCK 外套(紫)ABS(L1=27.4,L2=22.0)



ON-DM0265 LOCK 外套(紫)ABS(L1=27.4,L2=22.0)



ON-DM0292 MiniDin Lock后套-雙箭頭無印字(特殊灰)

ON-DM0302 LOCK 外套(綠色)ABS(L1=27.4,L2=22.0)

ON-DM0301 LOCK 外套(紫色)ABS(L1=27.4,L2=22.0)

ON-DM0275 LOCK 外套(黑)NYLON(L1=27.2,L2=21.8)

ON-DM0255 LOCK 外套(紅)ABS(L1=27.4,L2=22.0)

ON-DM0019 LOCK 外套(黑)ABS(L1=27.4,L2=22.0)

ON-DM0025 LOCK 外套(灰)ABS(L1=27.4,L2=22.0)

ON-DM0026 LOCK 外套(貝吉)ABS(L1=27.4,L2=22.0)

ON-DM0151 LOCK雙箭頭外套(白灰)ABS(L1=27.4,L2=22.0)

DRAWN	Emily Suen	APP'D	Fido Weng	UNIT	mm	TOLERANCE	.x ±0.20 .xx ±0.10 .xxx ±0.05 .xxxx ±0.03 ANGULA ±1°	TITLE	SEE TABLE A			SHEET	2/3
CHK'D	Emily Suen	SCALE	1:1	SCALE	1:1	ANGULA	±1°	PART NO.	SEE TABLE A	DWG NO.	QC1009	VERSION	P
广东科斯达电子科技有限公司 GUANG DONG KE SI DA ELECTRONIC TECHNOLOGY CO., LTD.													