

CUSTOMER DRAWING

REV.	DESCRIPTION	APPVL. BY	DATE	ECN NO.
A	RELEASE	Fido Weng	28/12/10"	
B	ADD P/N	Emily Suen	27/06/12"	
C				

步驟一:

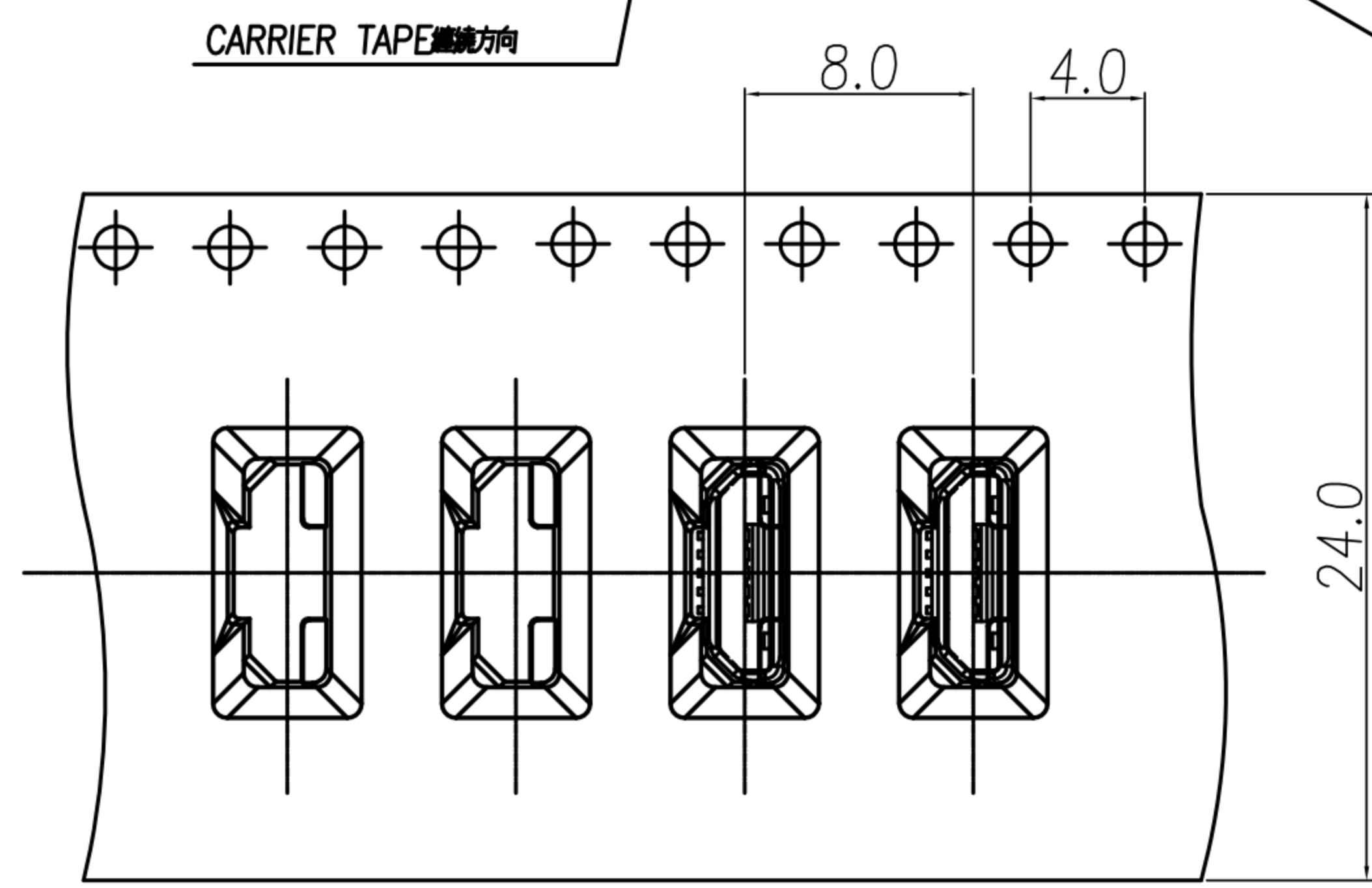
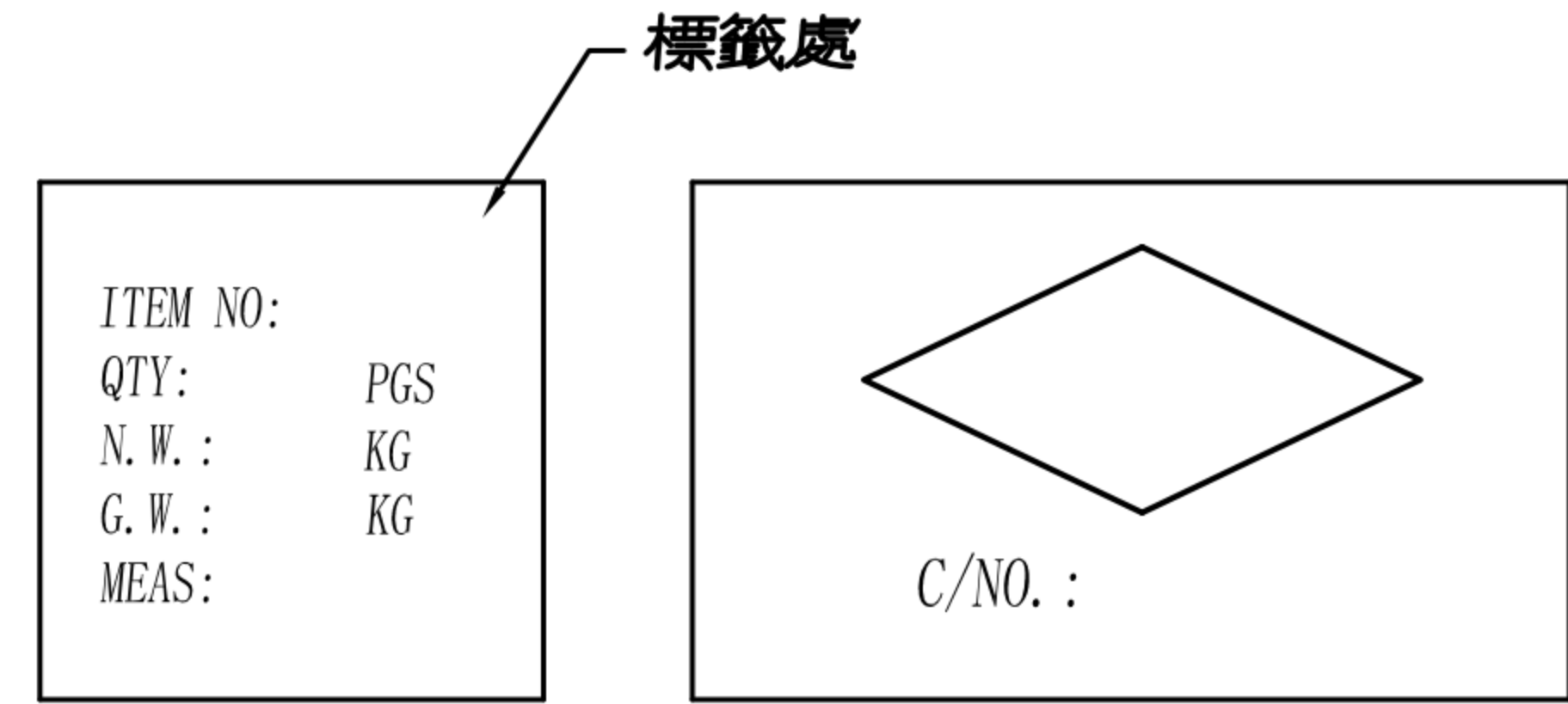
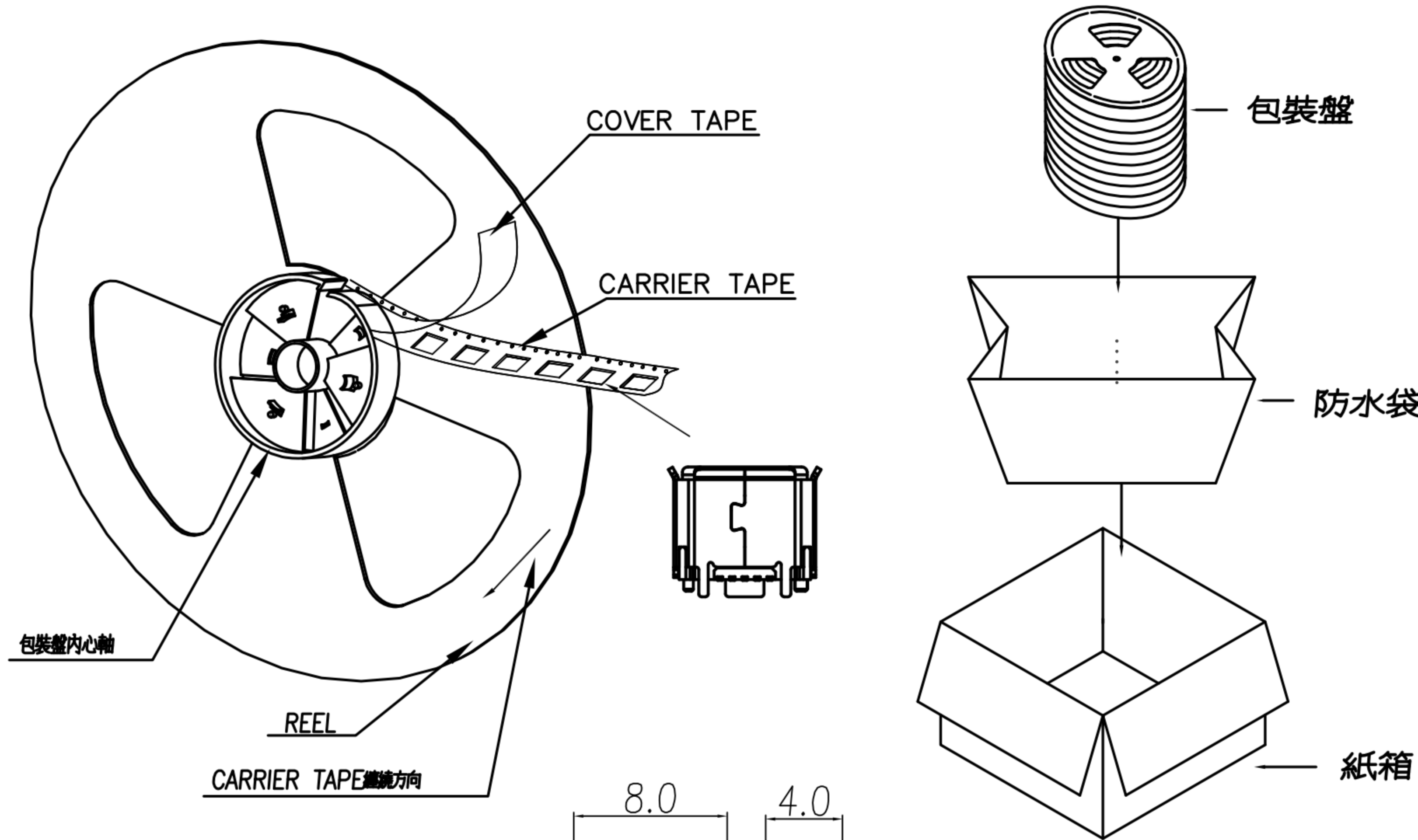
1. 將成品一一放入包裝盤內,依同一方向置入.
2. 包裝方式,如圖所示.
3. 一個包裝盤內1100pcs.

步驟二:

1. 一個紙箱可以裝10個包裝盤.
2. 每盤1100pcs,每箱11000pcs.
3. 將包裝盤放入防水袋中,包裝完後再封箱.

步驟三:

1. 用膠帶將紙箱封實.
2. 將標籤貼於紙箱上.



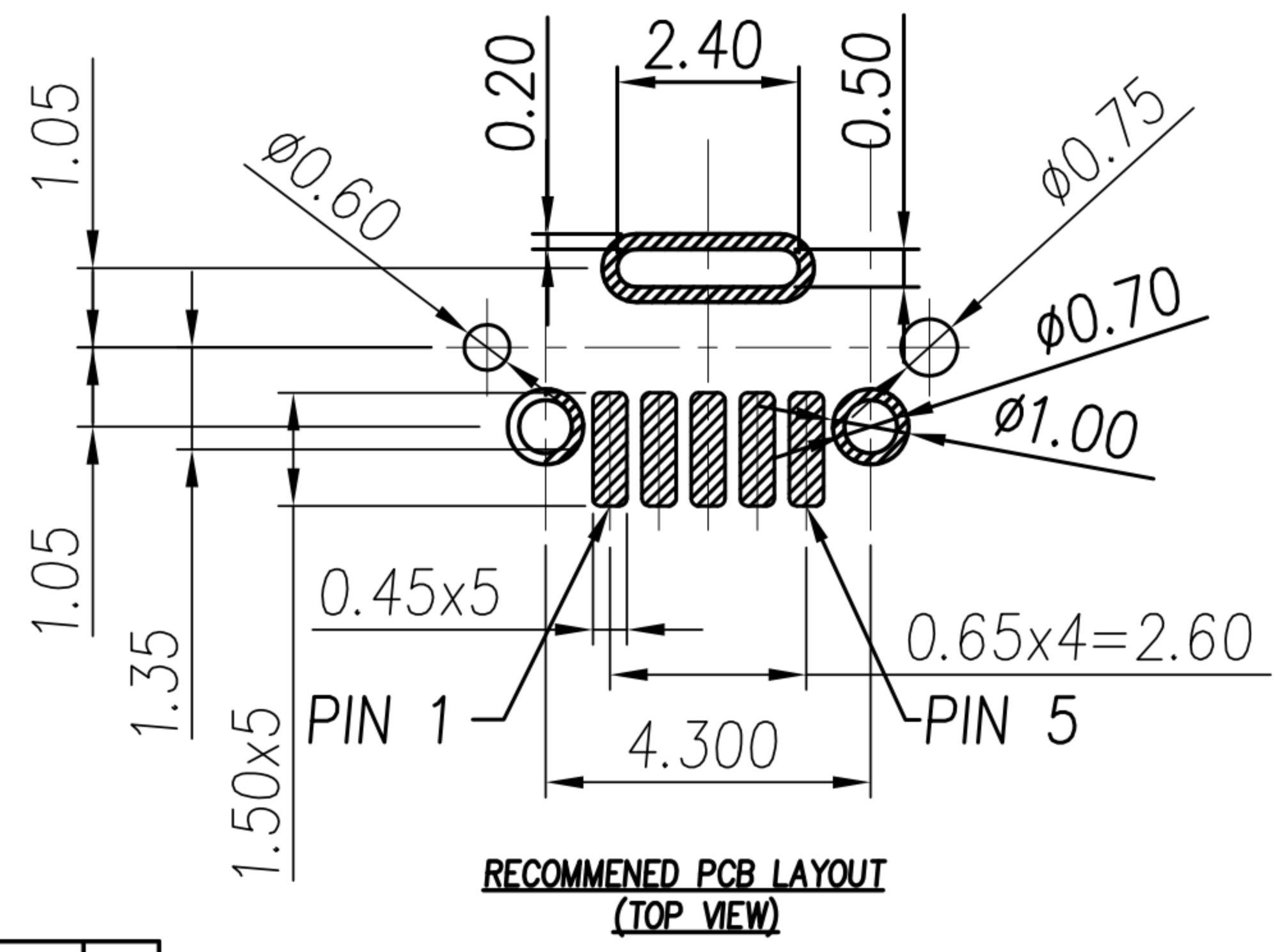
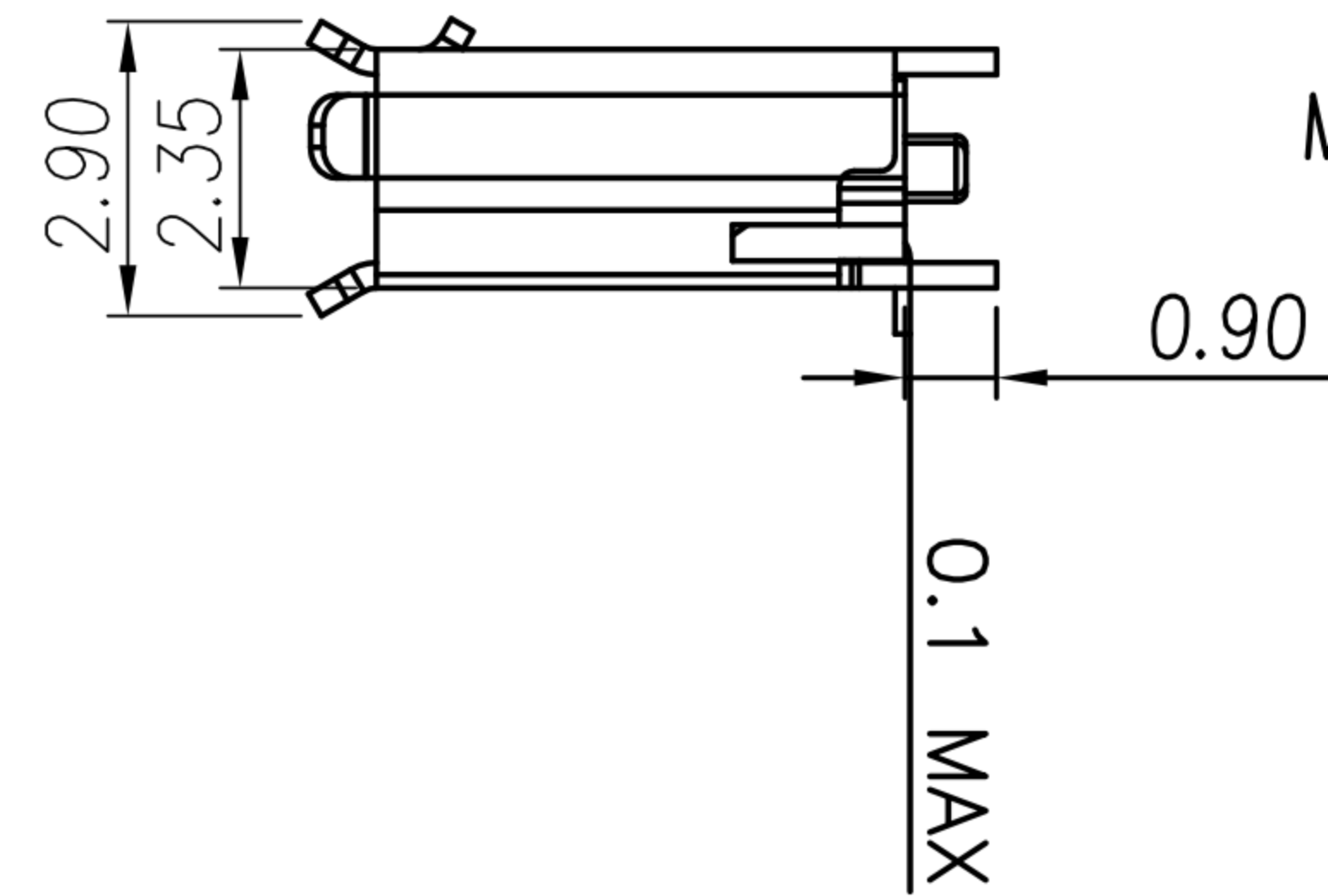
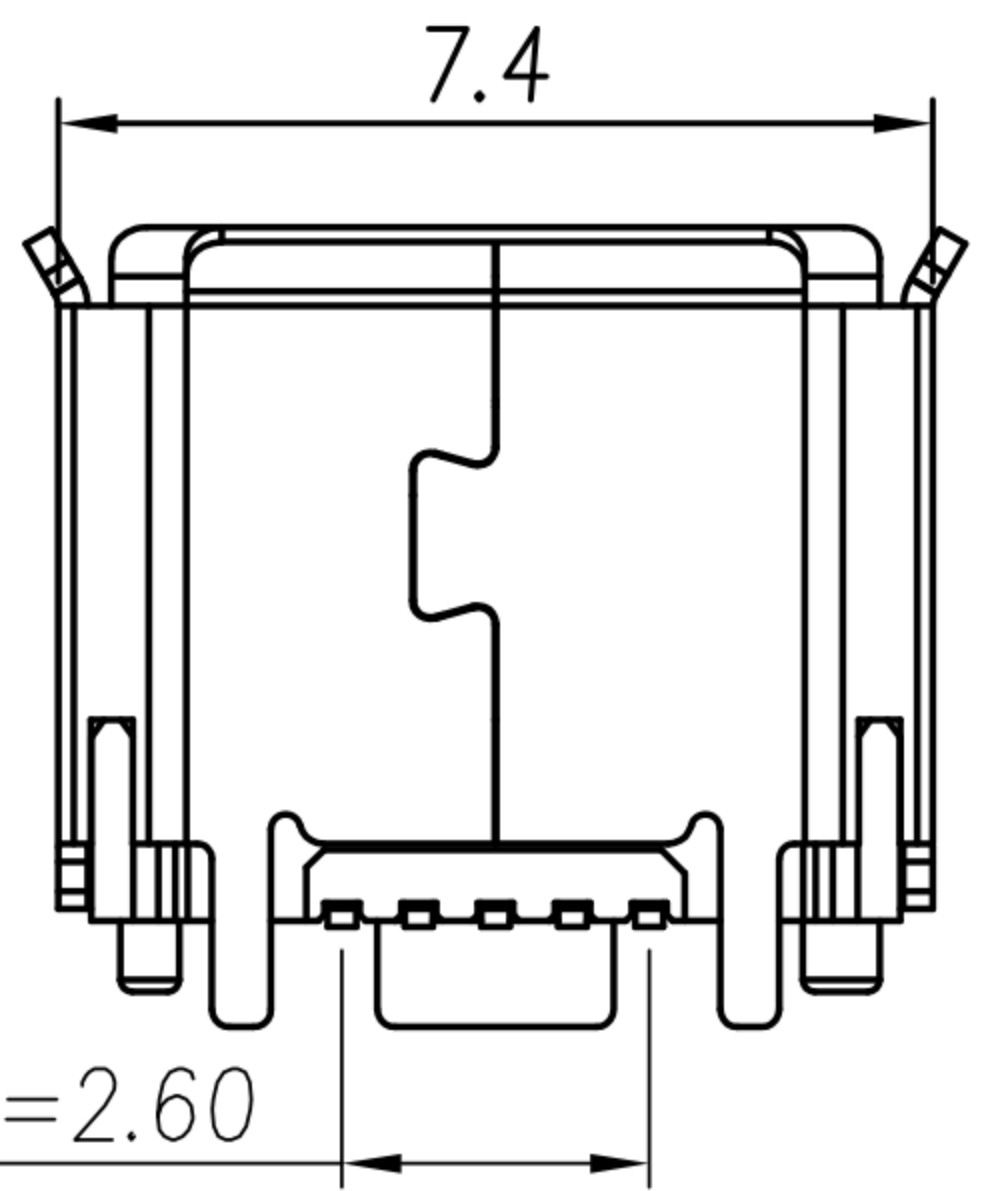
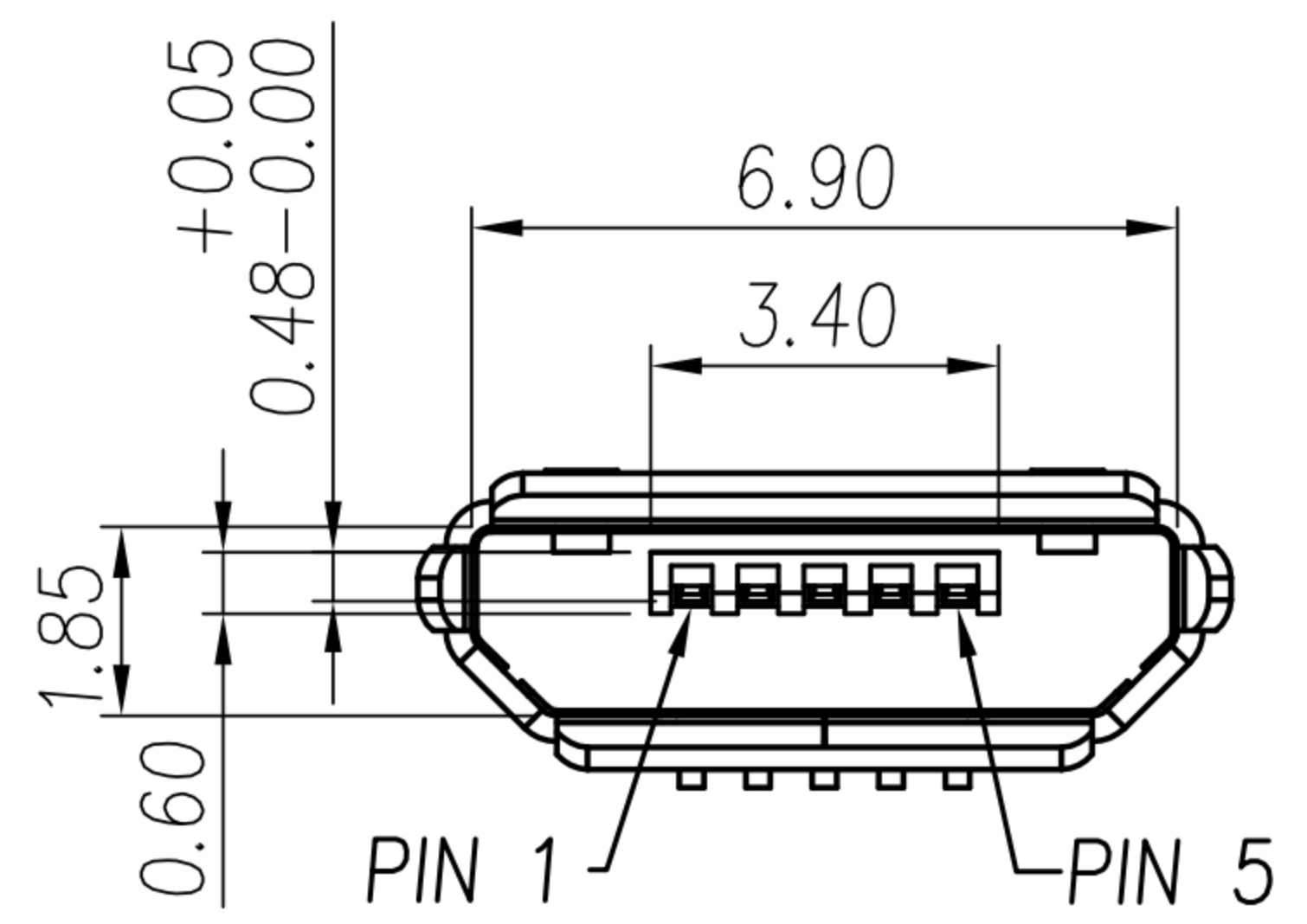
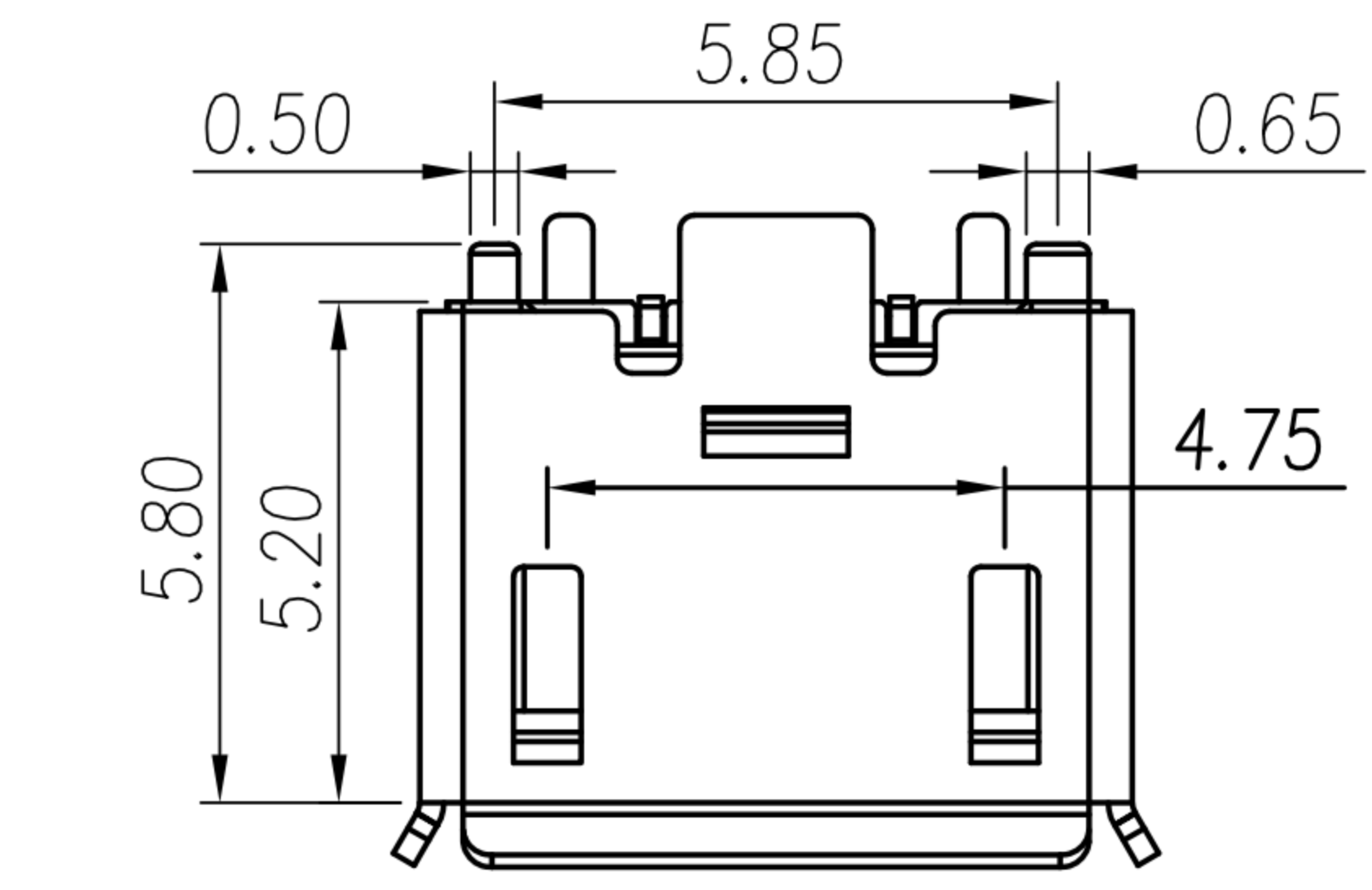
NOTE:

1. 若有未裝滿之零數箱,必須以緩衝材塞滿.
2. 在搬運過程中要輕拿輕放.
3. 載運輸中不可堆放過多,不可有重壓現象.
4. 在裝滿產品後,必須空留帶前和帶後15格以上,然後用紙膠布貼上.
5. 上帶在貼下帶時必須平整,且黏貼處不要出現氣泡.

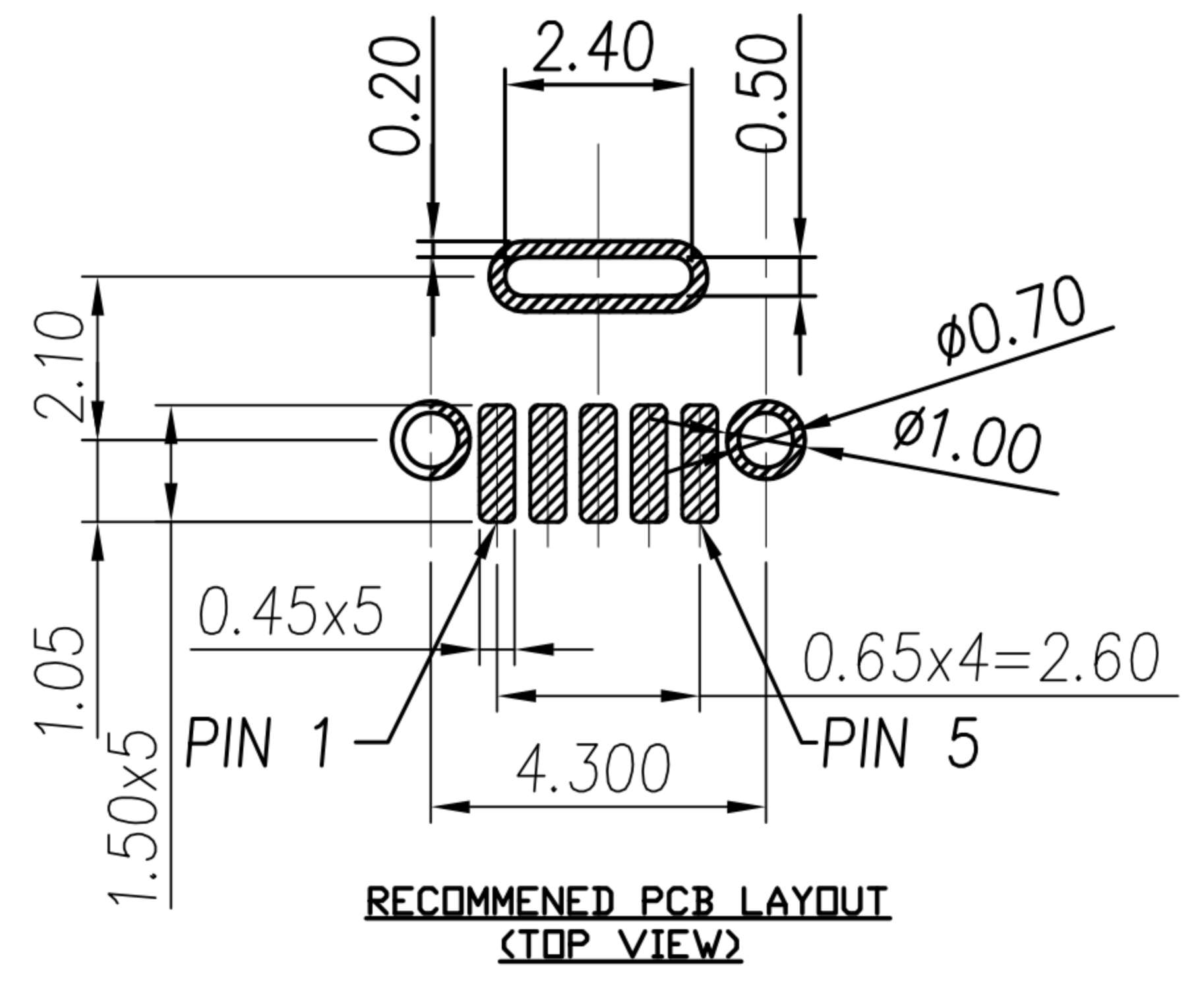
DRAW	Ren Liao	APPVL	Fido Weng	UNIT	mm	TOLERANCE		广东科斯达电子科技有限公司 GUANG DONG KE SI DA ELECTRONIC TECHNOLOGY CO., LTD.	TITLE	MICRO USB 5PIN(F) 直立式 DIP			SHEET	2
CHECK	Emily Suen			SCALE	1:1	.x ±0.20 .xx ±0.10 .xxx ±0.05 .xxxx ±0.03 ANGULA ±1°			PART NO.	SEE TABLE A	DWG NO.	QC5502	VERSION	B

CUSTOMER DRAWING

REV.	DESCRIPTION	APPROVED BY	DATE	ECN NO.
A	RELEASE	Fido Weng	28/12/10*	
B	ADD P/N	Emily Suen	27/06/12*	



RECOMMENED PCB LAYOUT (TOP VIEW)
MU-05F4-68/MU-05F4-74



RECOMMENED PCB LAYOUT (TOP VIEW)
MU-05F4-73

TABLE A

P/N	定位柱	CONTACT AERA	UNDERPLATED
MU-05F4-82-10	有定位柱	GOLD FLASH	NICKEL 50u" MIN.
MU-05F4-74	有定位柱	GOLD 50u" MIN	NICKEL 200u" MIN.
MU-05F4-73	无定位柱	GOLD 10u" MIN	NICKEL 50u" MIN.
MU-05F4-68	有定位柱	GOLD 10u" MIN	NICKEL 50u" MIN.

- MATERIAL :
 - 1-1. HOUSING : LCP UL94V-0 ; COLOR : BLACK
 - 1-2. CONTACT : PHOSPHOR BRONZE
 - 1-3. SHELL : STAINLESS STEEL
 - 1-4. CAP : LCP UL94V-0 ; COLOR : BLACK
- FINISH :
 - 2-1. CONTACT : CONTACT AERA : SEE TABLE A
GOLD FLASH ON OTHER AERA
UNDERPLATED : SEE TABLE A
 - 2-2. SHELL : MATTE TIN PLATED
- SPEC :
 - 3-1. CURRENT RATING : PIN1 & 5 1.8A(MAX) OTHER 0.5A PER PIN 1A

