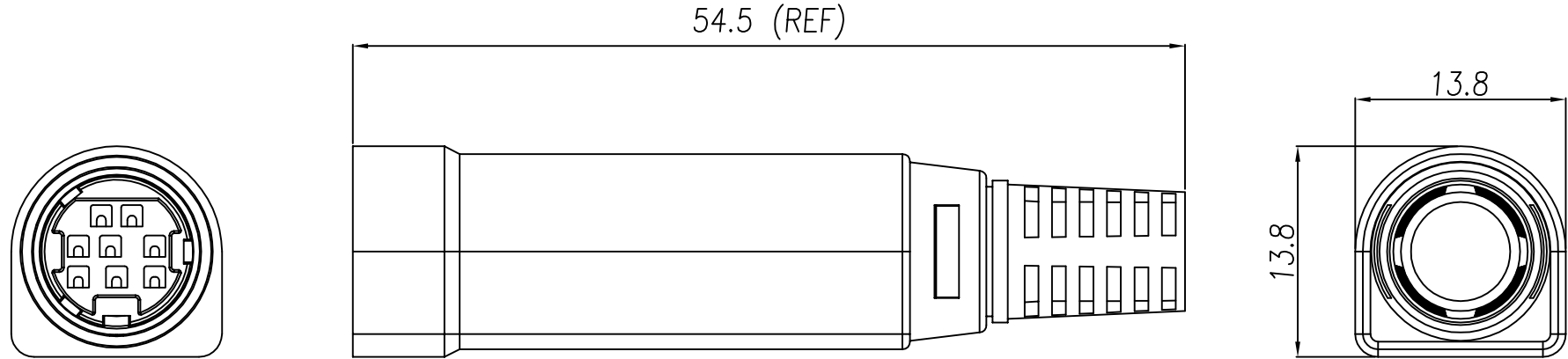


CUSTOMER DRAWING

REV.	DESCRIPTION	APPVL. BY	DATE	ECN NO.
A	RELEASE	Yeh Chou	19/06/20"	
B				
C				
D				



1. MATERIAL :
 - 1-1. HOUSING : PBT UL94V-0 ; COLOR : BLACK
 - 1-2. SHELL : BRASS
 - 1-3. BODY : ABS
 - 1-4. SR : PVC
2. FINISH :
 - 2-1. SHELL : NICKEL PLATED.
3. ELETRICAL SPECICATION :
 - 3-1. RATING CURRENT : 1A
 - 3-2. RATING VOLTAGE : 30V DC
4. ENVIRONMENTAL :
 - 4-1. OPERATION TEMPERATURE : -20℃~85℃

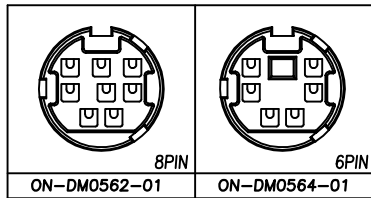
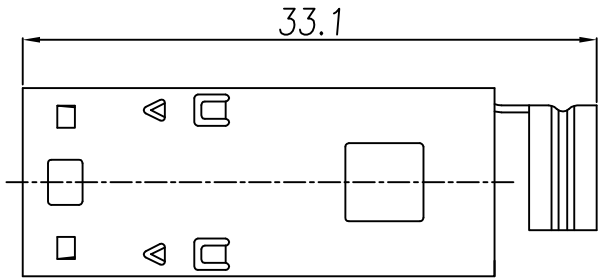
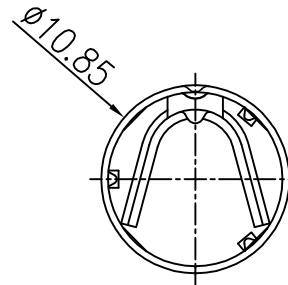
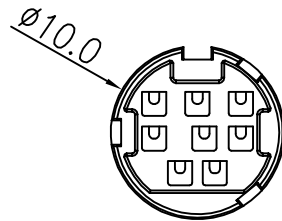
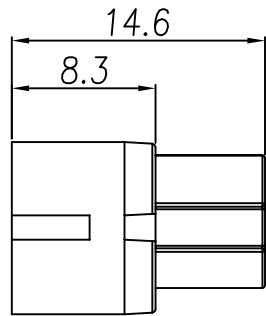
TABLE A

8PIN	6PIN
PD-08F2-06-01	PD-06F2-07-01

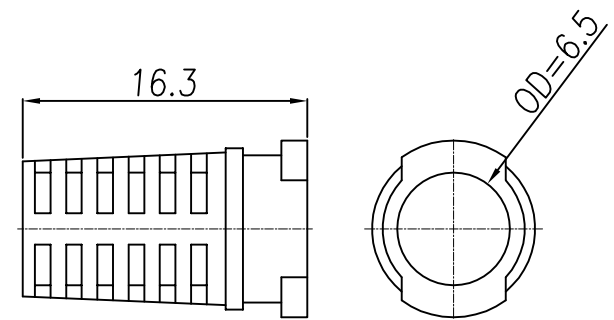
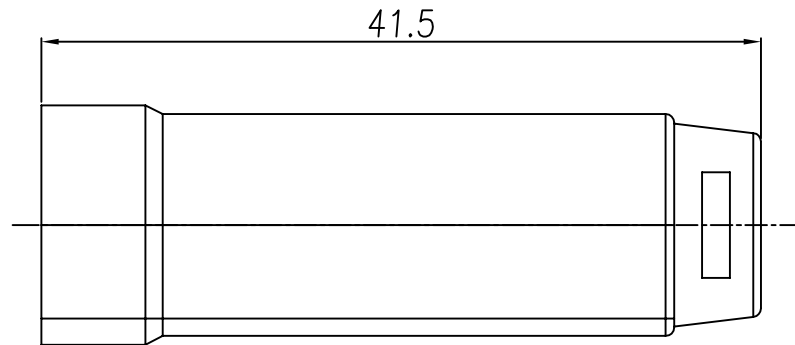
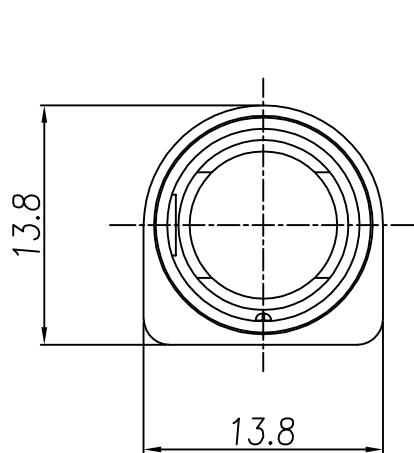
DRAW	Ku Chou	APPVL	Emily Suen	UNIT	mm	TOLERANCE			广东科斯达电子科技有限公司 GUANG DONG KE SI DA ELECTRONIC TECHNOLOGY CO., LTD.	TITLE	POWER DIN (F) 線插式 OD6.5(CRIMP TYPE)			SHEET
CHECK	Emily Suen			SCALE	1:1	.x ±0.20 .xx ±0.10 .xxx ±0.05 .xxxx ±0.01 ANGULA ±1°				PART NO.	PD-08F2-06-01	DWG NO.	QC9800	VERSION

CUSTOMER DRAWING

REV.	DESCRIPTION	APPVL. BY	DATE	ECN NO.
A	Release	Fideo Weng	19/06/20"	
B				
C				
D				



OY-DM0810-00



ON-DM0531-01

ON-DM0018

DRAW	Ku Chou	APPVL	Emily Suen	UNIT	mm	TOLERANCE				TITLE	POWER DIN (F) 線插式 OD6.5(CRIMP TYPE)			SHEET	2
CHECK	Emily Suen			SCALE	1:1							PART NO.	PD-08F2-06-01	DWG NO.	QC9800