

# CUSTOMER DRAWING

REV.	DESCRIPTION	APPROVED BY	DATE	ECN NO.
△A	RELEASE	Fido Weng	12/11/09'	
△B				
△C				

### 步驟一:

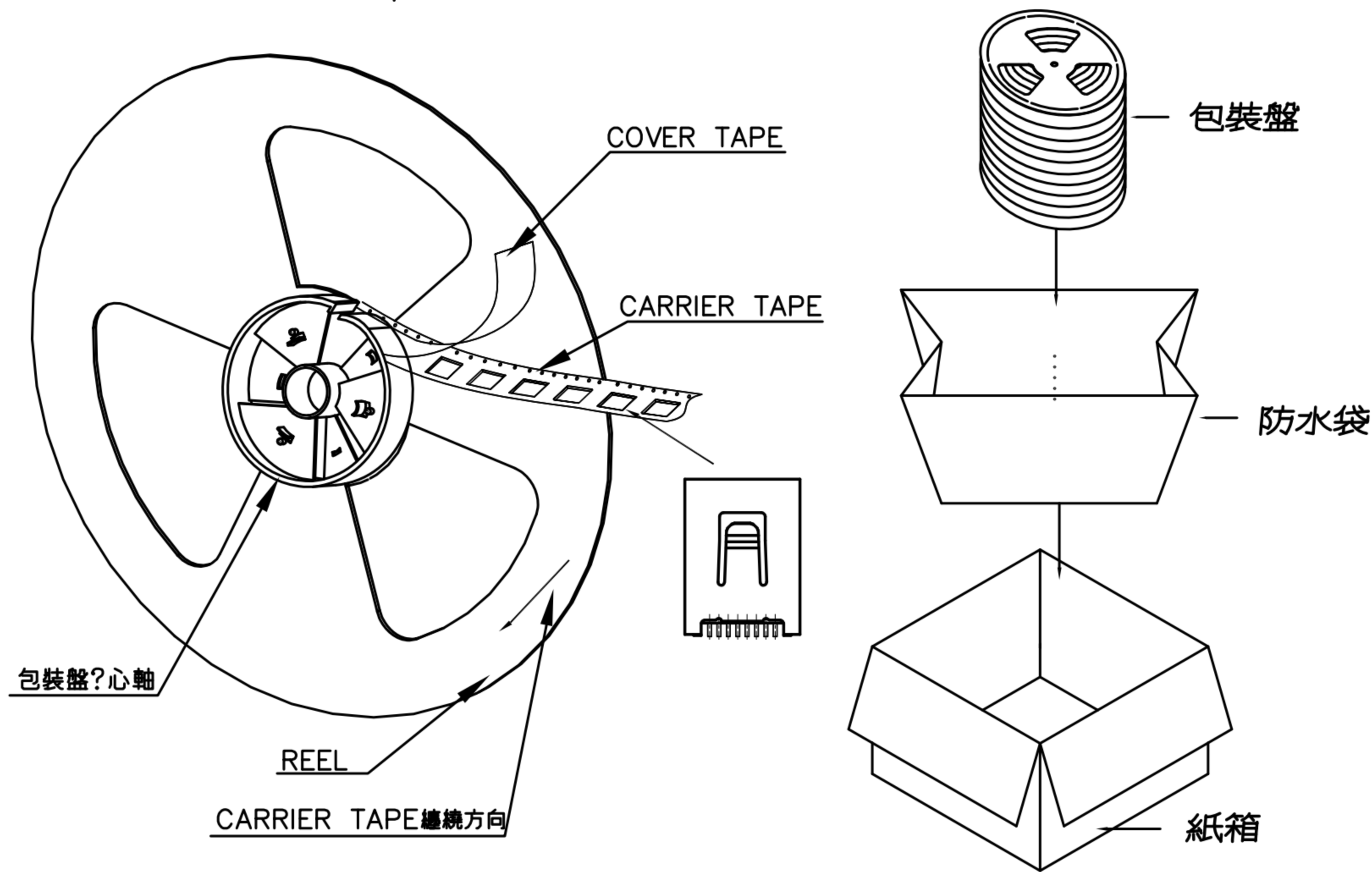
- 將成品一一放入包裝盤內,依同一方向置入.
- 包裝方式,如圖所示.
- 一個包裝盤內1200pcs.

### 步驟二:

- 一個紙箱可以裝14個包裝盤.
- 每盤1200pcs,每箱16800pcs.
- 將包裝盤放入防水袋中,包裝完後再封箱.

### 步驟三:

- 用膠帶將紙箱封實.
- 將標籤貼於紙箱上.



ITEM NO:  
 QTY: PGS  
 N.W.: KG  
 G.W.: KG  
 MEAS:

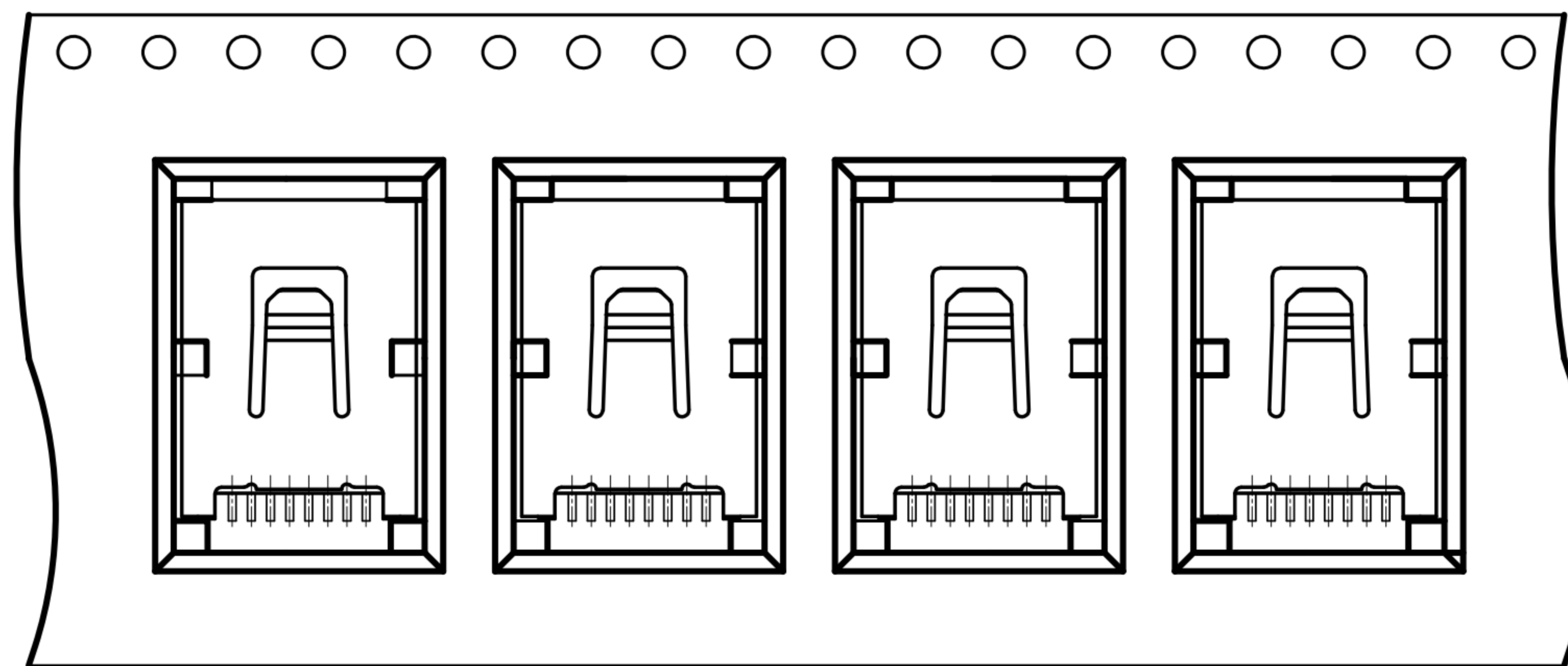
標籤處  
 C/NO.:

### NOTE:

- 若有未裝滿之零數箱,必須以緩衝材塞滿.
- 在搬運過程中要輕拿輕放.
- 載運輸中不可堆放過多,不可有重壓現象.
- 在裝滿產品後,必須空留帶前和帶後15格以上,然後用紙膠布貼上.
- 上帶在貼下帶時必須平整,且黏貼處不要出現氣泡.

TABLE A

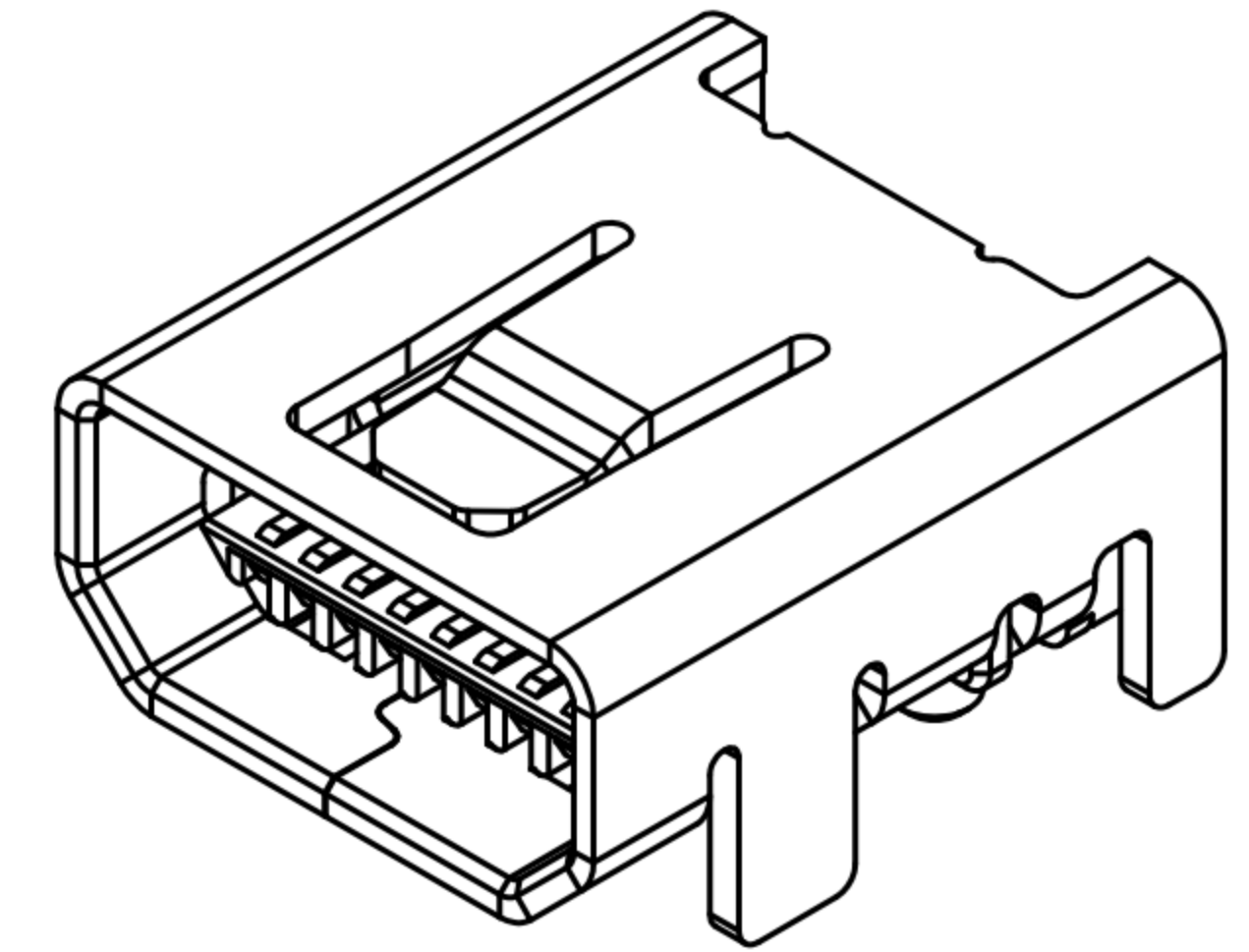
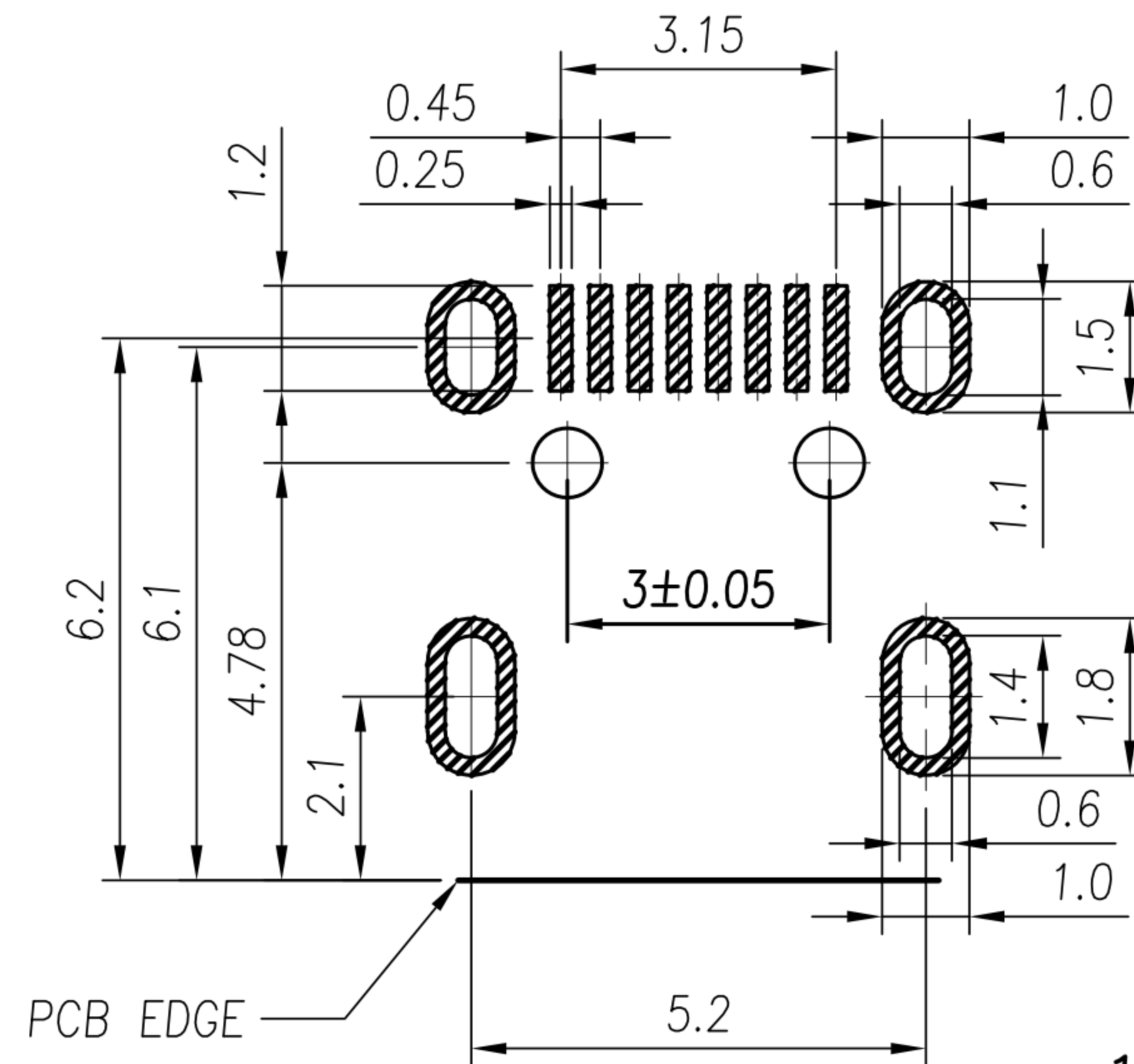
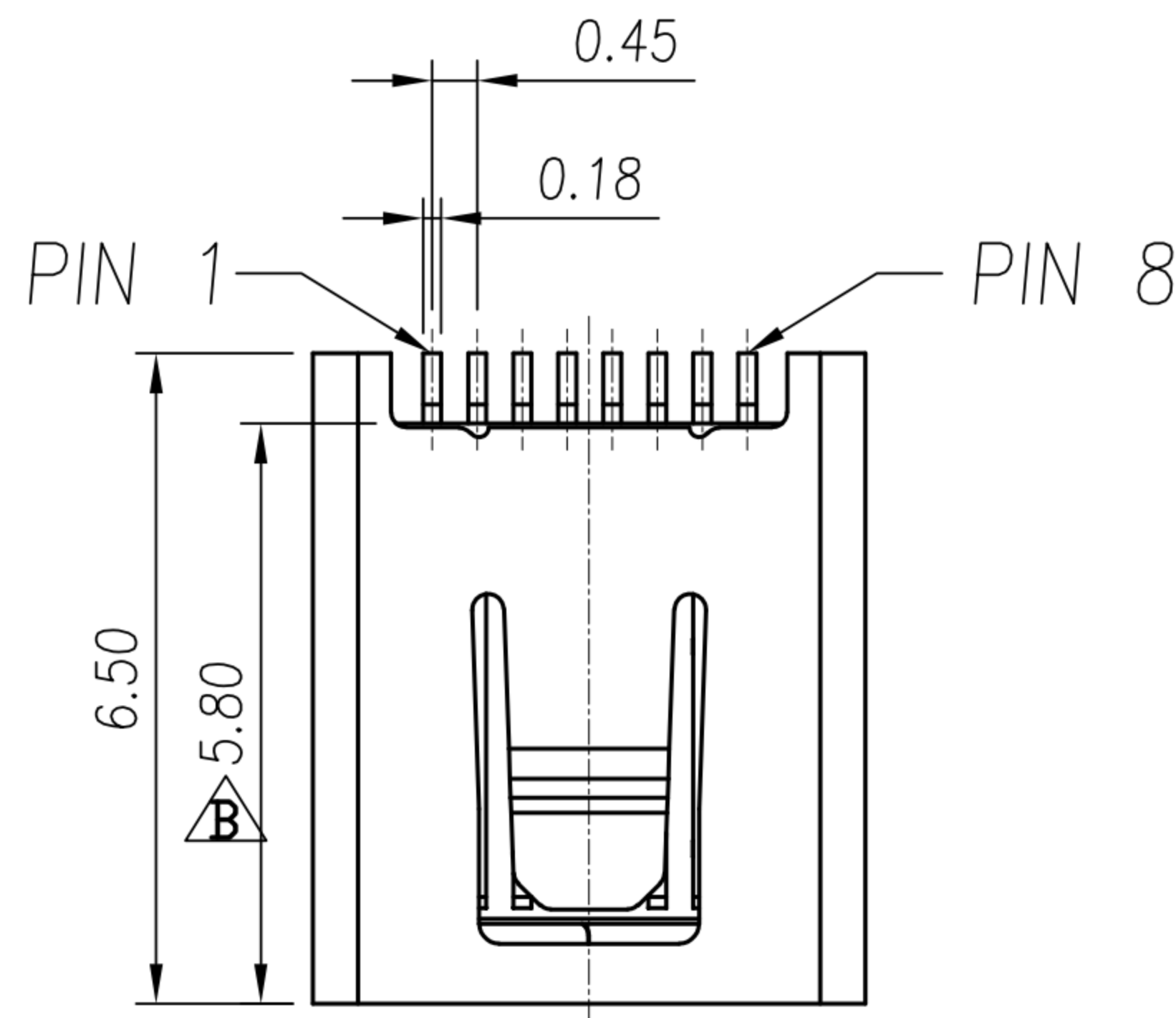
MU-08F4-27	GOLD 10u"	NICKEL 60u"
MU-08F4-10	GOLD 30u"	GOLD FLASH
MU-08F4-01	GOLD 10u"	GOLD FLASH
P/N	CONTACT	SHELL



DRAWN	Jen Xie	APP'D	Fido Weng	UNIT	mm	TOLERANCE			TITLE	MINI USB 8(F) 轉接式 SMT			SHEET
CHK'D	Emly Suen			SCALE	1:1	.x ±0.20 .xx ±0.10 .xxx ±0.05 .xxxx ±0.03 ANGULA ±1°			PART NO.	SEE TABLE A	DWG NO.	QC1419	VERSION B

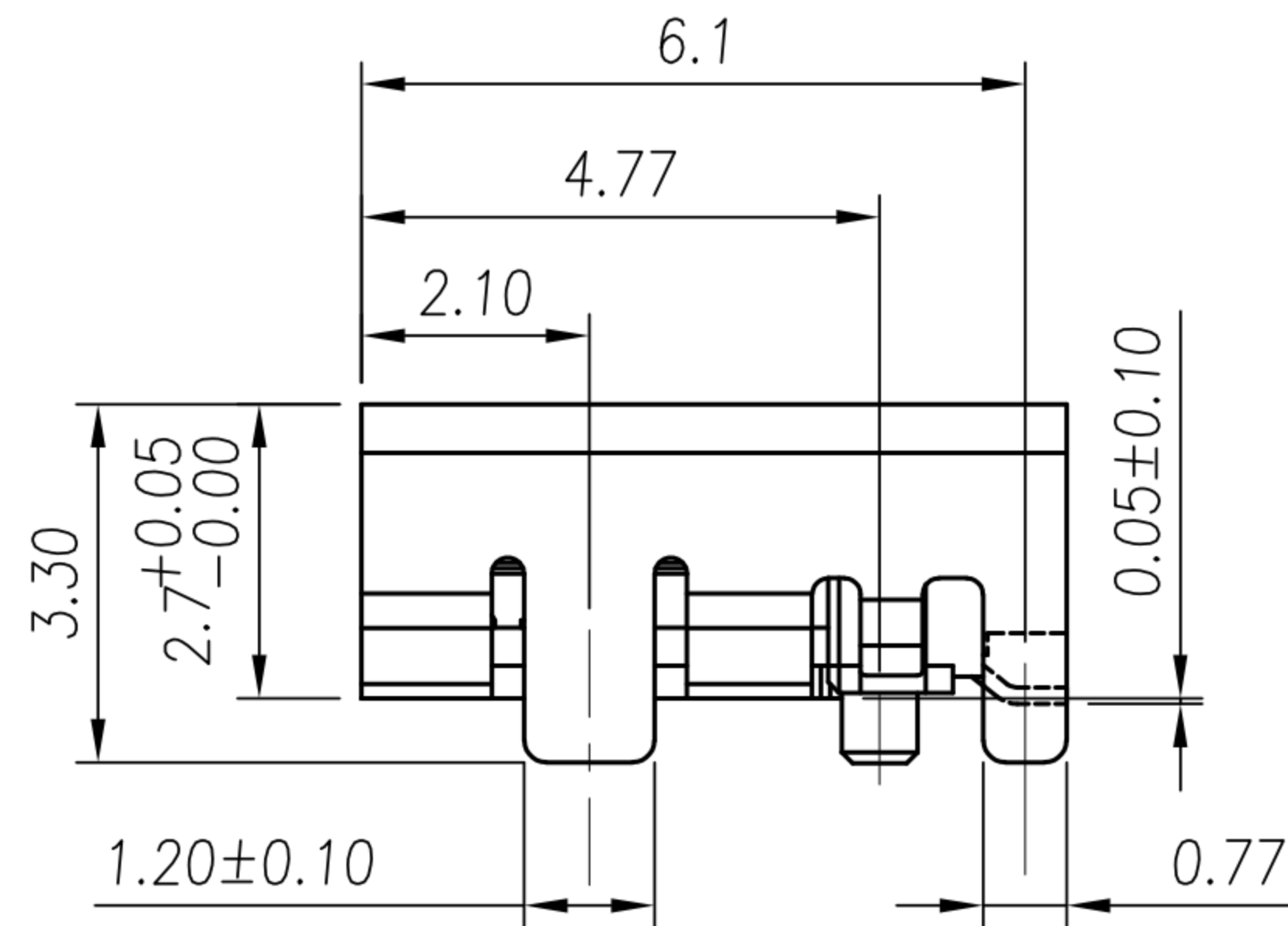
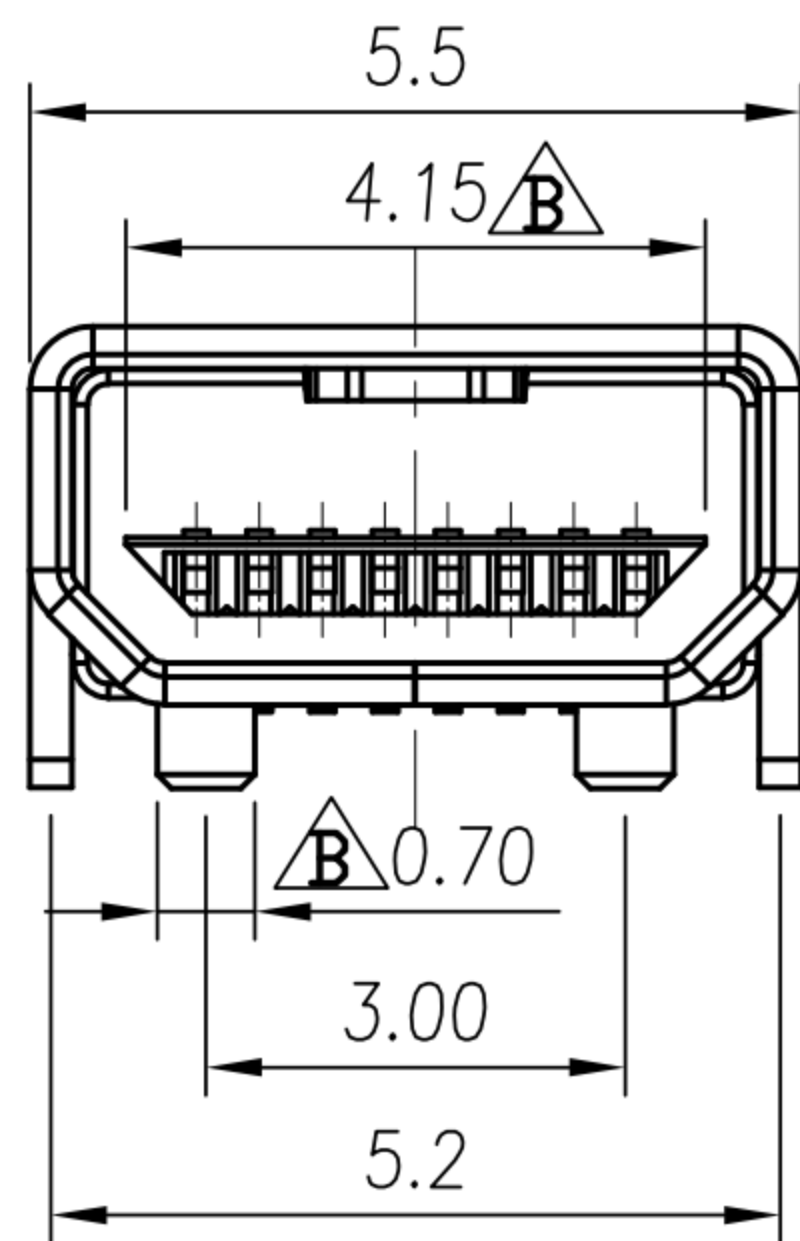
# CUSTOMER DRAWING

REV.	DESCRIPTION	APPROVED BY	DATE	ECN NO.
A	RELEASE	Fido Weng	12/11/09'	
B	MODIFY DRAWING	Fido Weng	12/01/10'	ECN10139
C				



## PCB LAYOUT

- MATERIAL :
  - 1-1. HOUSING : LCP ; COLOR : BLACK
  - 1-2. CONTACT : PHOSPHOR BRONZE
  - 1-3. SHELL : PHOSPHOR BRONZE
- FINISH :
  - 2-1. CONTACT : GOLD 10u"
    - UNDER PLATE : NICKEL
  - 2-2. SHELL : GOLD FLASH OVER ALL
    - UNDER PLATE : NICKEL



## TABLE A

MU-08F4-27	GOLD 10u"	NICKEL 60u"
MU-08F4-10	GOLD 30u"	GOLD FLASH
MU-08F4-01	GOLD 10u"	GOLD FLASH
P/N	CONTACT	SHELL

DRAWN	Jen Xie	APP'D	Fido Weng	UNIT	mm	TOLERANCE		TITLE	MINI USB 8(F) 8脚式 SMT	SHEET
CHK'D	Emly Suen			SCALE	1:1	.x ±0.20 .xx ±0.10 .xxx ±0.05 .xxxx ±0.03 ANGULA ±1°		PART NO.	SEE TABLE A	1/2
								DWG NO.	QC1419	VERSION B

广东科斯达电子科技有限公司  
GUANG DONG KE SI DA ELECTRONIC TECHNOLOGY CO., LTD.