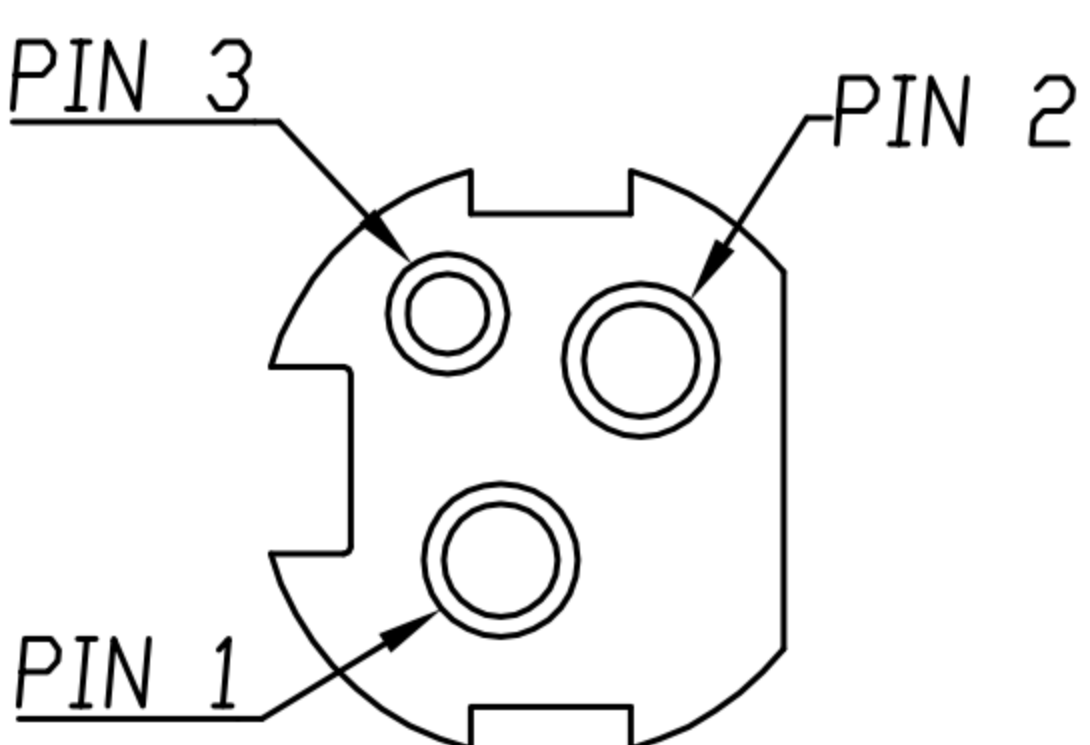
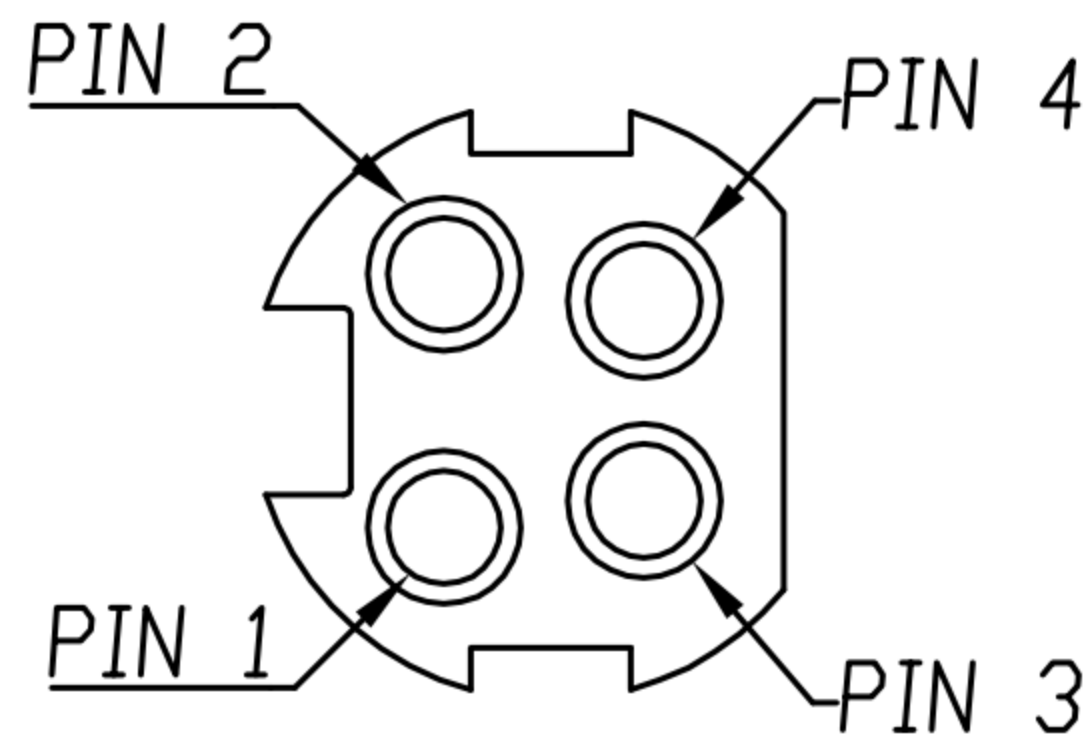
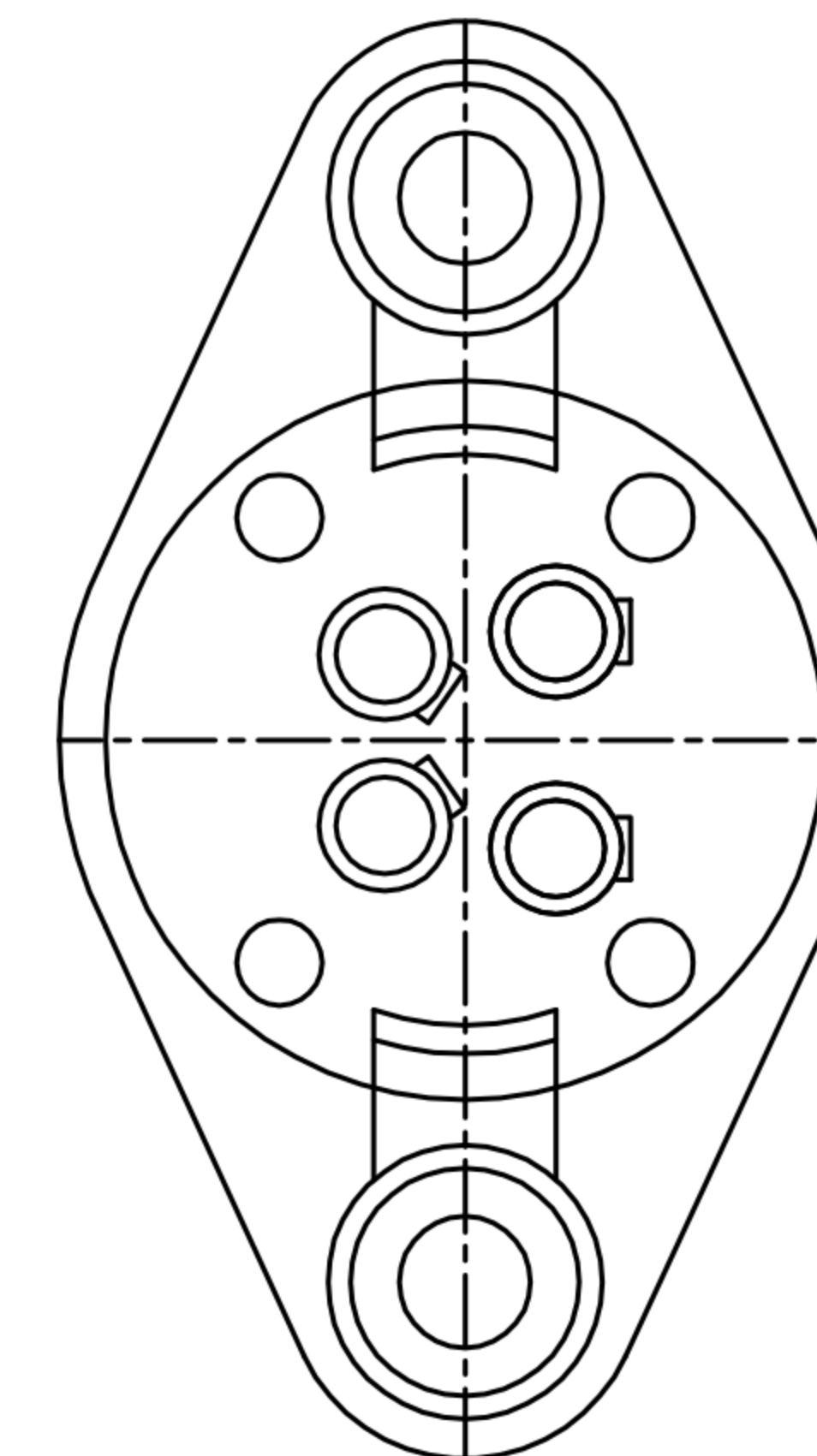
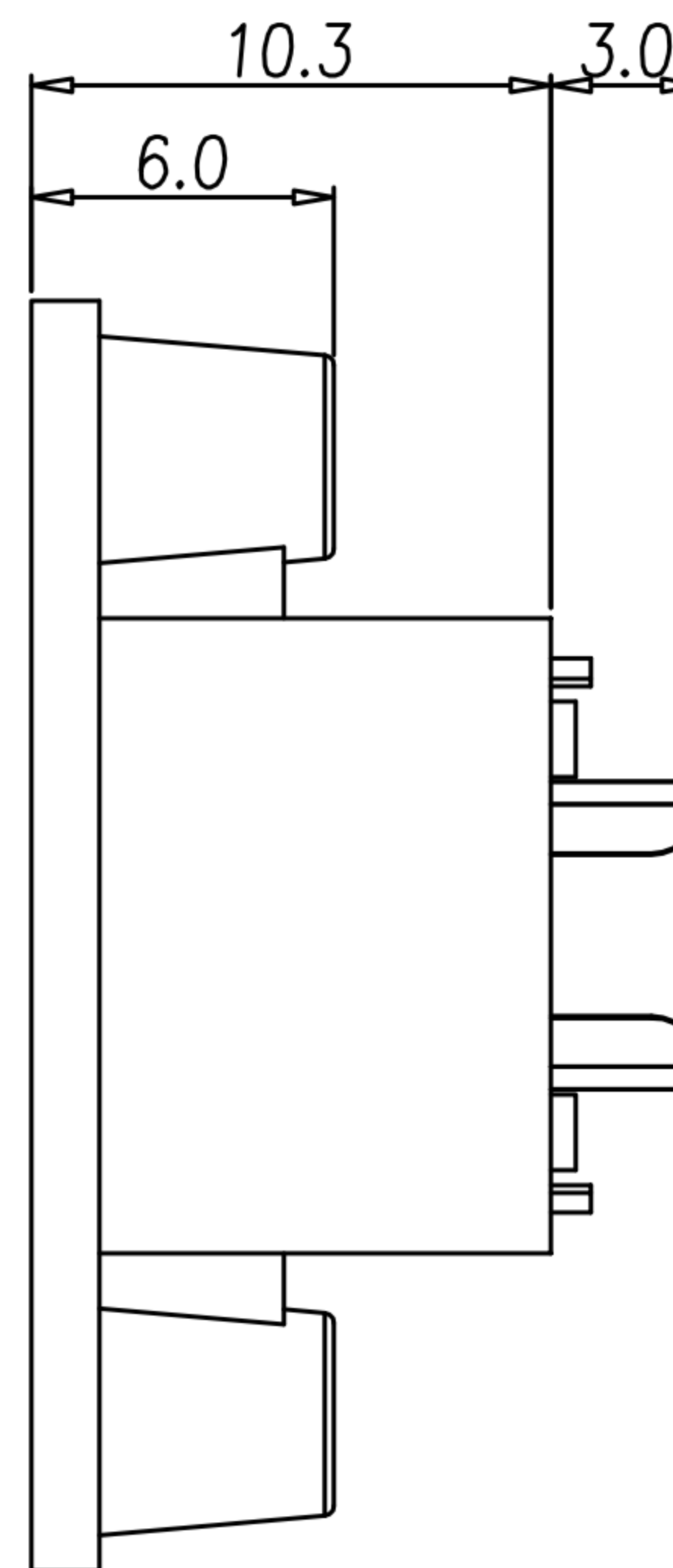
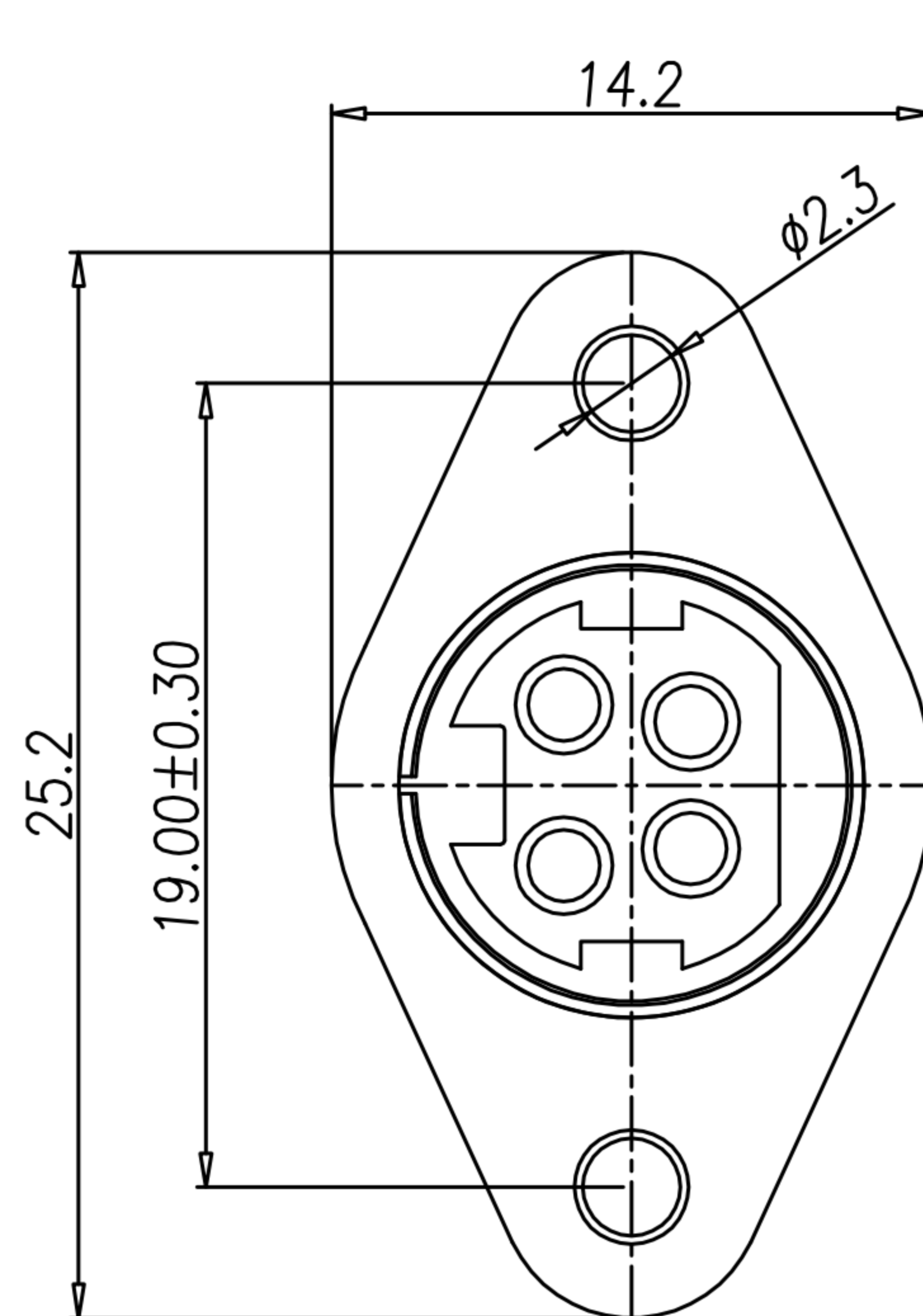


CUSTOMER DRAWING

REV.	DESCRIPTION	APPVL. BY	DATE	ECN NO.
△A	RELEASE	Fido Weng	13/04/09"	
△B	ADD PART No.	Yeh Chou	20/06/19"	
△C				

TABLE A


△ PD-03F2-09-11

PD-04F2-20-11



NOTE:

1.MATERIAL:

- 1-1. HOUSING : PBT UL94V-0 ; COLOR : BLACK
- 1-2. CONTACT : PHOSPHOR BRONZE
- 1-3. SHELL : BRASS

2.PLATING:

- 2-1. CONTACT : TIN PLATED.
- 2-2. SHELL : NICKEL PLATED.

3.ELETRICAL SPECICATION :

- 3-1. RATED CURRENT : 7.5A FOR PIN1 & 2 ; 1A FOR PIN3
- 3-2. RATED VOLTAGE : 20V DC

4. ENVIRONMENTAL :

- 4-1. OPERATION TEMPERATURE : -20℃~85℃

DRAW	Ku Chou	APPVL	Fido Weng	UNIT	mm	TOLERANCE		 广东科斯达电子科技有限公司 GUANG DONG KE SI DA ELECTRONIC TECHNOLOGY CO., LTD.	TITLE	POWER DIN (F) SOCKET (Rotate 180°) 全線型			SHEET
CHECK	Emily Suen			SCALE	1:1	.x ±0.25 .xx ±0.15 .xxx ±0.10 .xxxx ±0.05 ANGULA ±1°			PART NO.	SEE TABLE A	DWG NO.	QC7650	VERSION B