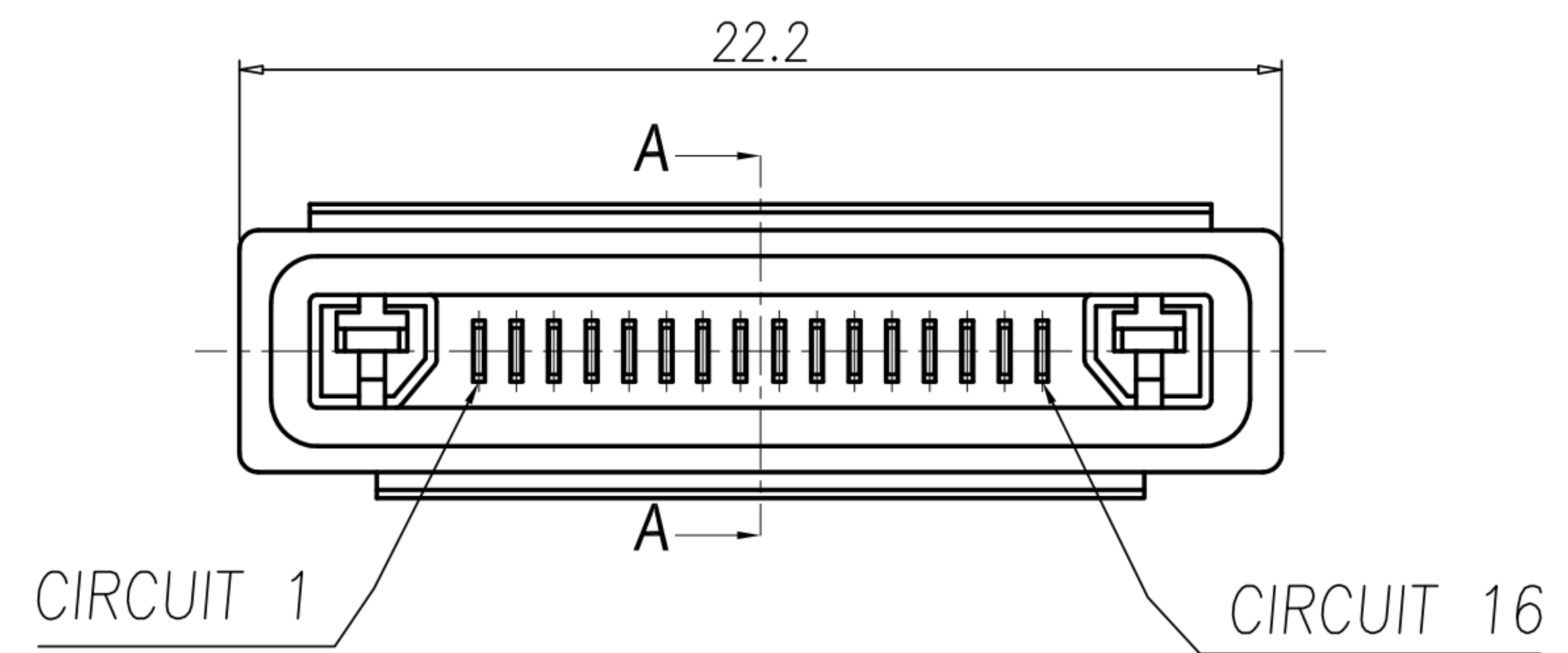
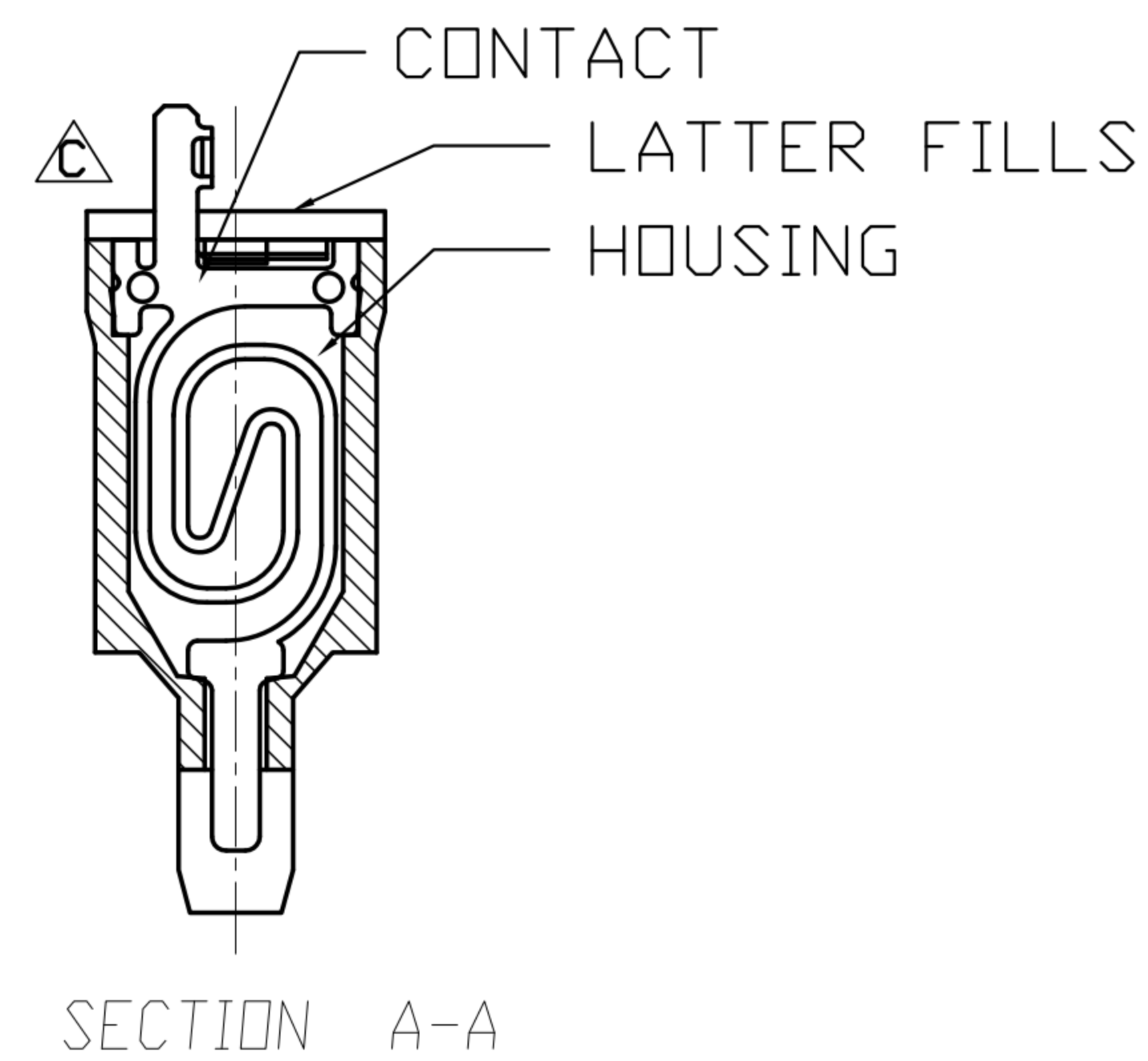
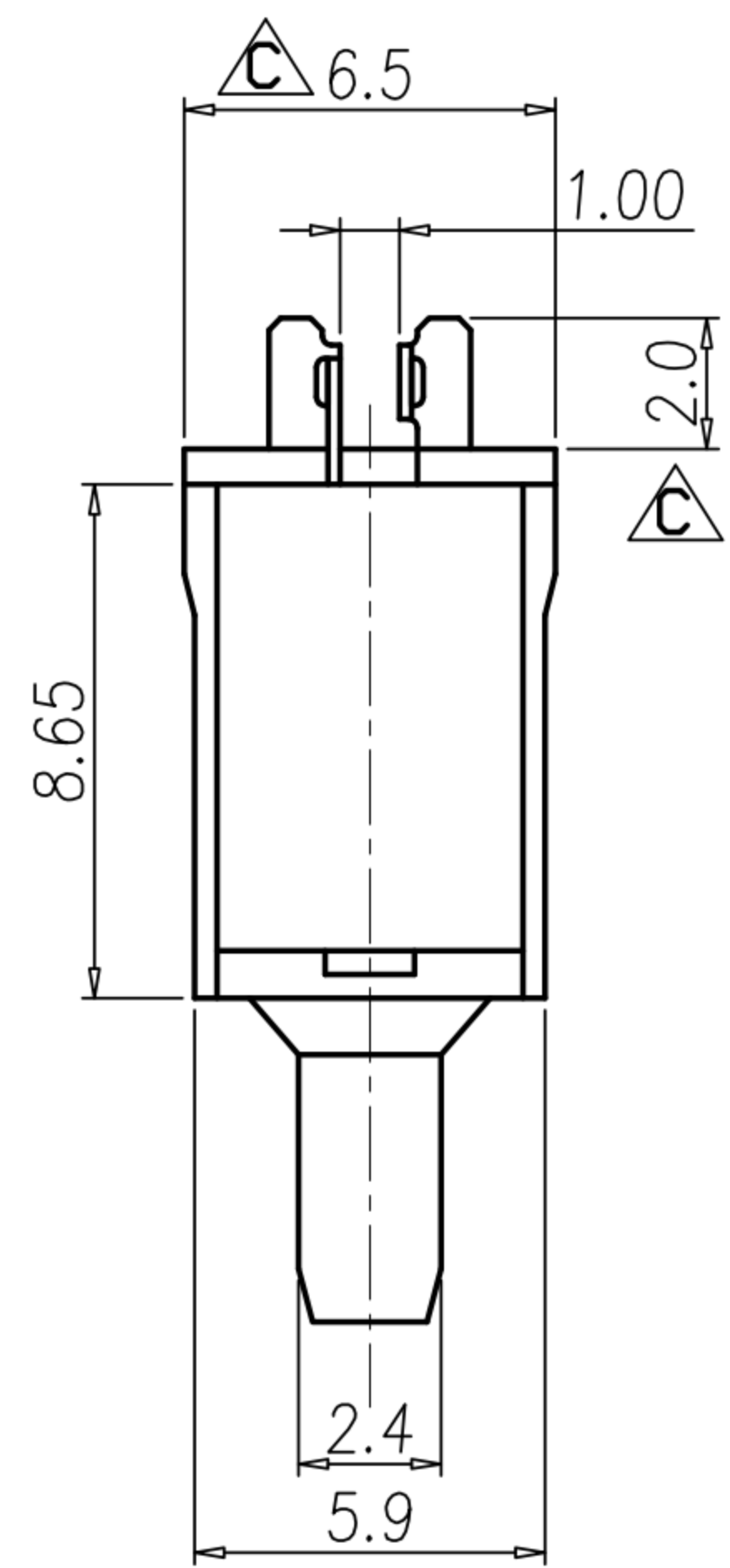
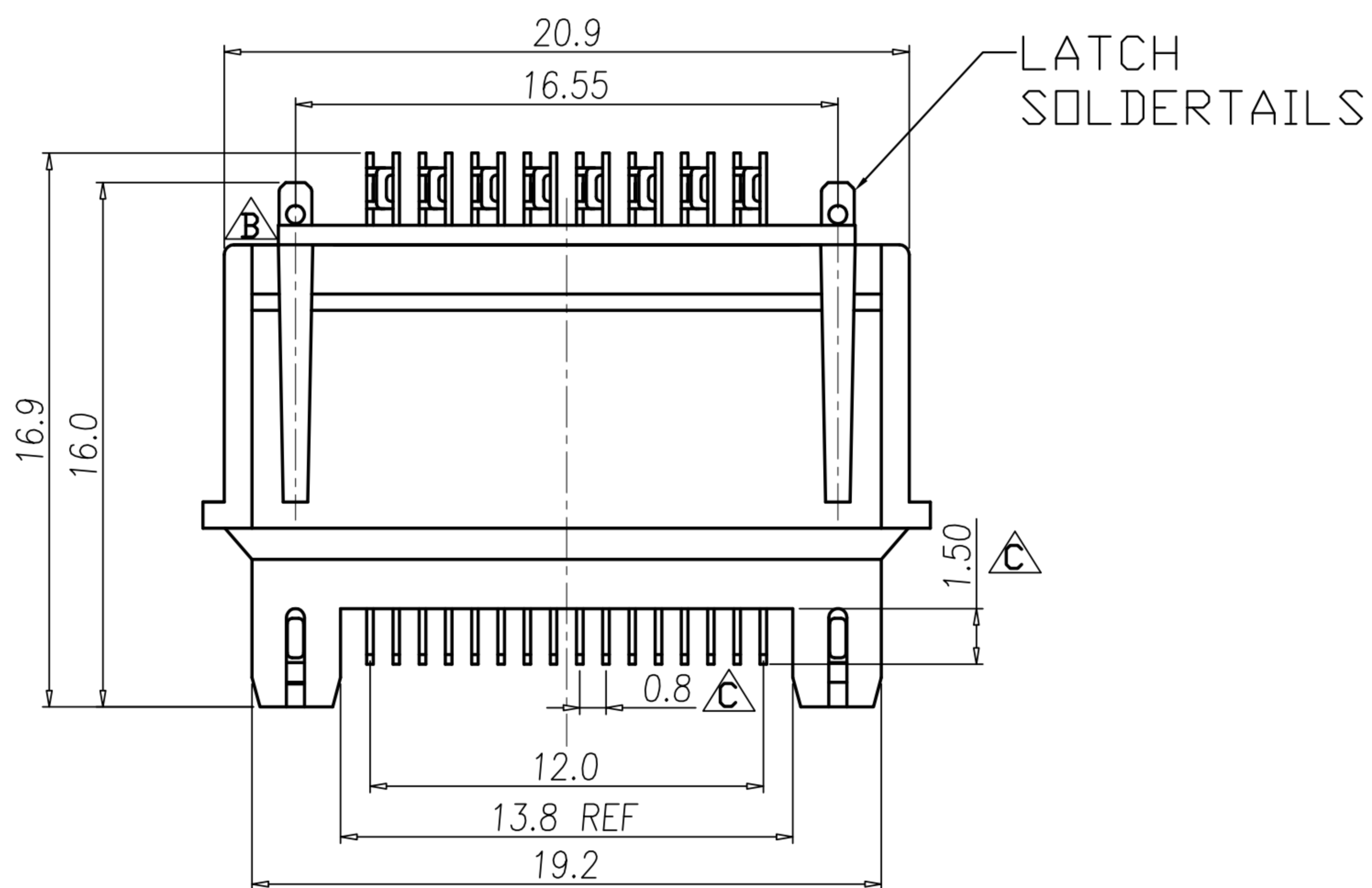


CUSTOMER DRAWING

REV.	DESCRIPTION	APPROVED BY	DATE	ECN NO.
A	RELEASE	Fido Weng	13/07/09'	
B	CHANGE DESIGN	Fido Weng	21/07/09'	ECN10096
C	變更端子 & 修正尺寸	Fido Weng	01/11/13'	ECN13020



- MATERIAL :
 - 1-1. HOUSING : NYLON 46 UL94V-0 ; COLOR : BLACK
 - 1-2. CONTACT : BERYLLIUM COPPER
 - 1-3. LATCH FILLS : PBT UL94-V0 ; COLOR : BLACK.
 - 1-4. LATCH SOLDERTAILS : STAINLESS STEEL.
- FINISH :
 - 2-1. CONTACT : CONTACT AREA : 5 MICRO INCHES MIN. GOLD PLATED
SOLDER AREA : BRIGHT TIN
UNDER PLATE : NICKEL
 - 2-2. LATCH SOLDERTAILS : BRIGHT TIN
UNDER PLATE : NICKEL
- ELECTRICAL SPECIFICATION :
 - 3-1. Rated current : 1.5A
 - 3-2. Rated Voltage : 30V
- Environmental :
 - 4-1. Operation Temperature : -40℃~80℃

DRAWN	Ku Chou	APP'D	Emily Suen	UNIT	mm	TOLERANCE		广东科斯达电子科技有限公司 GUANG DONG KE SI DA ELECTRONIC TECHNOLOGY CO., LTD.	TITLE	HANDY LINK 16PIN(M) 0.8PITCH(+接塞)			SHEET	1 VERSION C
CHK'D	Emily Suen			SCALE	1:1	.x ±0.10 .xx ±0.05 .xxx ±0.03 .xxx ±0.01 ANGULA ±1°			PART NO.	PC-16M2-03	DWG NO.	QC4543		