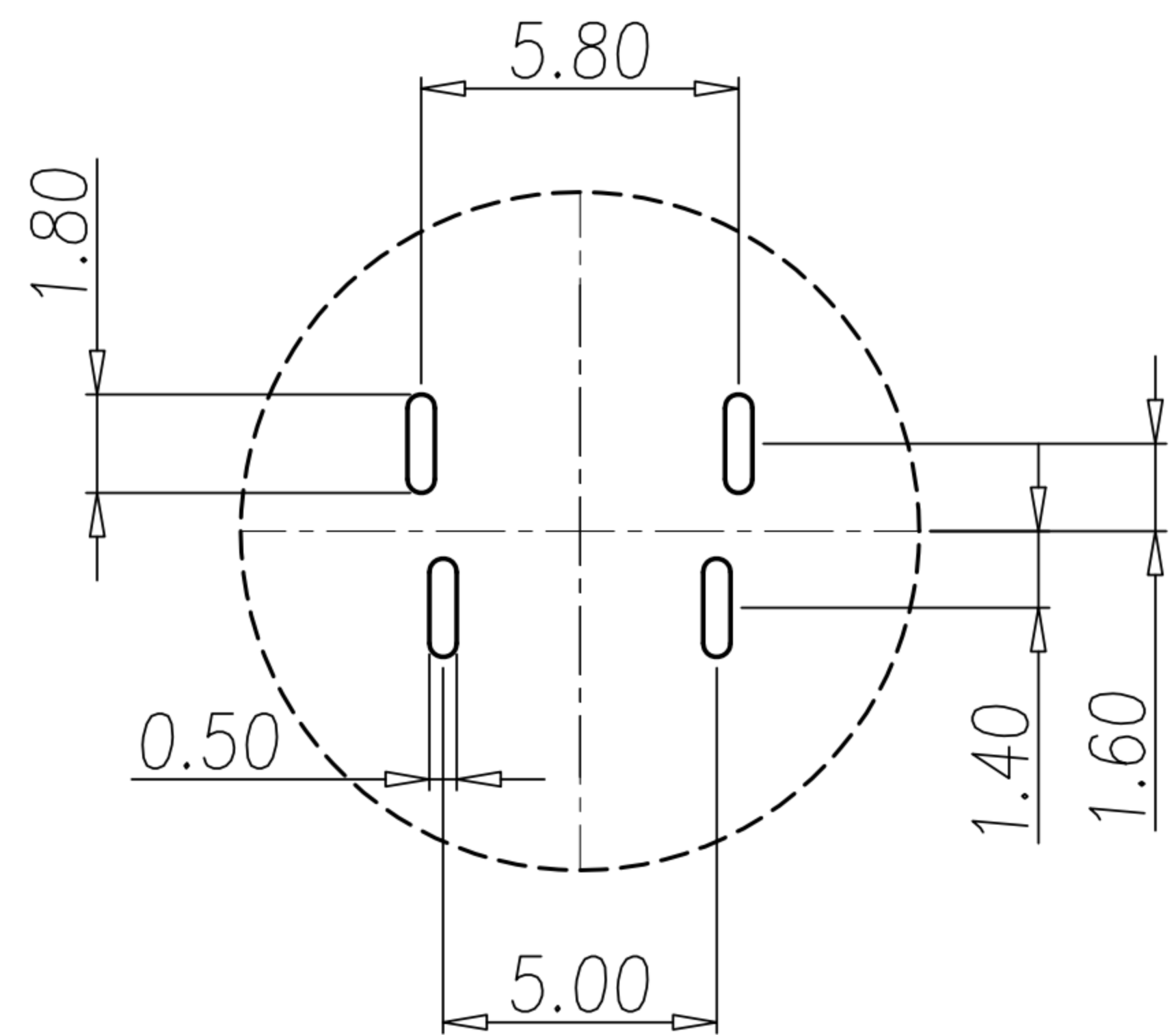
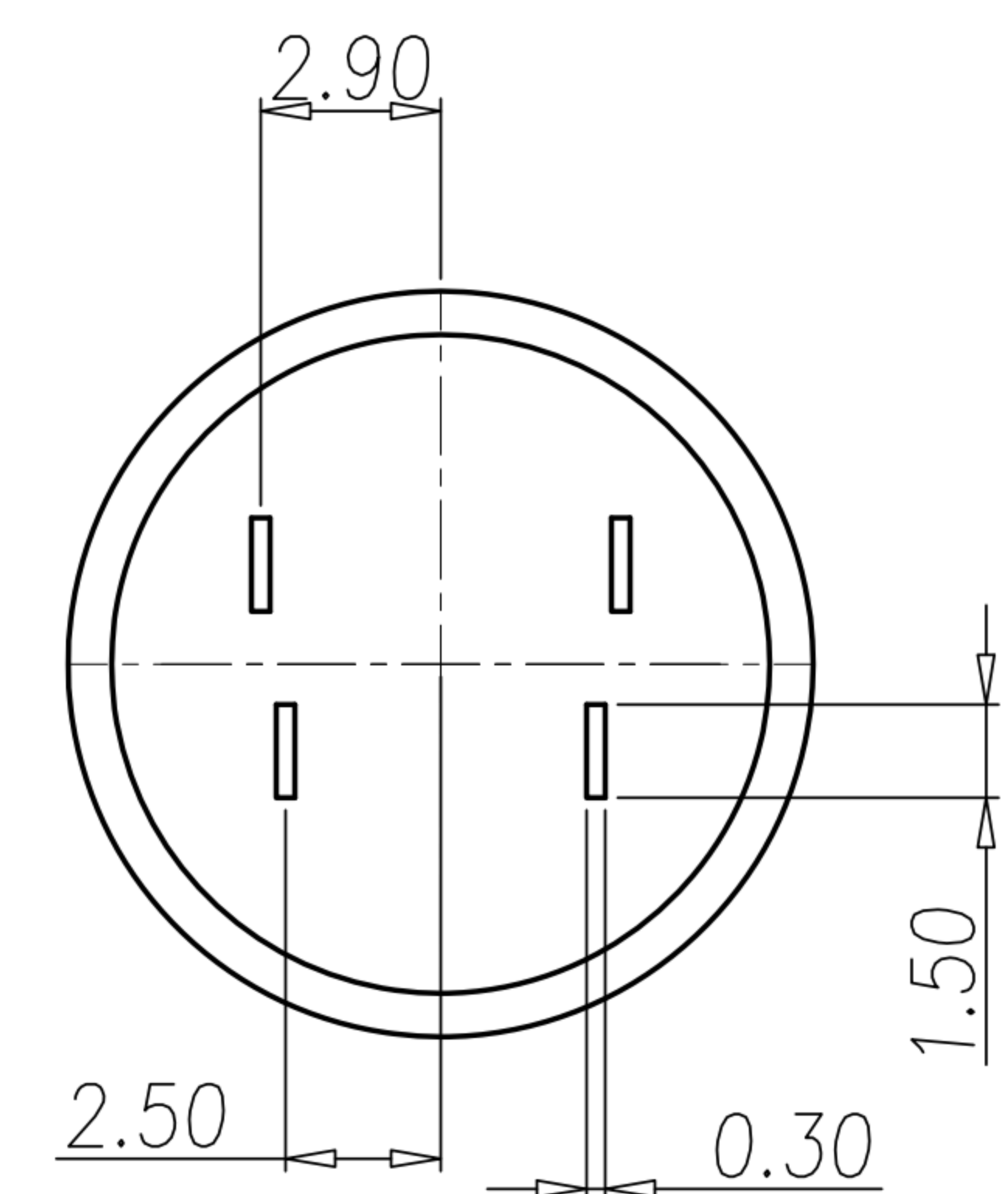
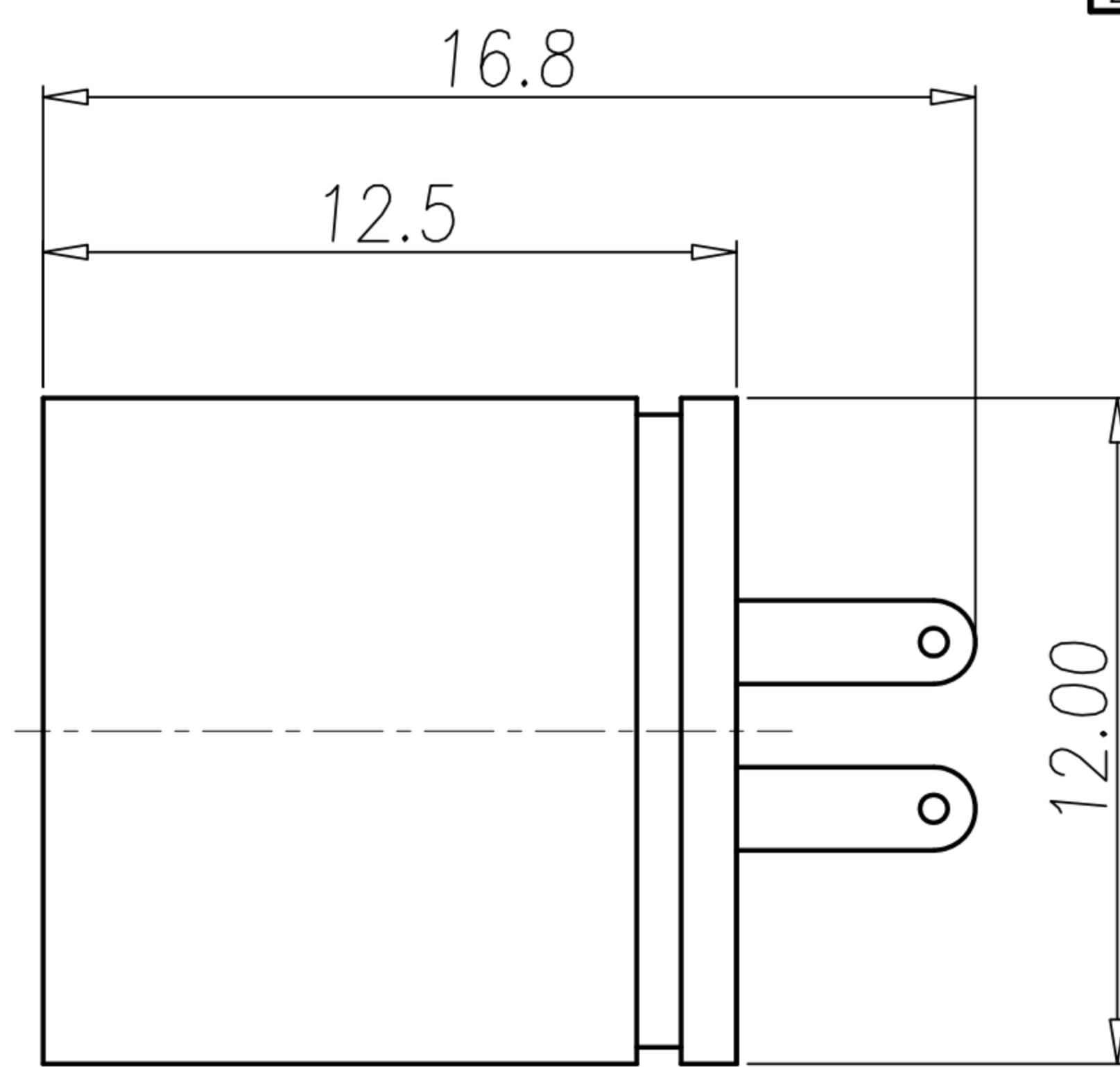
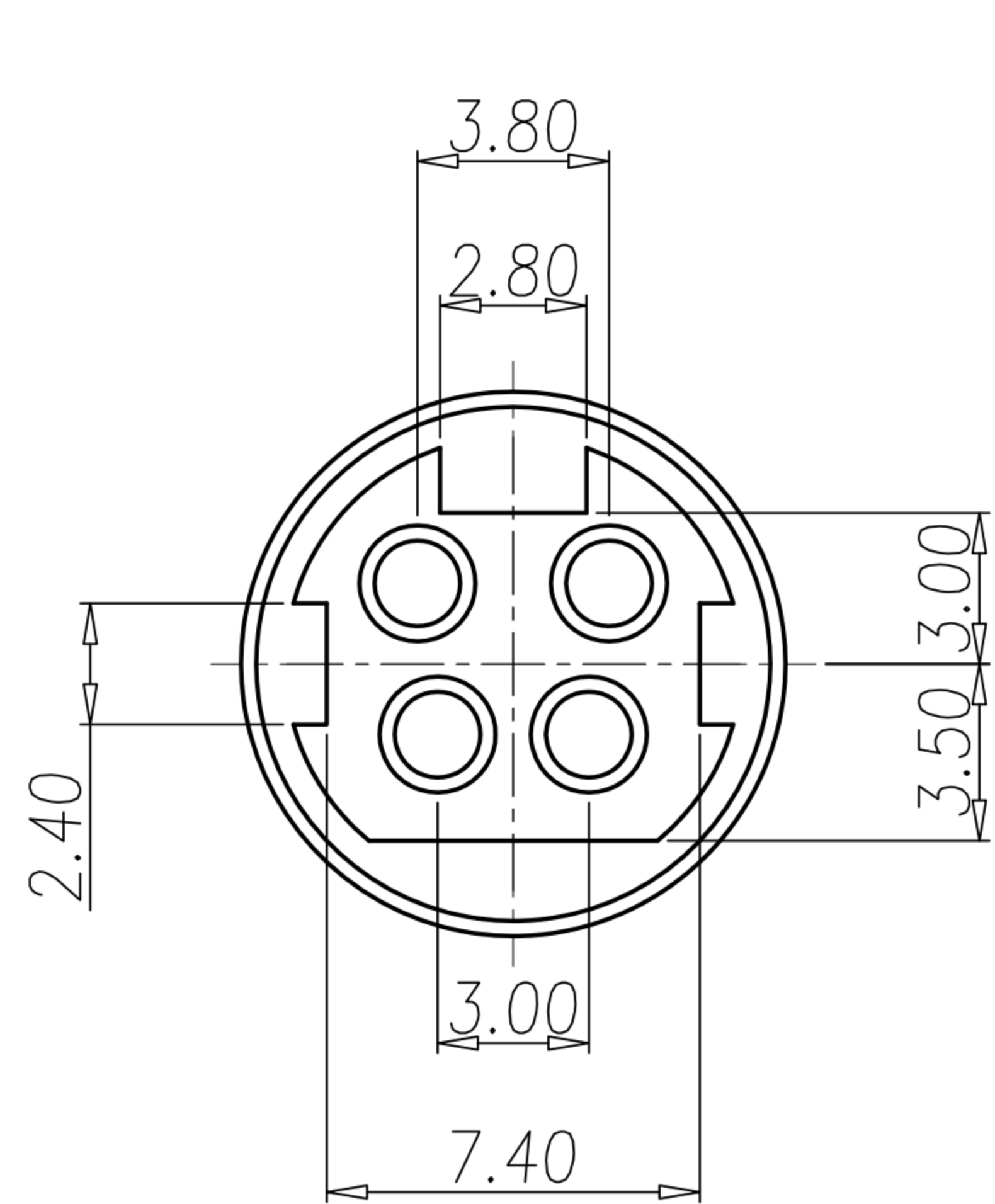


# CUSTOMER DRAWING

REV.	DESCRIPTION	APPVL. BY	DATE	ECN NO.
A	RELEASE	Fido Weng	06/02/09*	
B				
C				



Recommend P.C.B Layout.

- NOTE:**
- 1.MATERIAL:
    - 1-1. HOUSING : PBT UL94V-0 ; COLOR : BLACK
    - 1-2. CONTACT : COPPER ALLOY
    - 1-3. SHELL : COPPER ALLOY
  - 2.PLATING:
    - 2-1.CONTACT : TIN PLATED 60u" OVER NICKEL
    - 2-2. SHELL : NICKEL PLATED 60u" ~ 100u" OVER ALL
  - 3.ELETRICAL SPECICATION :
    - 3-1. RATED CURRENT : 7.5A/DC MAX
    - 3-2. RATED VOLTAGE : 25V/DC MAX
  4. ENVIRONMENTAL :
    - 4-1. OPERATION TEMPERATURE : -20 ℃~85℃

DRAW	Jen Xie	APPVL	Fido Weng	UNIT	mm	TOLERANCE		广东科斯达电子科技有限公司 GUANG DONG KE SI DA ELECTRONIC TECHNOLOGY CO., LTD.	TITLE	POWER DIN 4PIN (F) LOCK			SHEET	VERSION A
CHECK	Emily Suen			SCALE	1:1	.x ±0.20 .xx ±0.15 .xxx ±0.10 .xxxx ±0.05 ANGULA ±1°			PART NO.	PD-04F1-02	DWG NO.	QC1876		