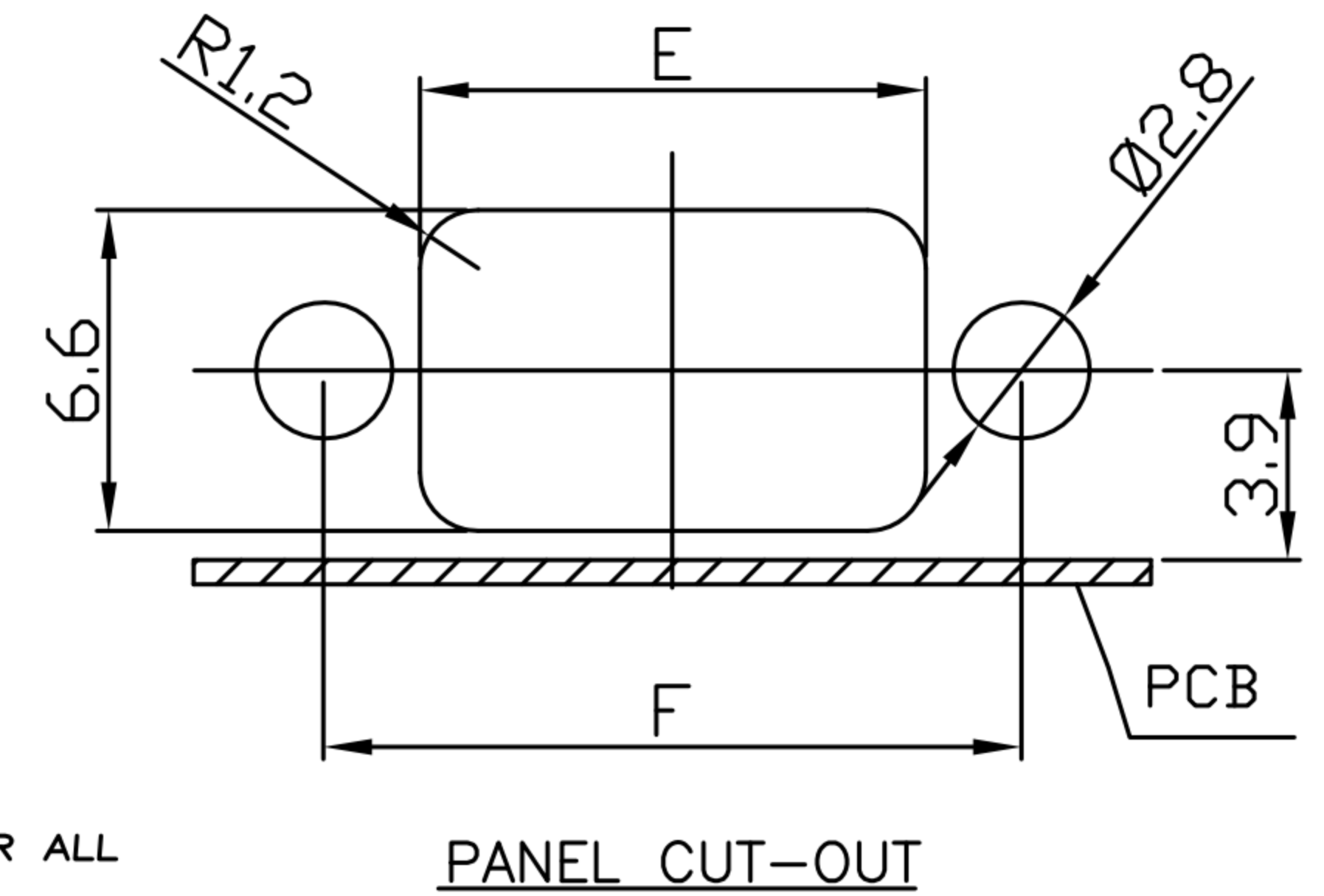
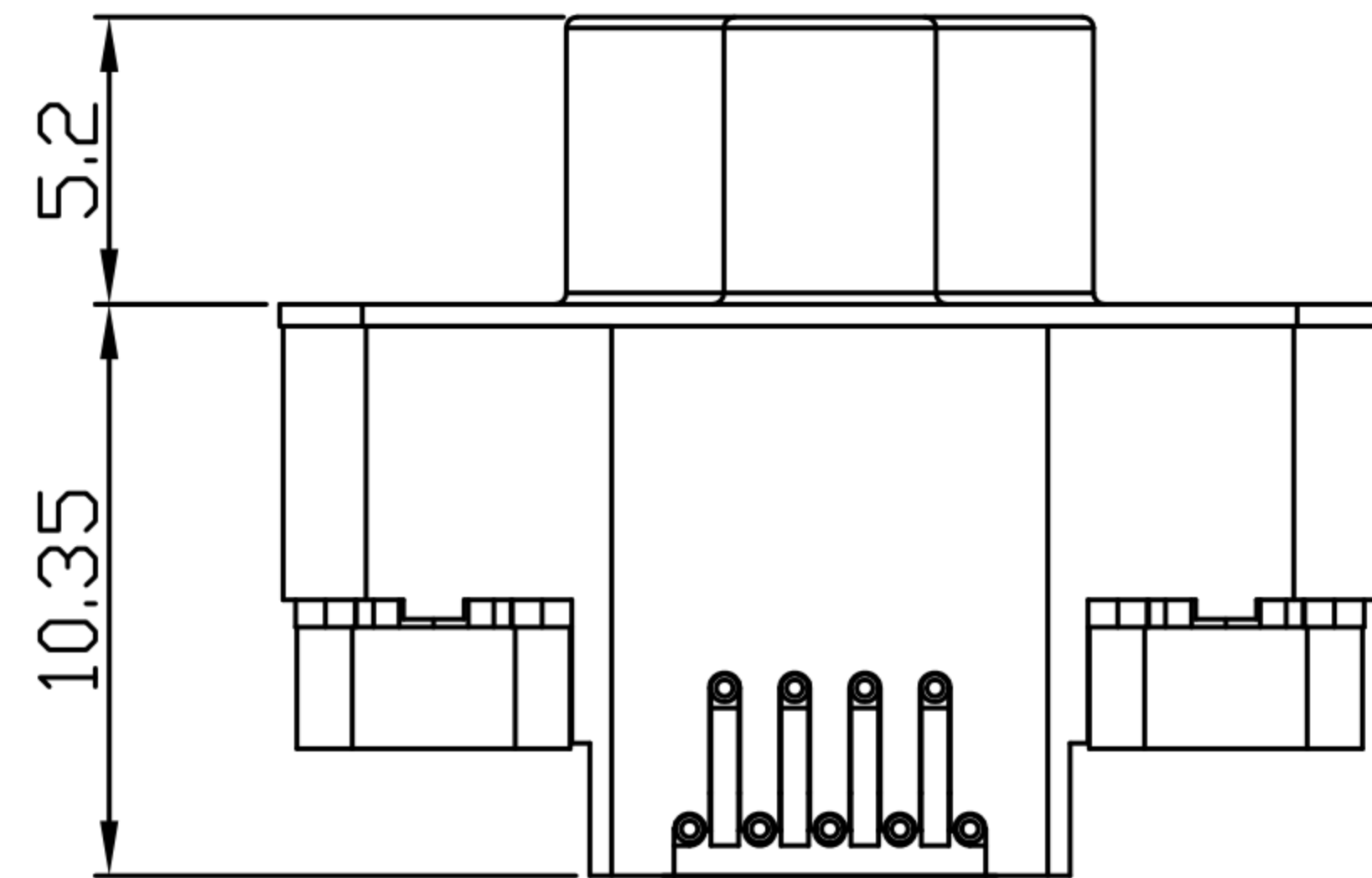
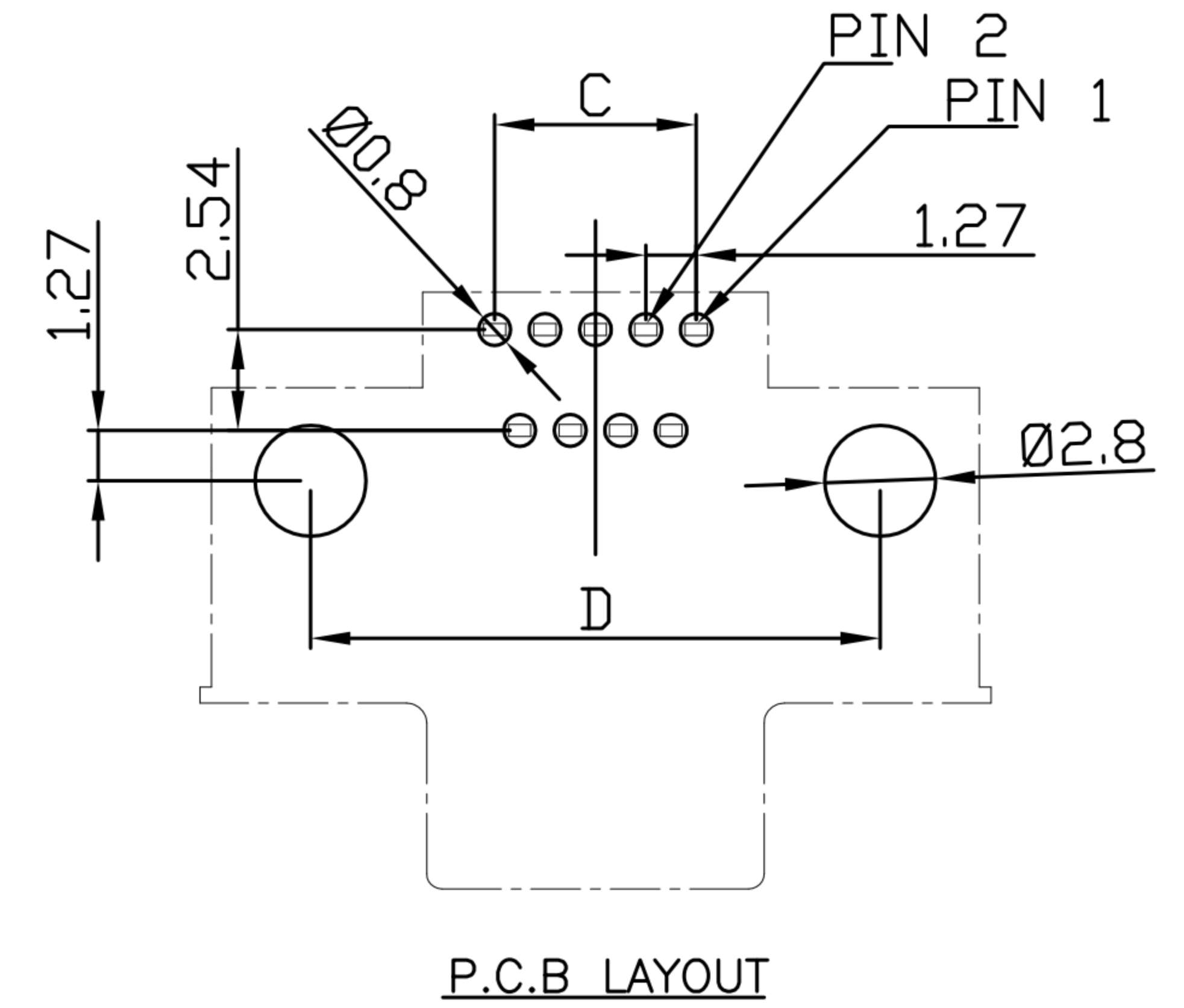
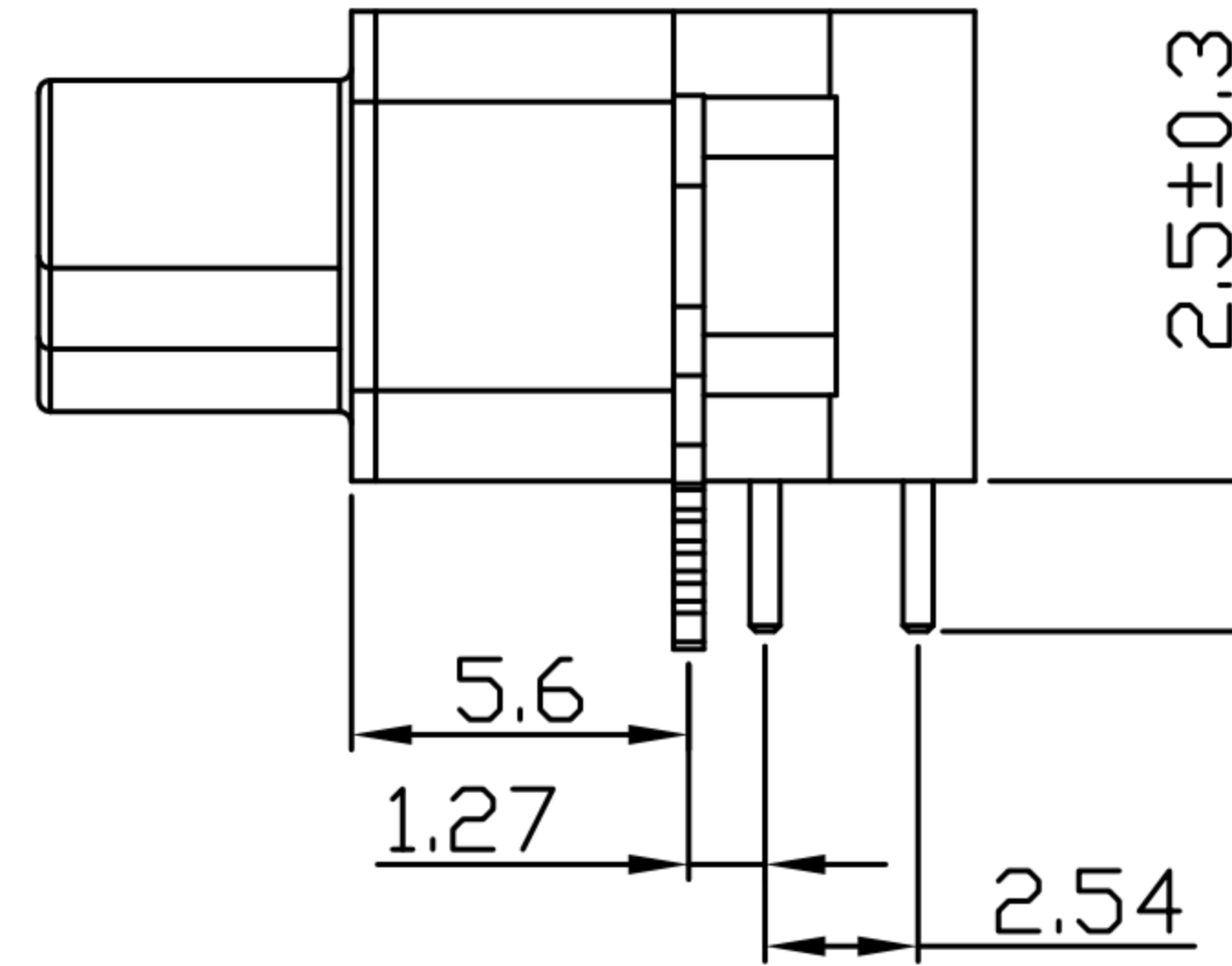
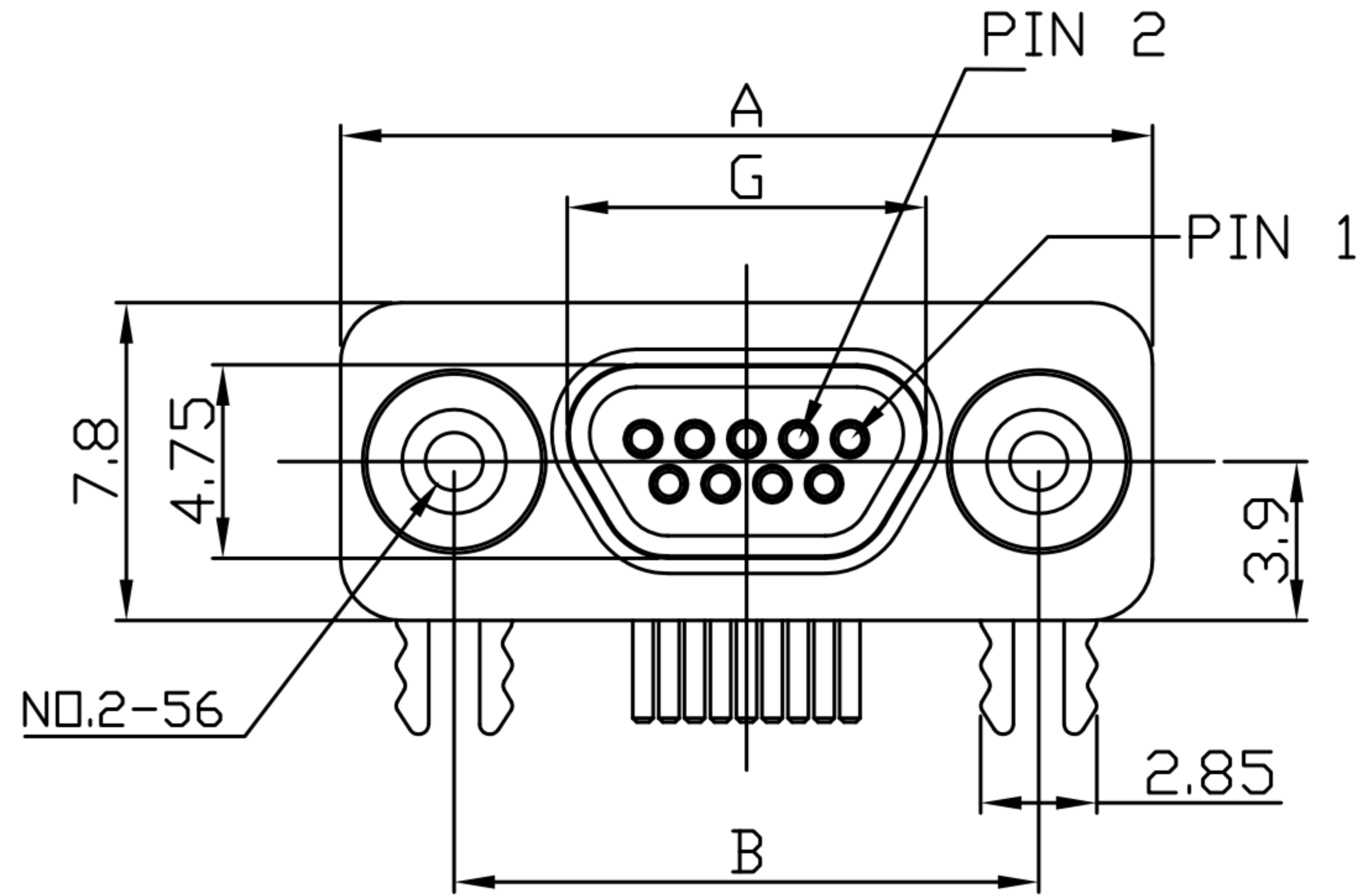


CUSTOMER DRAWING

REV.	DESCRIPTION	APPROVED BY	DATE	ECN NO.
A	RELEASE	YehChou	2021/11/26	
B				
C				

P/N	NUMBER OF PINS	A	B	C	D	E	F	G
DB-09M3-07-11	9	19.93	14.35	5.08	14.35	10.41	14.35	8.80
DB-15M3-05-11	15	23.75	18.16	8.89	18.16	14.22	18.16	12.60
DB-25M3-04-11	25	30.10	24.51	15.23	24.51	20.57	24.51	18.95



- MATERIAL :
 - HOUSING : LCP UL94V-0 ; COLOR : BLACK
 - CONTACT : BRASS
 - FRONT SHELL : SPCC
 - SHELL : BRASS
 - GROUND : BRASS
- FINISH :
 - CONTACT : GOLD 15u" ON CONTACT AERA
MATTE TIN 60u" ON SOLDER AERA
 - FRONT SHELL : NICKEL PLATED 60u" ~ 100u" OVER ALL
 - SHELL : NICKEL PLATED 60u" ~ 100u" OVER ALL
 - GROUND : NICKEL PLATED 60u" ~ 100u" OVER ALL
- ELECTRICAL SPECIFICATION :
 - Rated current : 1A
 - Voltage : 30V AC
- Environmental :
 - Operation Temperature : -40℃~+125℃

DRAWN	Yeh Chou	APP'D	Ku Chou	UNIT	mm	TOLERANCE		广东科斯达电子科技有限公司 GUANG DONG KE SI DA ELECTRONIC TECHNOLOGY CO., LTD.	TITLE	MICRO D-SUB 9PIN(M) 板上90度(端子金15u")			SHEET	1
CHK'D	Emily Suen			SCALE	1:1	.x ±0.20 .xx ±0.15 .xxx ±0.10 .xxxx ±0.05 ANGULA ±1°			PART NO.	SEE TABLE A	DWG NO.	QC10305	VERSION	A