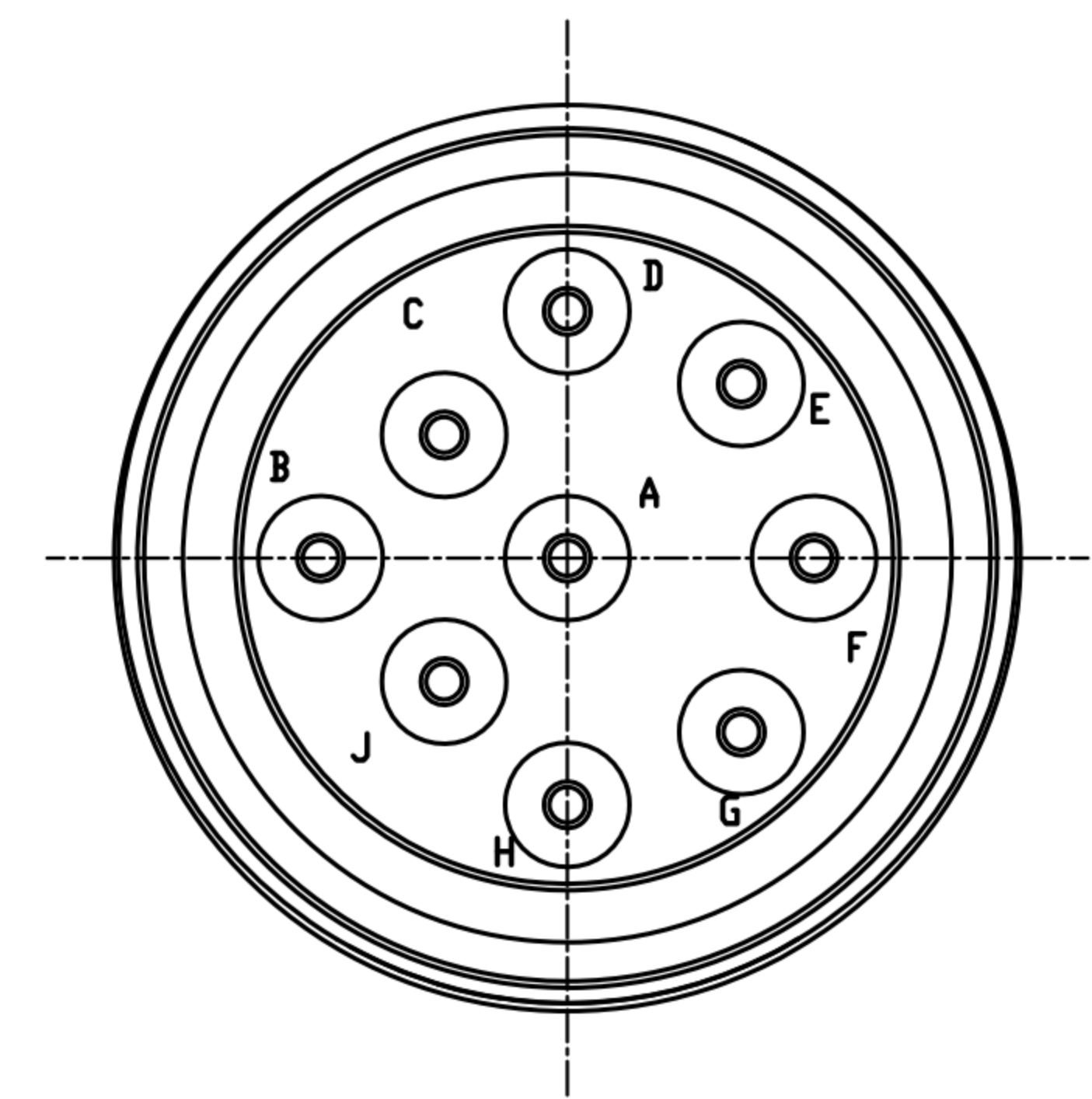
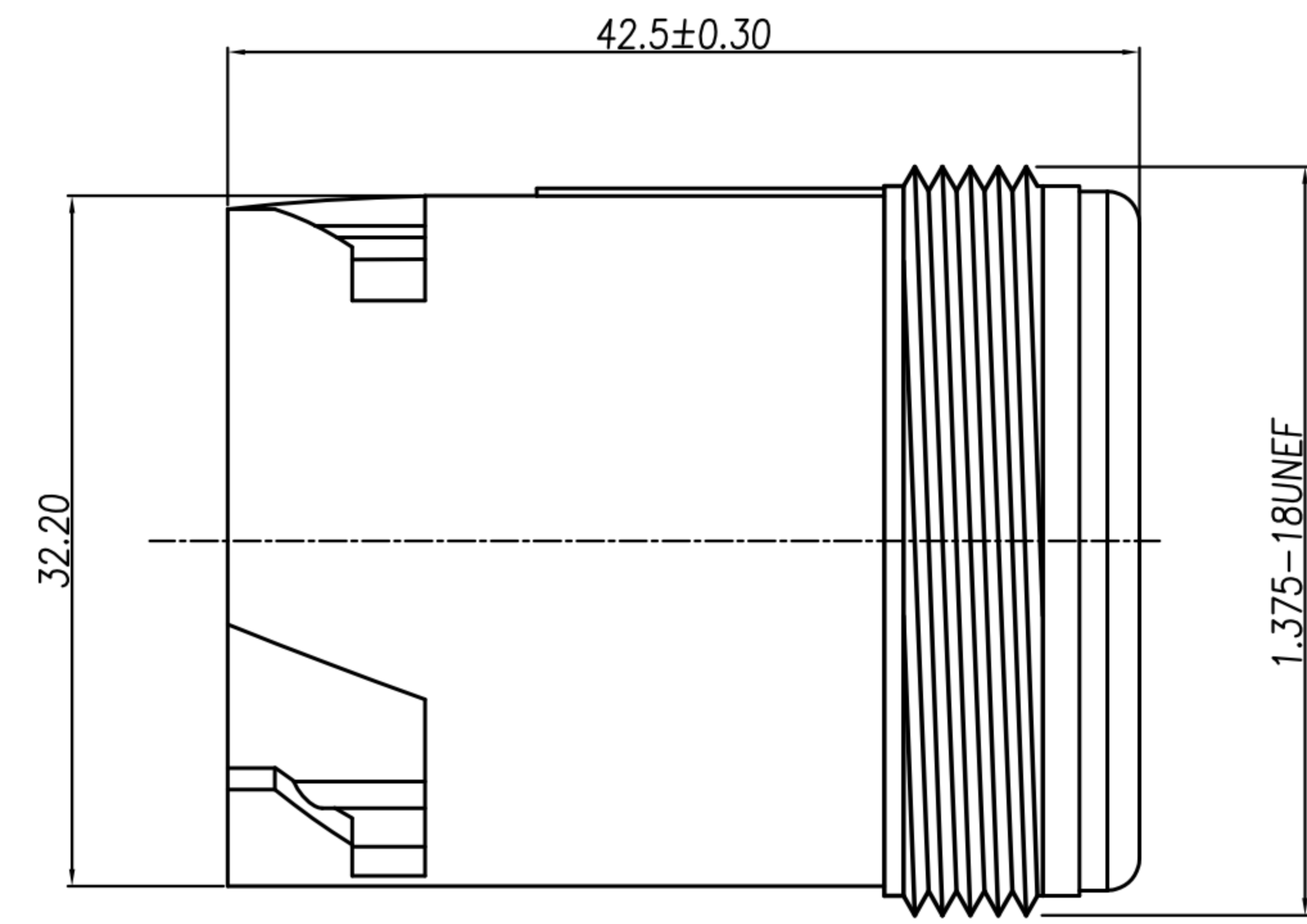
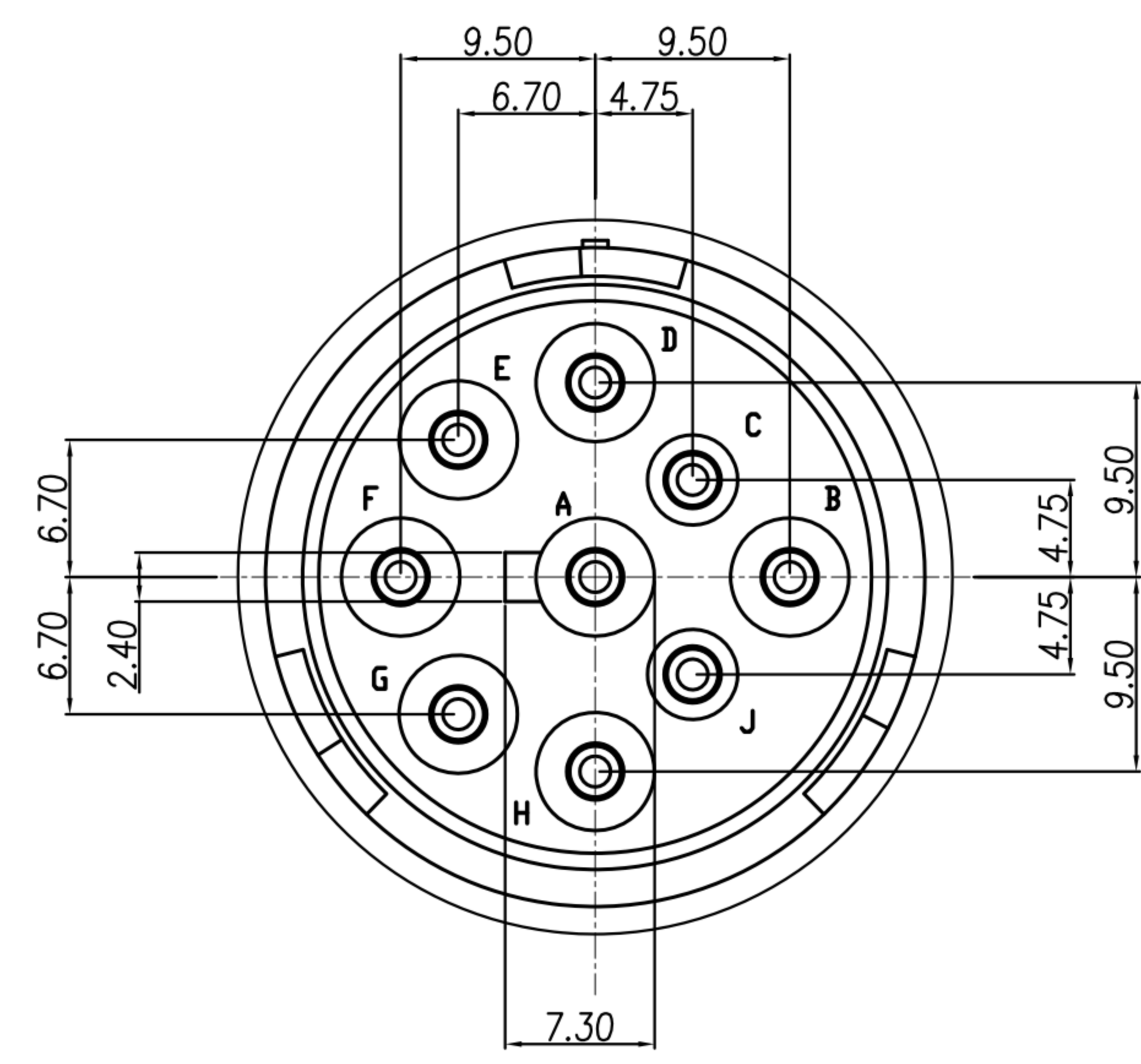


# CUSTOMER DRAWING

REV.	DESCRIPTION	APPROVED BY	DATE	ECN NO.
A	RELEASE	Yeh Chou	2017/12/29	
B				
C				
D				

1. MATERIAL :
  - 1-1. INSULATOR : PA66 ; COLOR : BLACK
  - 1-2. HOUSING : PA66 ; COLOR : BLACK
  - 1-3. REAR COVER : PA66 ; COLOR : BLACK
  - 1-4. RUBBER : SILICONE ; COLOR : ORANGE
2. ELECTRICAL SPECIFICATION :
  - 2-1. Rated current : 13A
  - 2-2. Rated Voltage : 500V
  - 2-3. Water proof : IP67
3. Environmental :
  - 3-1. Operation Temperature : -40°~105°



DRAWN	Yeh Chou	APP'D	Ku Chou	UNIT	mm	TOLERANCE		广东科斯达电子科技有限公司 GUANG DONG KE SI DA ELECTRONIC TECHNOLOGY CO., LTD.	TITLE	防水9PIN(F)(1.375-18UNEF) 测试			SHEET	1 VERSION A
CHK'D	Yeh Chou			SCALE	1:1	.x ±0.20 .xx ±0.10 .xxx ±0.05 .xxxx ±0.03 ANGULA ±1°			PART NO.	WP-09F2-22-01	DWG NO.	QC8161		