

CUSTOMER DRAWING

REV.	DESCRIPTION	APPROVED BY	DATE	ECN NO.
A	RELEASE	Fido Weng	22/12/08'	
B	MODIFY DIM	Fido Weng	20/01/11'	ECN11010
C				

步驟一:

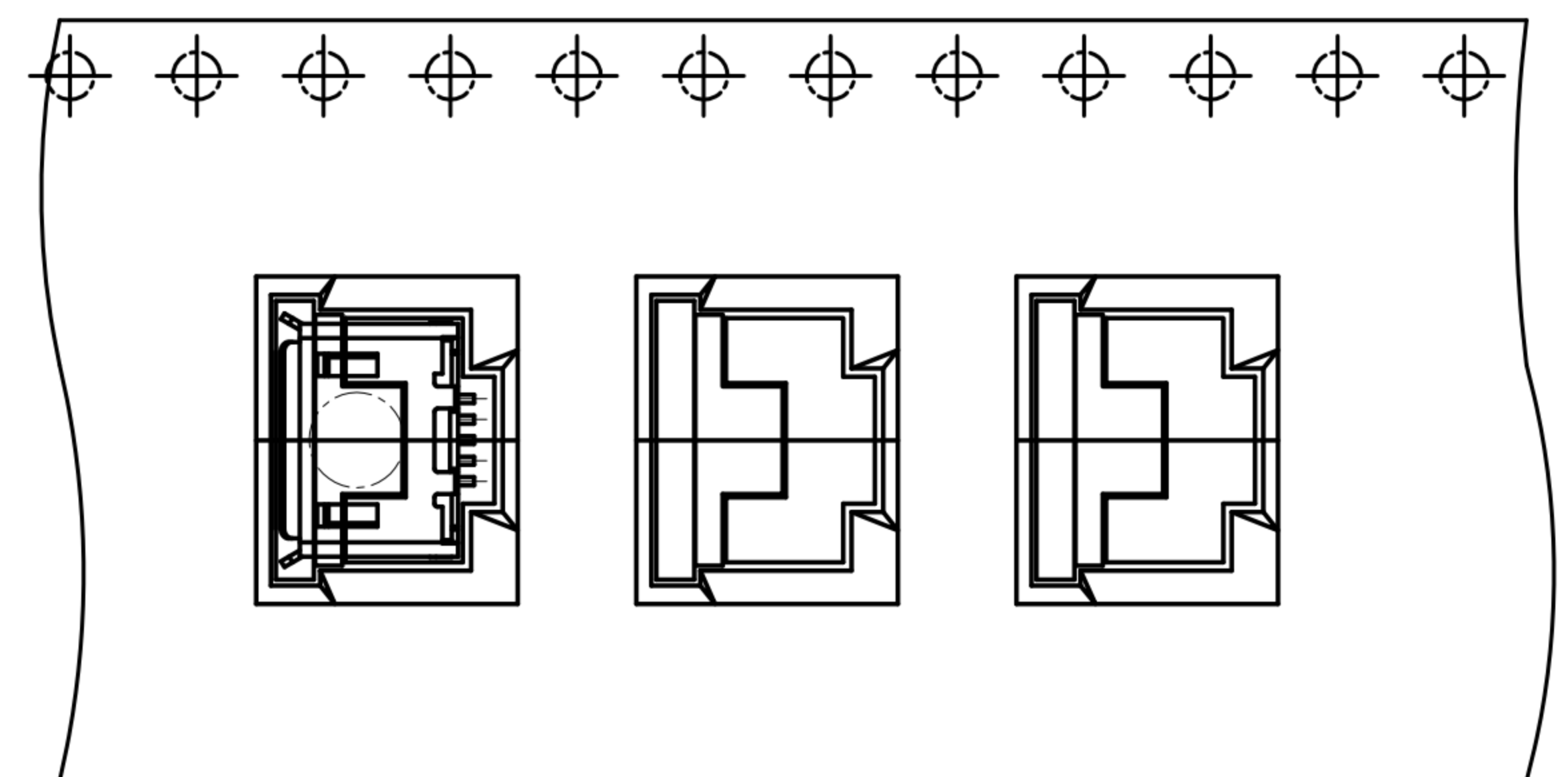
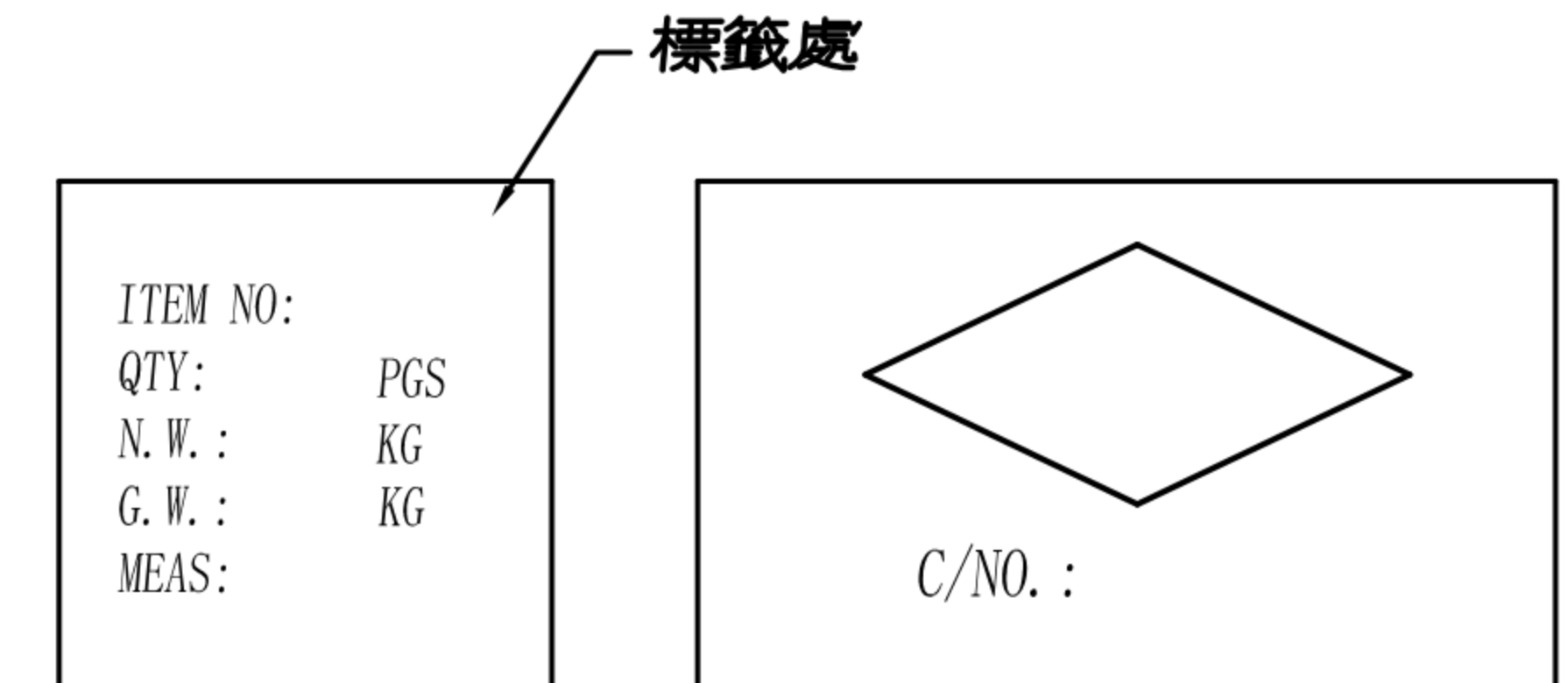
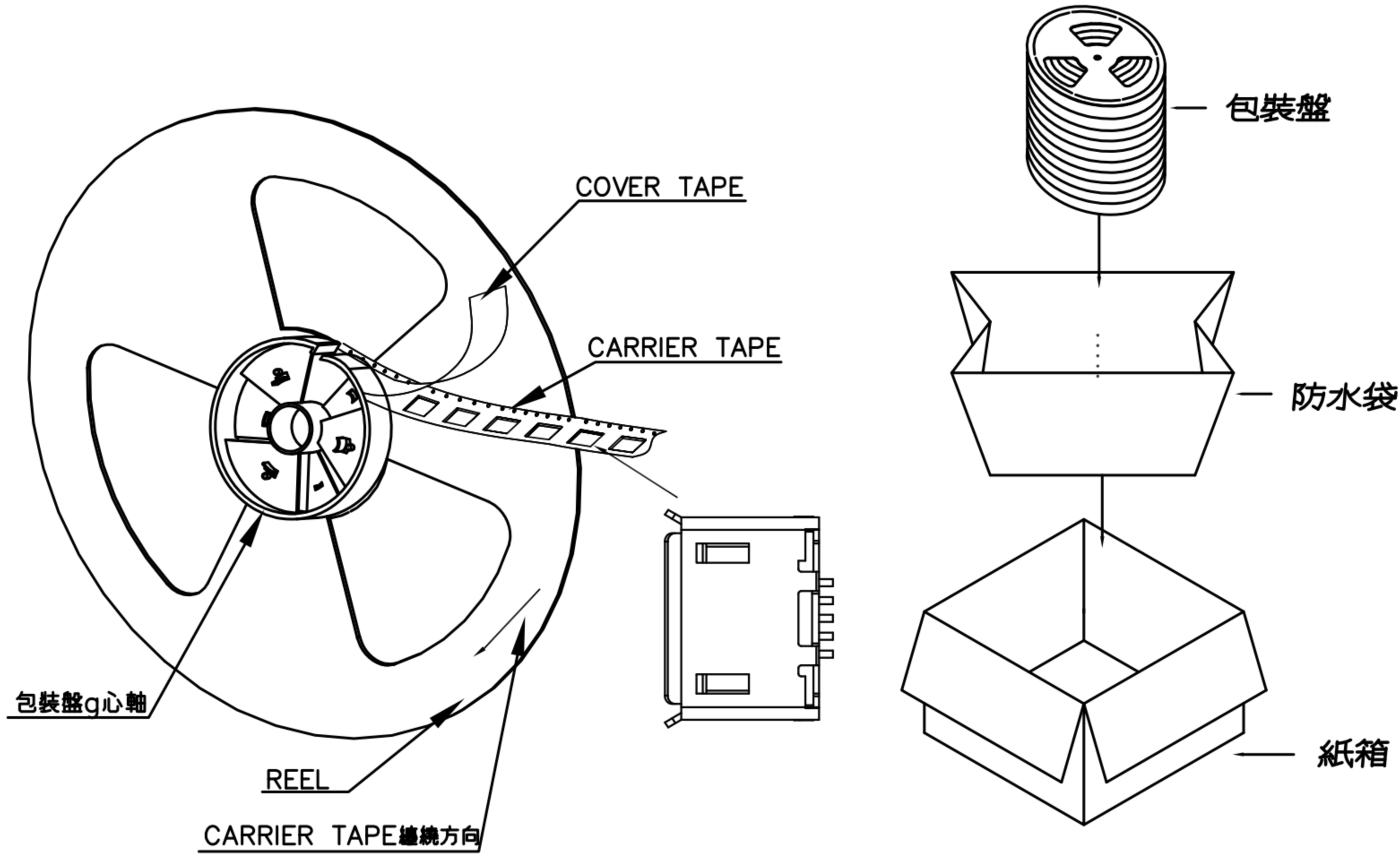
1. 將成品一一放入包裝盤內,依同一方向置入.
2. 包裝方式,如圖所示.
3. 一個包裝盤內1300pcs.

步驟二:

1. 一個紙箱可以裝10個包裝盤.
2. 每盤1300pcs,每箱13000pcs.
3. 將包裝盤放入防水袋中,包裝完後再封箱.

步驟三:

1. 用膠帶將紙箱封實.
2. 將標籤貼於紙箱上.



NOTE:

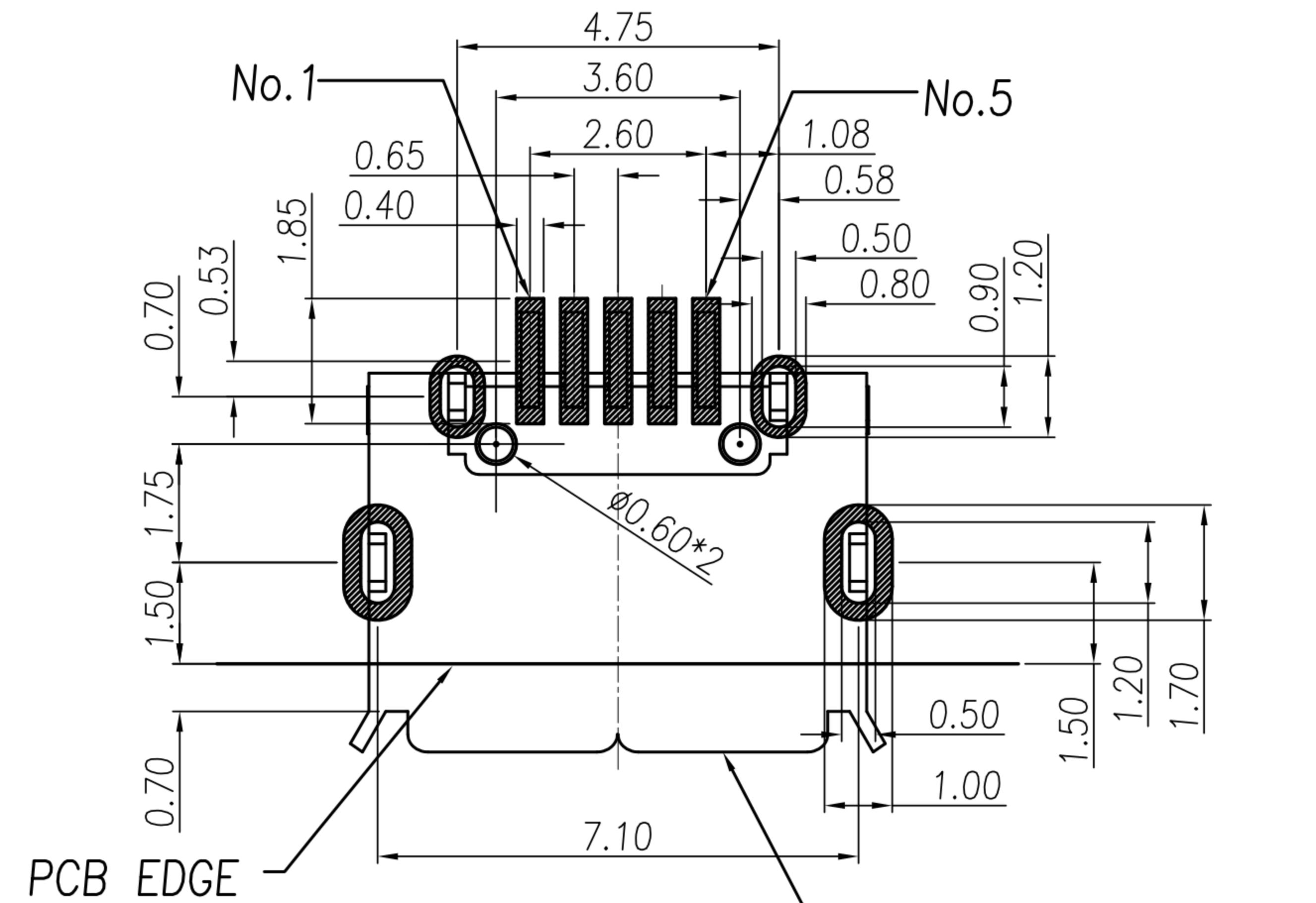
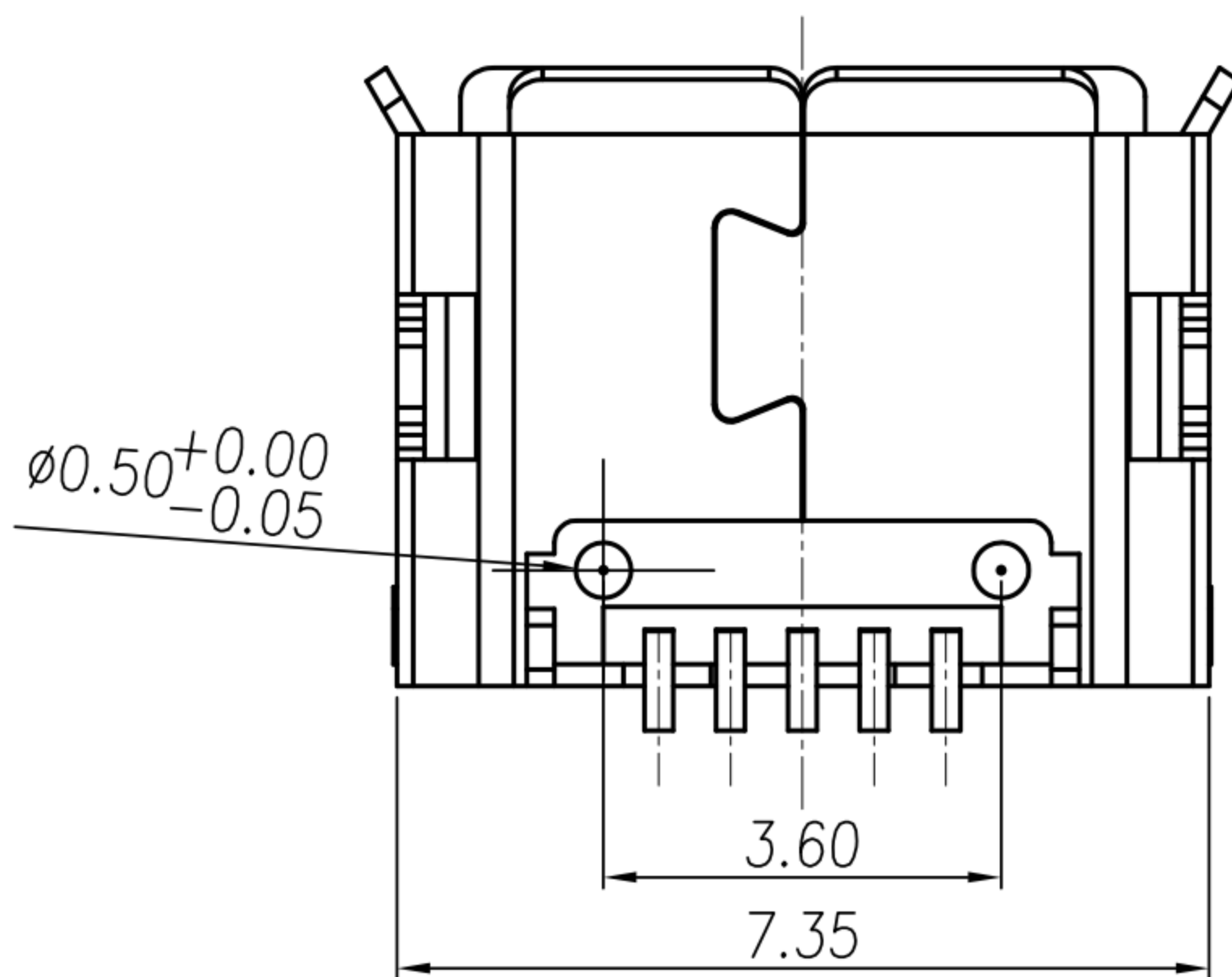
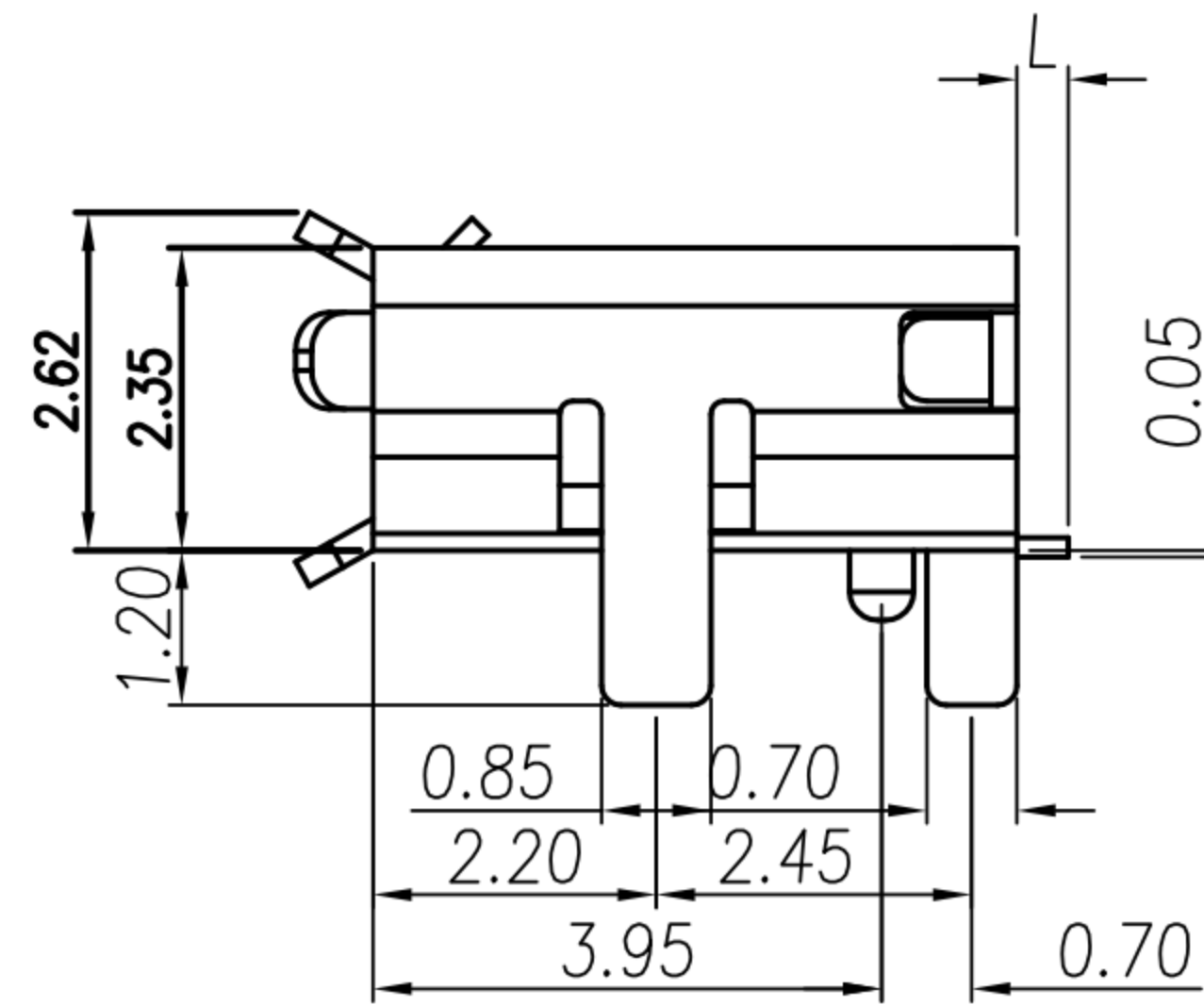
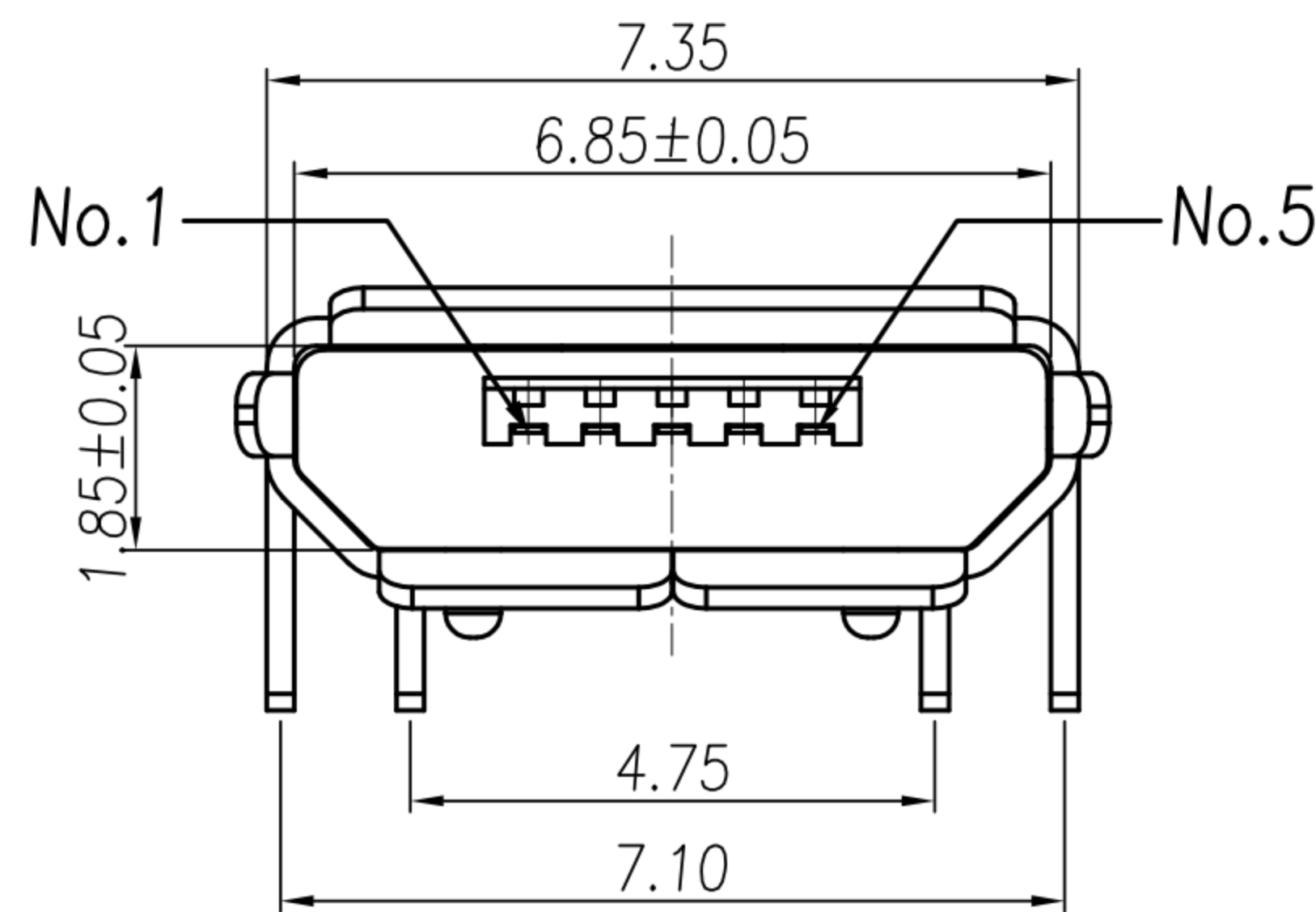
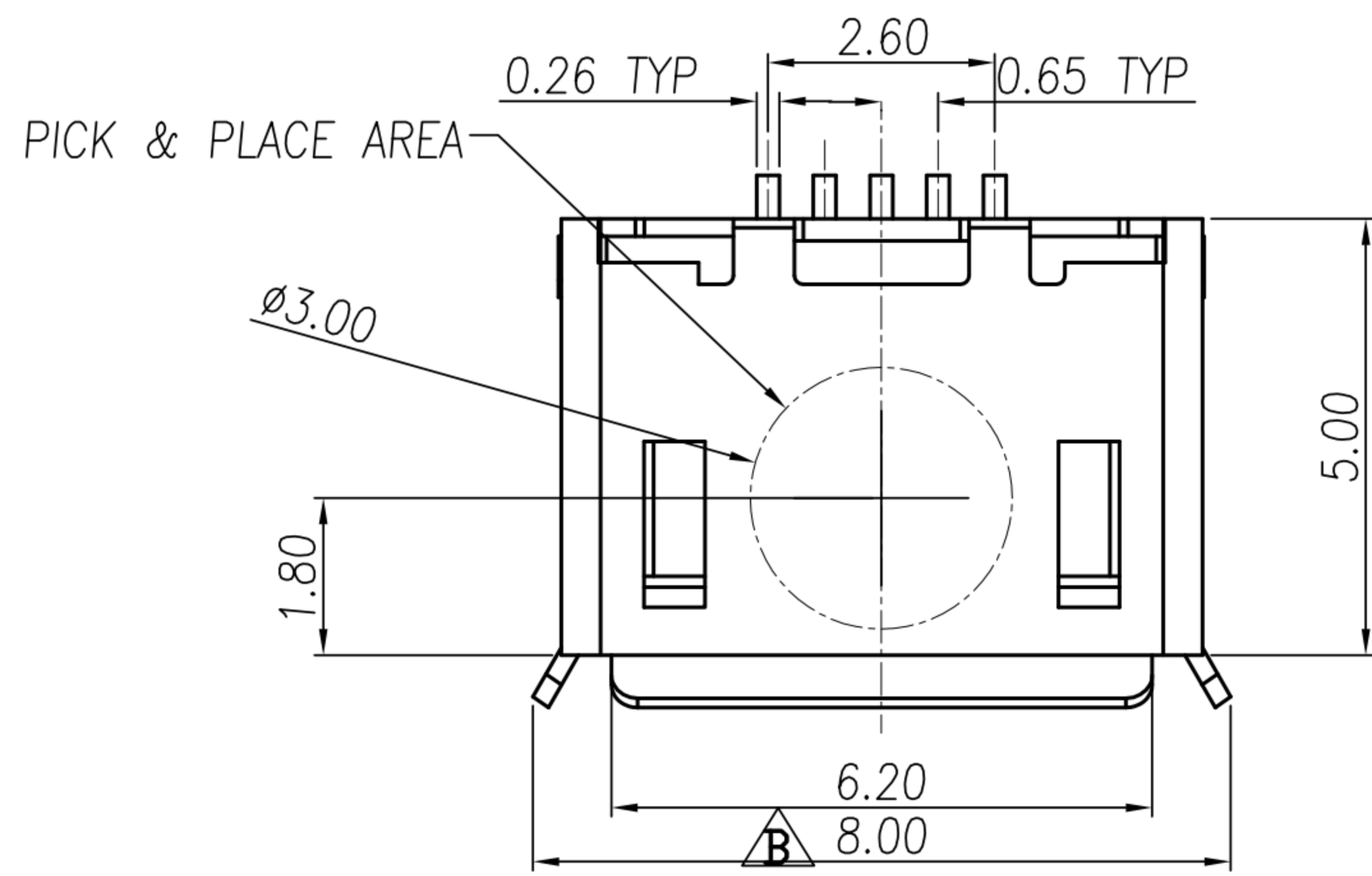
1. 若有未裝滿之零數箱,必須以緩衝材塞滿.
2. 在搬運過程中要輕拿輕放.
3. 載運輸中不可堆放過多,不可有重壓現象.
4. 在裝滿產品後,必須空留帶前和帶後15格以上,然後用紙膠布貼上.
5. 上帶在貼下帶時必須平整,且黏貼處不要出現氣泡.

P/N	SHELL PLATING	CONTACT PLATING	L
MU-05F4-44	GOLD FLASH	GOLD 10u"	0.4
MU-05F4-63	MATTE TIN	GOLD 10u"	0.4
MU-05F4-75	MATTE TIN	GOLD 10u"	0.9
MU-05F4-77	MATTE TIN	GOLD 30u"	0.4

DRAWN	Jen Xie	APP'D	Emily Suen	UNIT	mm	TOLERANCE			TITLE	MICRO USB 5PIN (F) B TYPE DIP			SHEET
CHK'D	Emily Suen			SCALE	1:1	.x ±0.20 .xx ±0.10 .xxx ±0.05 .xxxx ±0.03 ANGULA ±1°			PART NO.	SEE TABLE A	DWG NO.	QC3274	VERSION

CUSTOMER DRAWING

REV.	DESCRIPTION	APPROVED BY	DATE	ECN NO.
A	RELEASE	Fido Weng	22/12/08'	ECN10097
B	MODIFY DIM	Fido Weng	20/01/11'	ECN11010
C				



RECOMMEND P.C.B LAYOUT

- MATERIAL :
 - HOUSING : LCP UL94V-0 ; COLOR : BLACK
 - CONTACT : PHOSPHOR BRONZE
 - SHELL : STAINLESS STEEL
- FINISH :
 - CONTACT : GOLD 10u" ON CONTACT AREA
UNDER PLATE : NICKEL
 - SHELL : SEE TABLE A

P/N	SHELL PLATING	CONTACT PLATING	L
MU-05F4-44	GOLD FLASH	GOLD 10u"	0.4
MU-05F4-63	MATTE TIN	GOLD 10u"	0.4
MU-05F4-75	MATTE TIN	GOLD 10u"	0.9
MU-05F4-77	MATTE TIN	GOLD 30u"	0.4

DRAWN	Jen Xie	APPEND	Emily Suen	UNIT	mm	TOLERANCE	.x ±0.20 .xx ±0.10 .xxx ±0.05 .xxxx ±0.03 ANGULA ±1°	TITLE	MICRO USB 5PIN (F) B TYPE ♡DIP			SHEET	1/2
CHKED	Emily Suen	SCALE	1:1	PART NO.	SEE TABLE A	DWG NO.	QC3274	VERSION	B				
				广东科斯达电子科技有限公司 GUANG DONG KE SI DA ELECTRONIC TECHNOLOGY CO., LTD.									