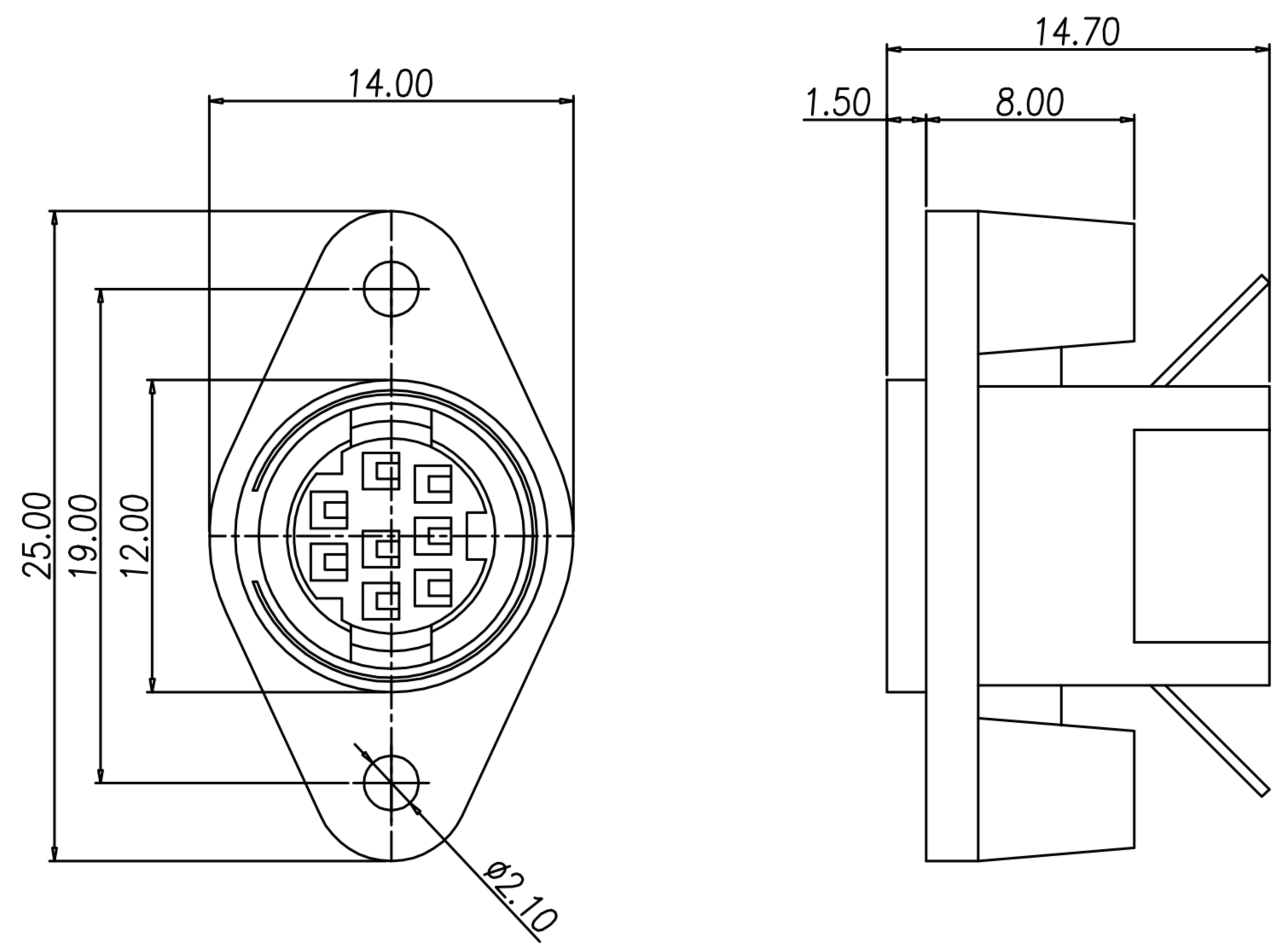
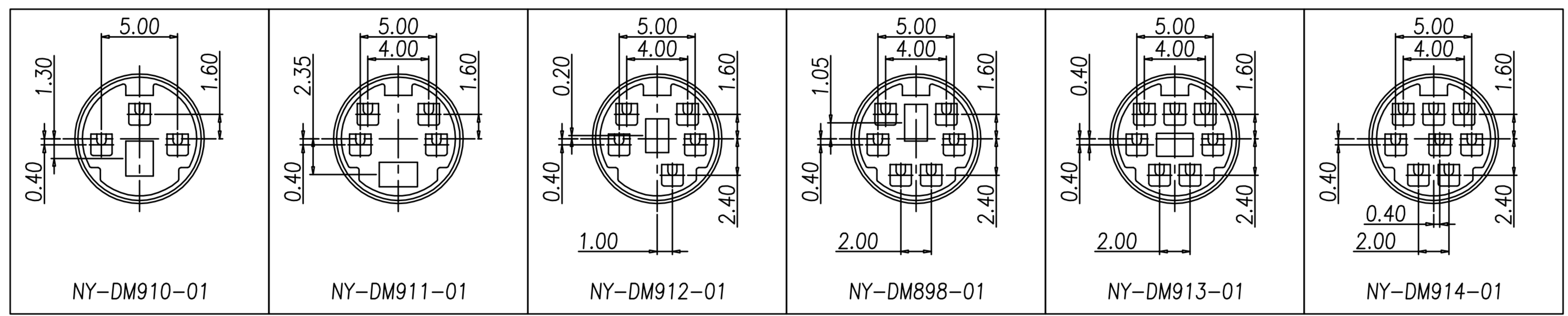


CUSTOMER DRAWING

REV.	DESCRIPTION	APPROVED BY	DATE	ECN NO.
A	RELEASE	Emily Suen	07/12/2011'	
B	更新	yeh	09/07/2020'	
C				



- MATERIAL :
 - HOUSING : PBT UL94V-0 ; COLOR : BLACK
 - SHELL : BRASS
- FINISH :
 - SHELL : BRIGHT TIN 60u" ON OVER ALL
- ELECTRICAL SPECIFICATION :
 - Rated current : 1A
 - Voltage : 100V AC
- Environmental :
 - Operation Temperature : -20°C~+85°C



DRAWN	Yeh Chou	APP'D	Ku Chou	UNIT	mm	TOLERANCE			广东科斯达电子科技有限公司 GUANG DONG KE SI DA ELECTRONIC TECHNOLOGY CO., LTD.	TITLE	MINI DIN(F)雙耳鎖板式(半成品)			SHEET	1
CHK'D	Emily Suen			SCALE	1:1					PART NO.	SEE TABLE A	DWG NO.	QC9512	VERSION	B