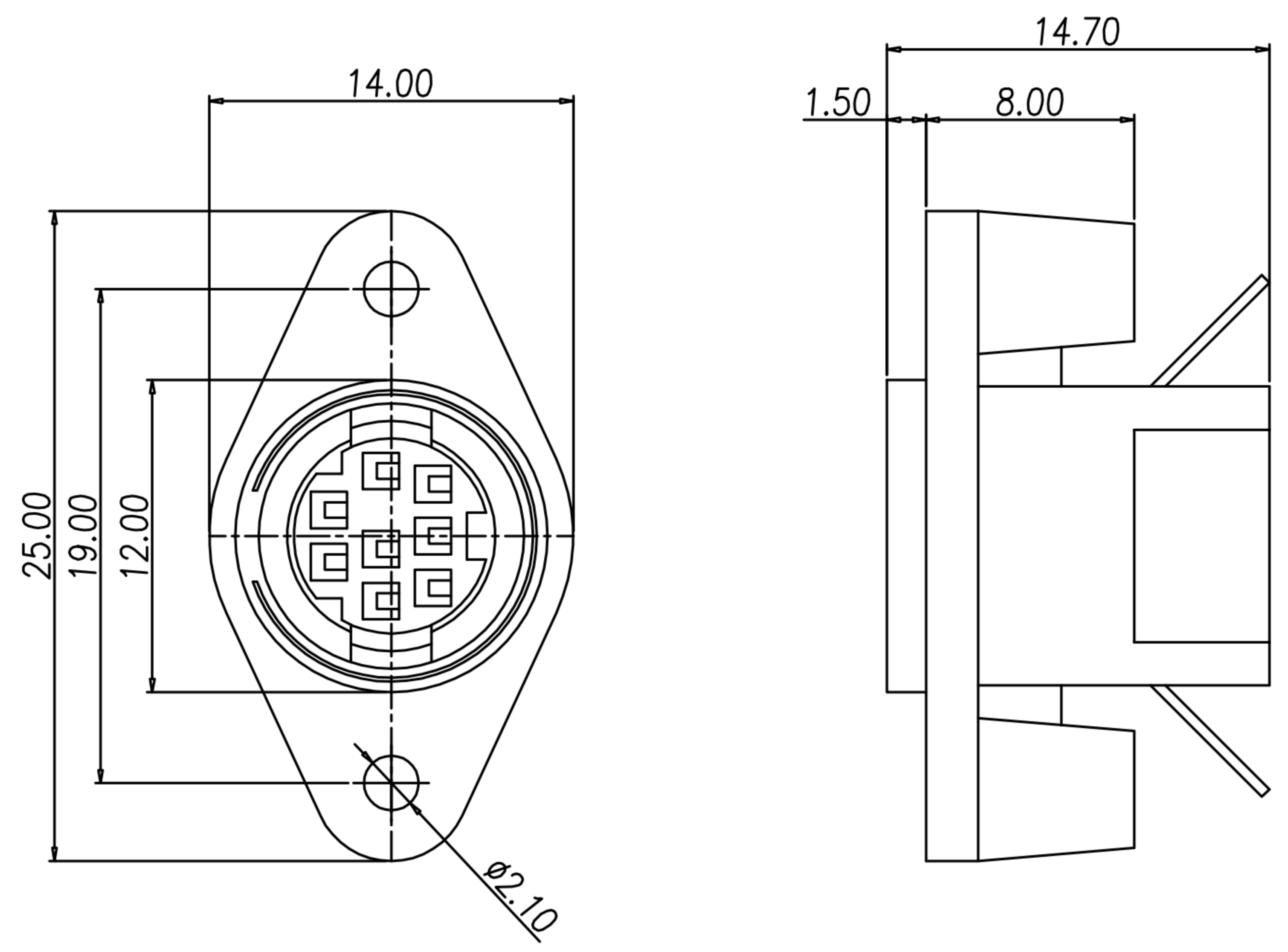


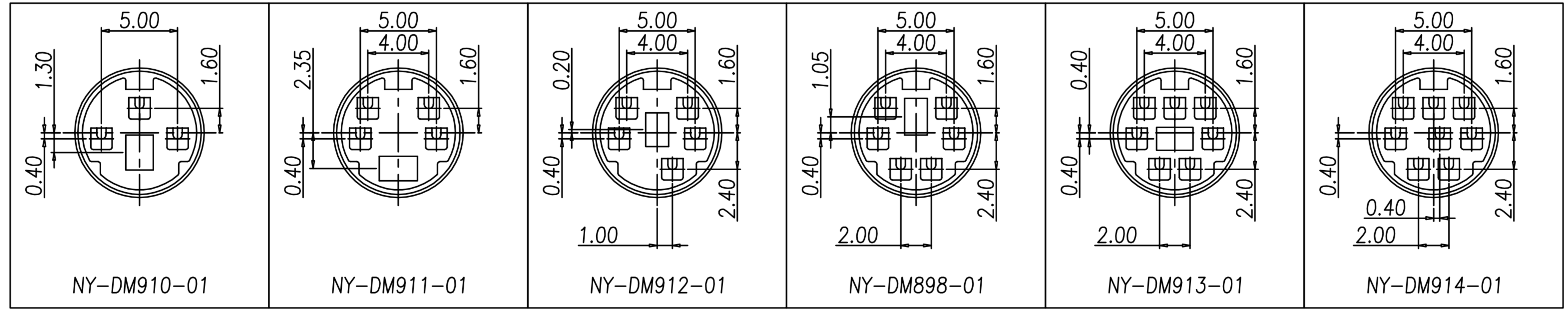
A B C D E F

CUSTOMER DRAWING

REV.	DESCRIPTION	APPROVED BY	DATE	ECN NO.
△A	RELEASE	Emily Suen	07/12/2011'	
△B	更新機	yeh	09/07/2020'	
△C				



- MATERIAL :
  - HOUSING : PBT UL94V-0 ; COLOR : BLACK
  - SHELL : BRASS
- FINISH :
  - SHELL : BRIGHT TIN 60u" ON OVER ALL
- ELECTRICAL SPECIFICATION :
  - Rated current : 1A
  - Voltage : 100V AC
- Environmental :
  - Operation Temperature : -20℃~+85℃



DRAWN	Yeh Chou	APP'D	Ku Chou	UNIT	mm	TOLERANCE		广东科斯达电子科技有限公司 GUANG DONG KE SI DA ELECTRONIC TECHNOLOGY CO., LTD.	TITLE	MINI DIN(F)雙耳鎖板式(半成品)			SHEET	
CHK'D	Emily Suen			SCALE	1:1	.x ±0.20 .xx ±0.15 .xxx ±0.10 .xxxx ±0.05 ANGULA ±1°			PART NO.	SEE TABLE A	DWG NO.	QC9512	VERSION	