

CUSTOMER DRAWING

REV.	DESCRIPTION	APPVL. BY	DATE	ECN NO.
△A	RELEASE	Fido Weng	08/03/09'	
△B				
△C				

步驟一:

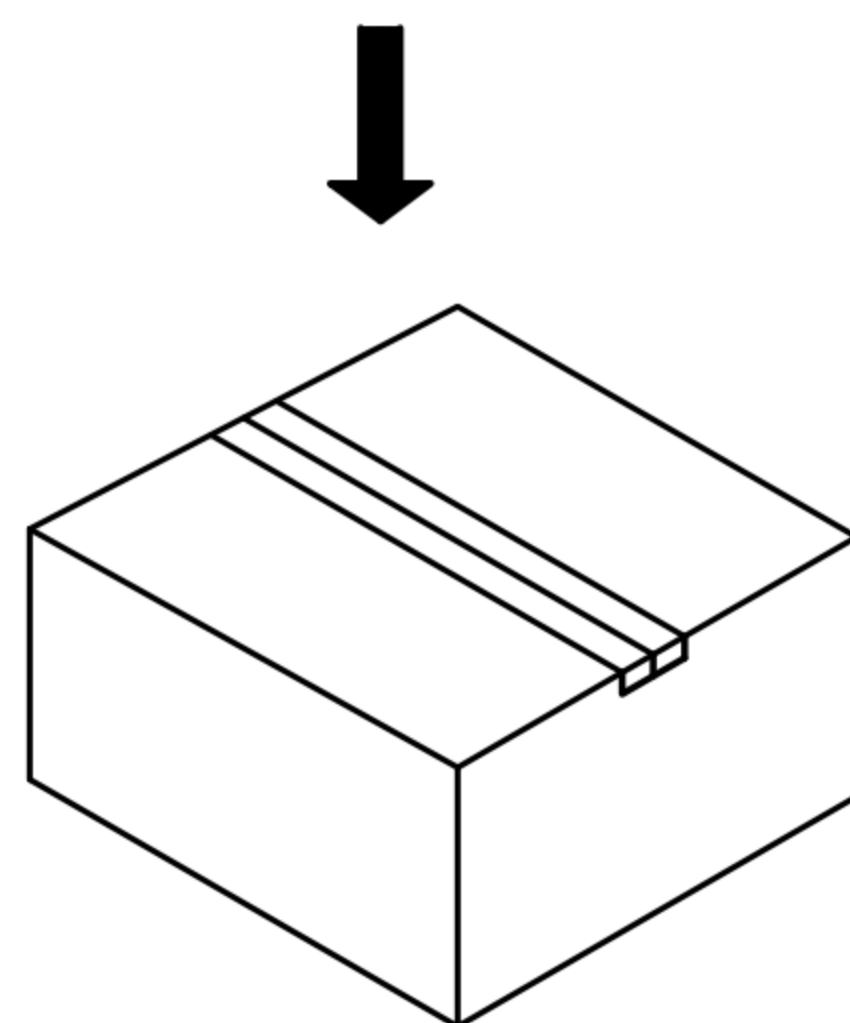
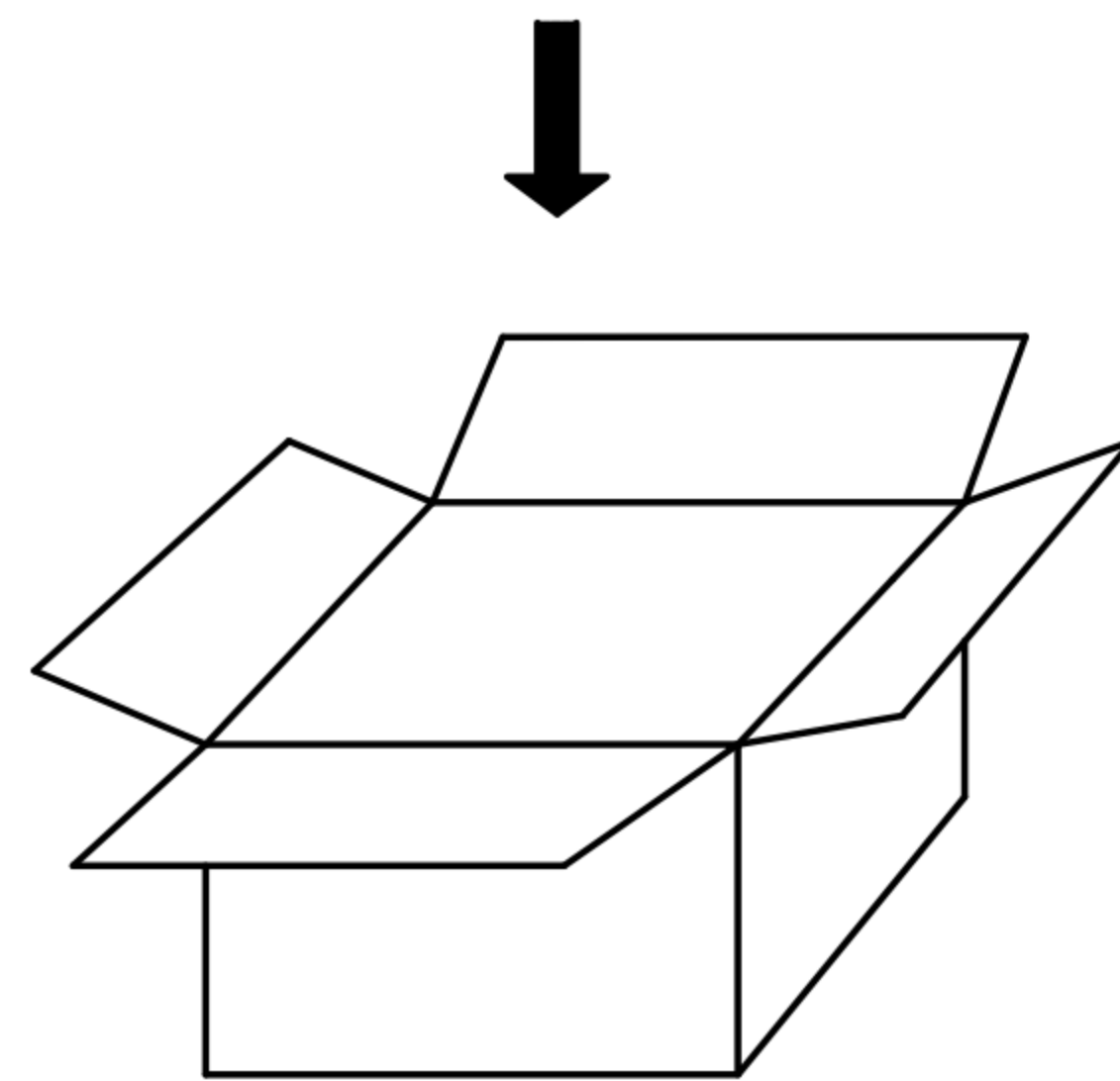
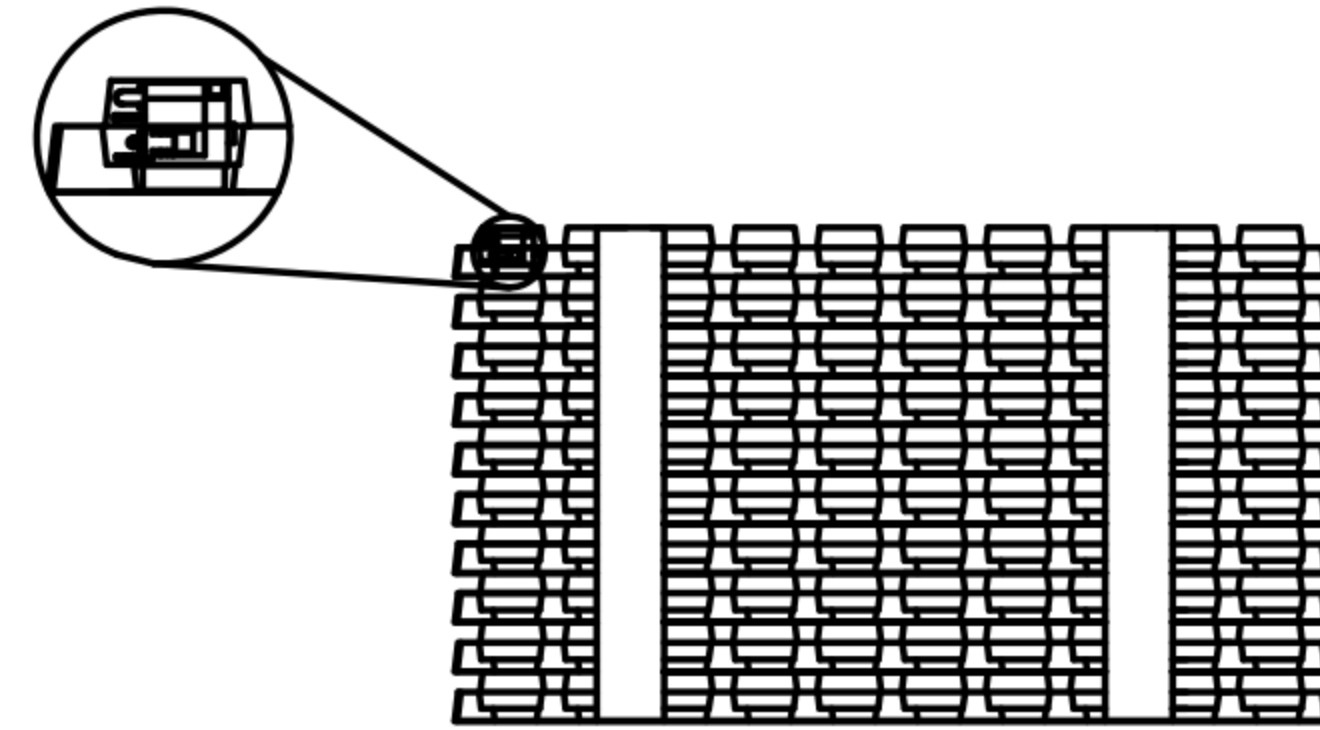
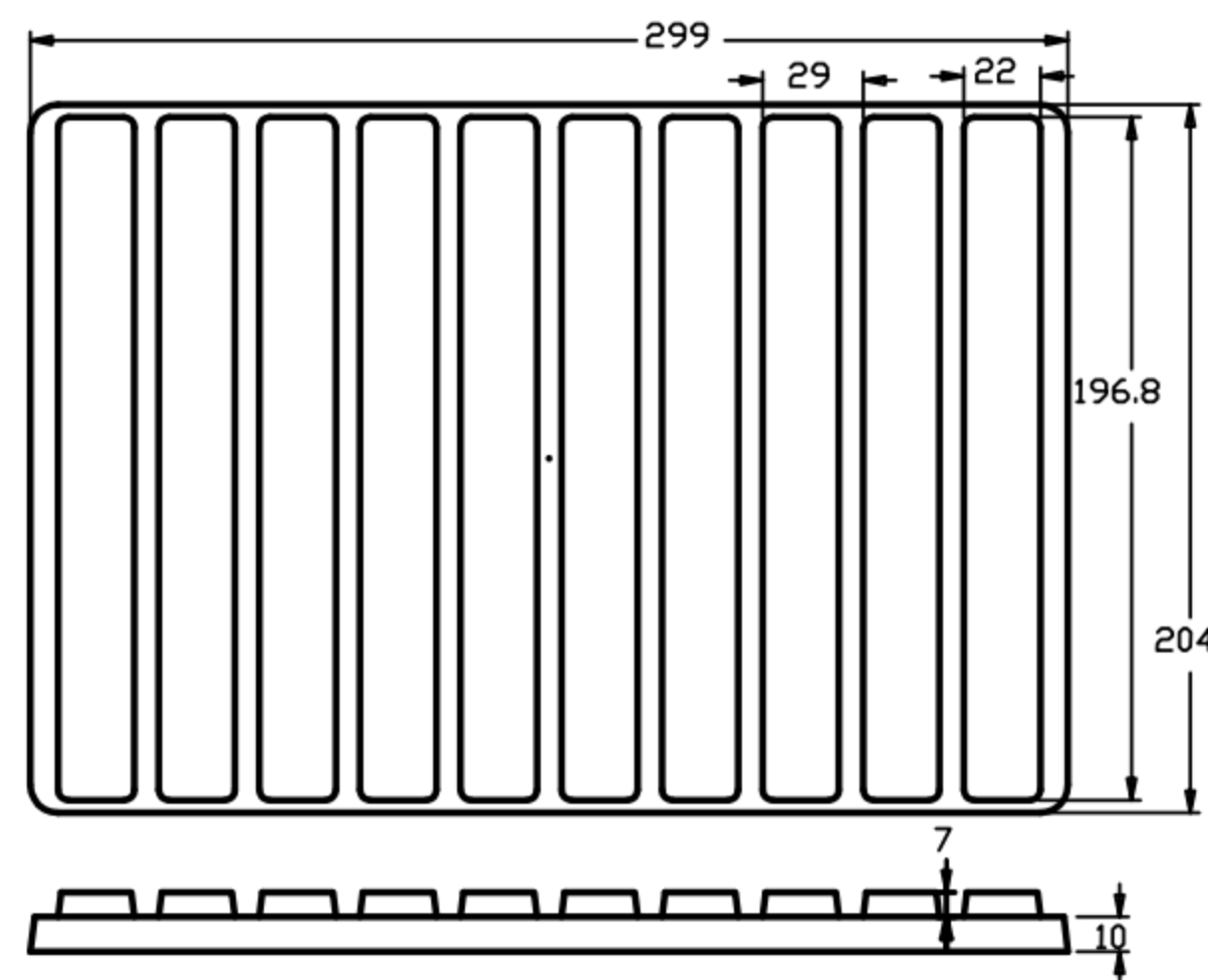
1. 將成品一一放入包裝盤內, 依同一方向置入.
2. 包裝方式, 如圖所示.
3. 一個包裝盤 100pcs.

步驟二:

1. 一個紙箱可以裝 10 個包裝盤
2. 每盤 100pcs, 每箱 1000pcs.
3. 膠模固定後將包裝盤放紙箱中, 後封箱.

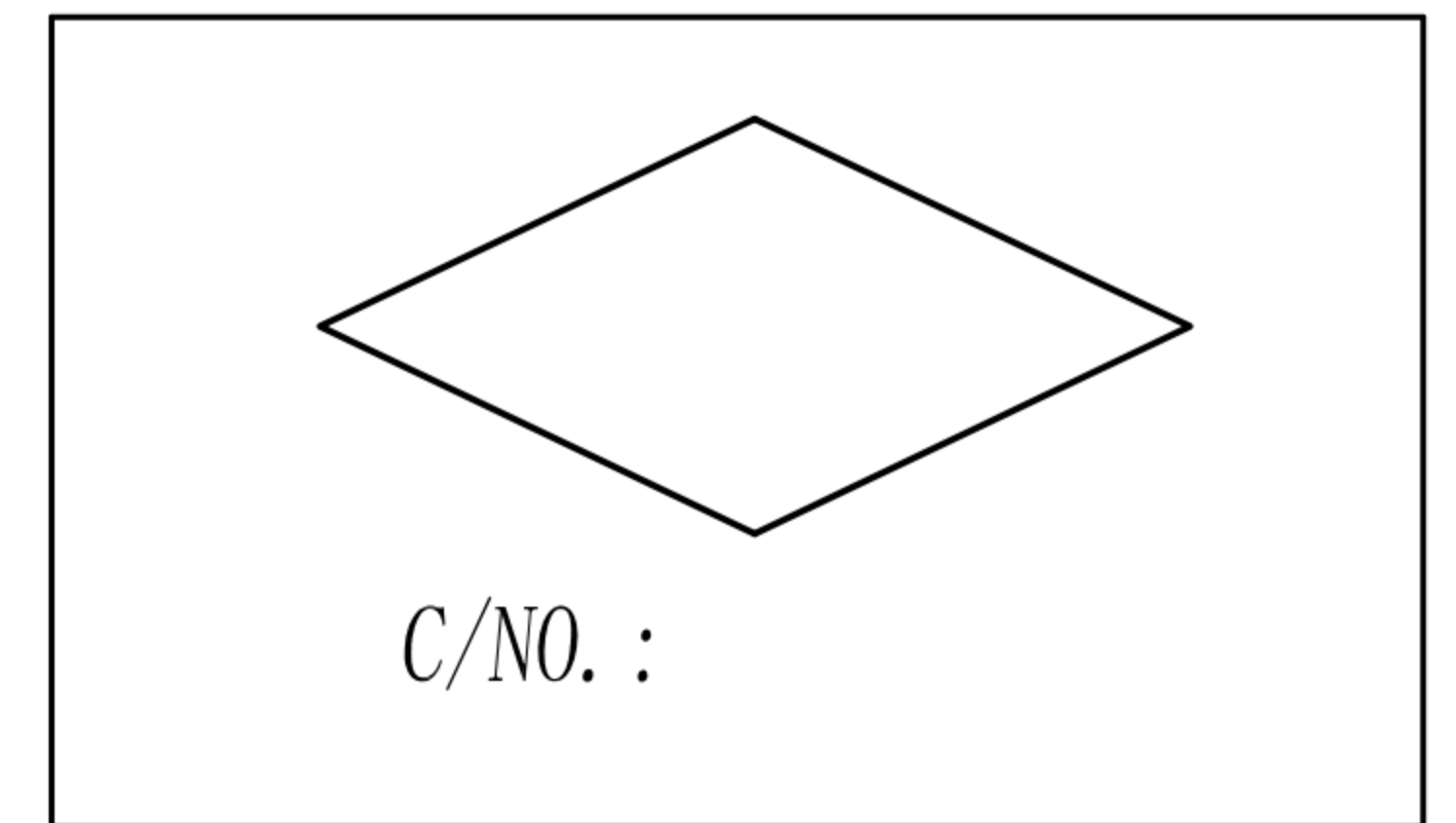
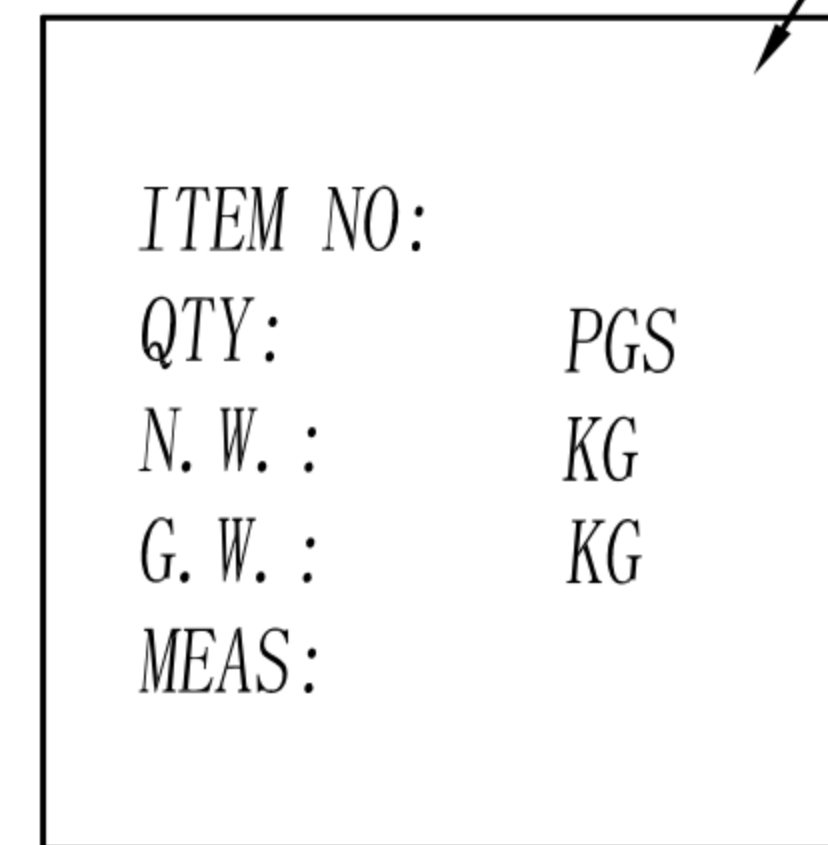
步驟三:

1. 用膠帶將紙箱封實.
2. 將標籤貼於紙箱上.



紙箱

標籤處



NOTE:

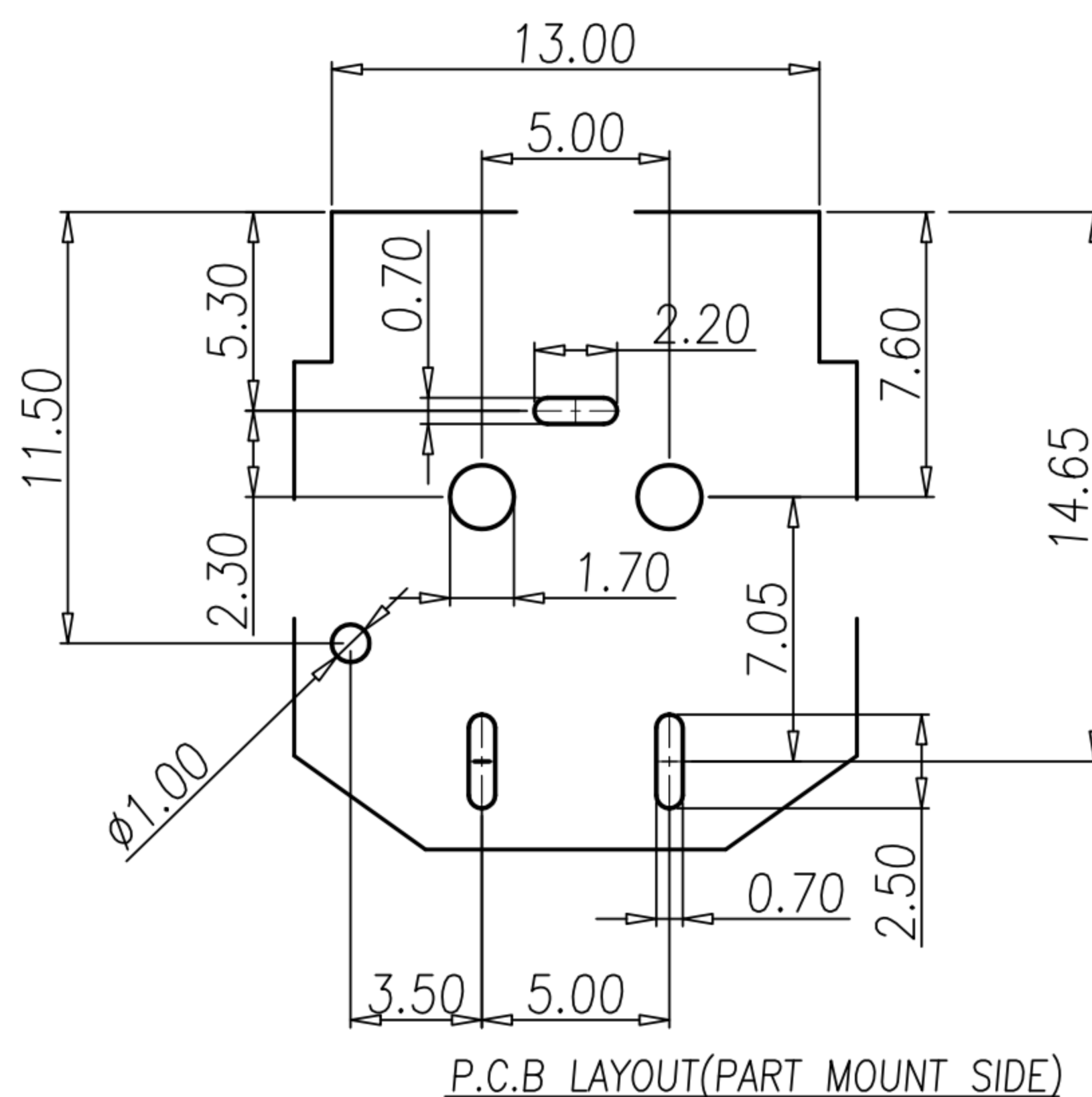
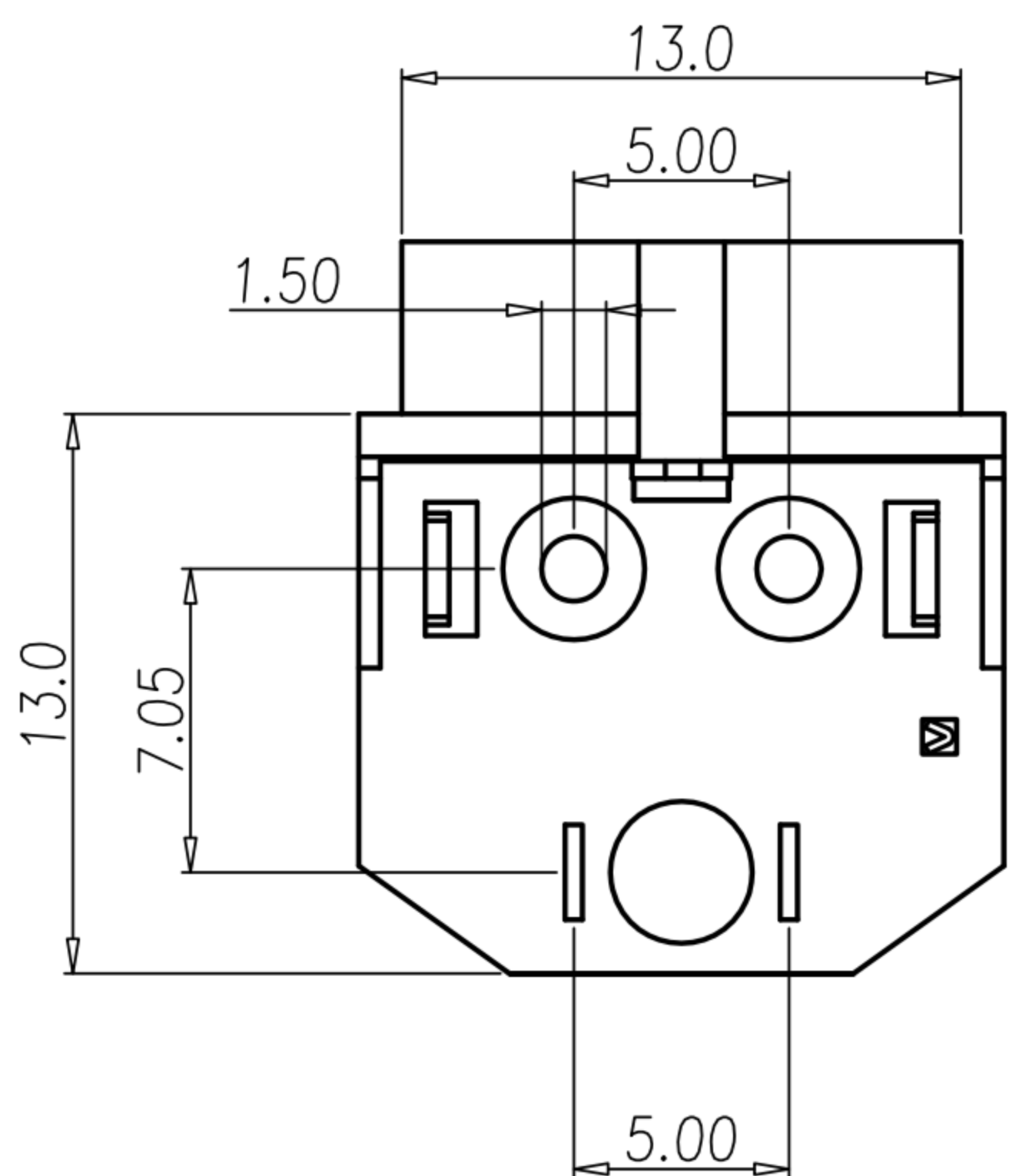
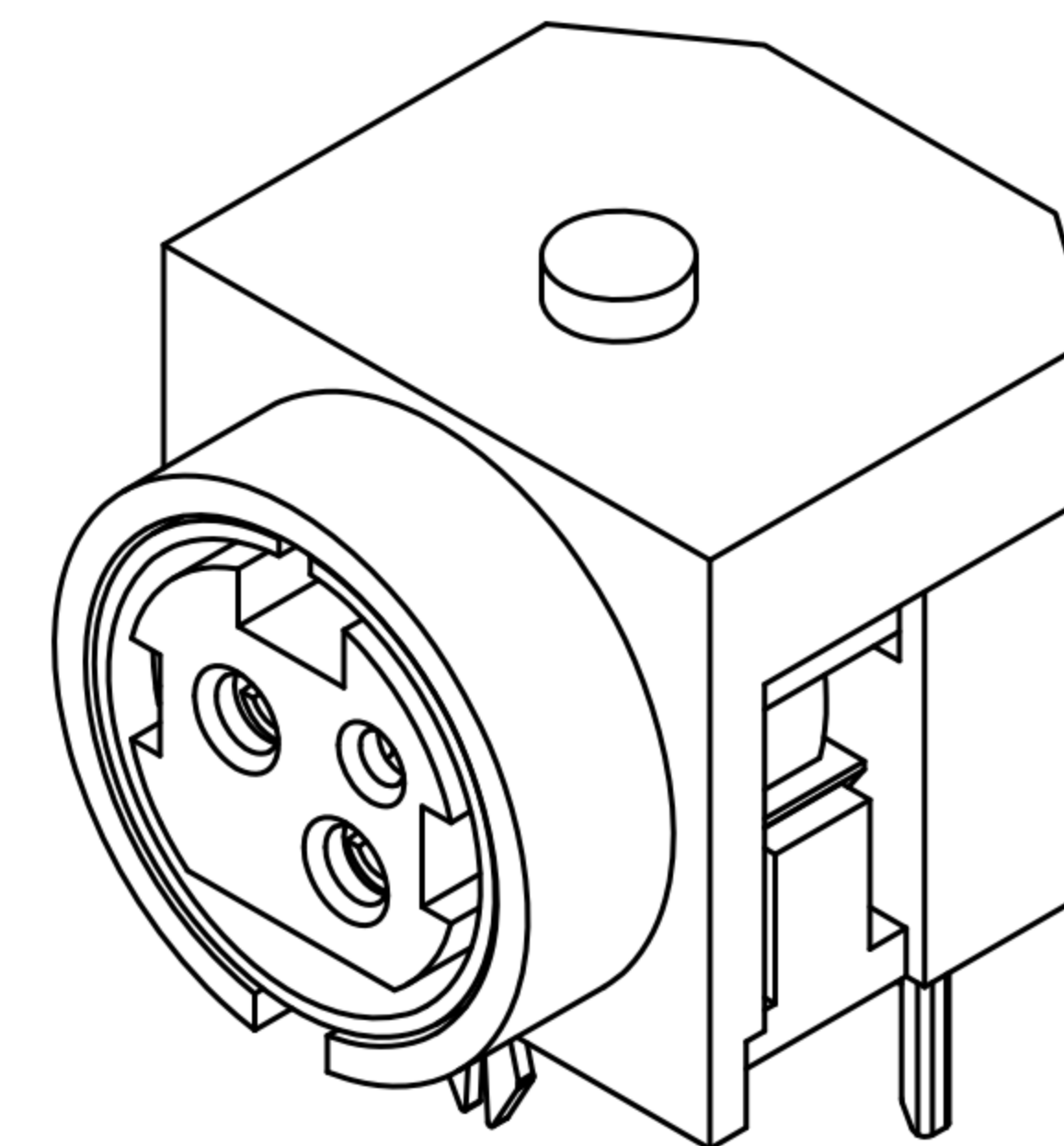
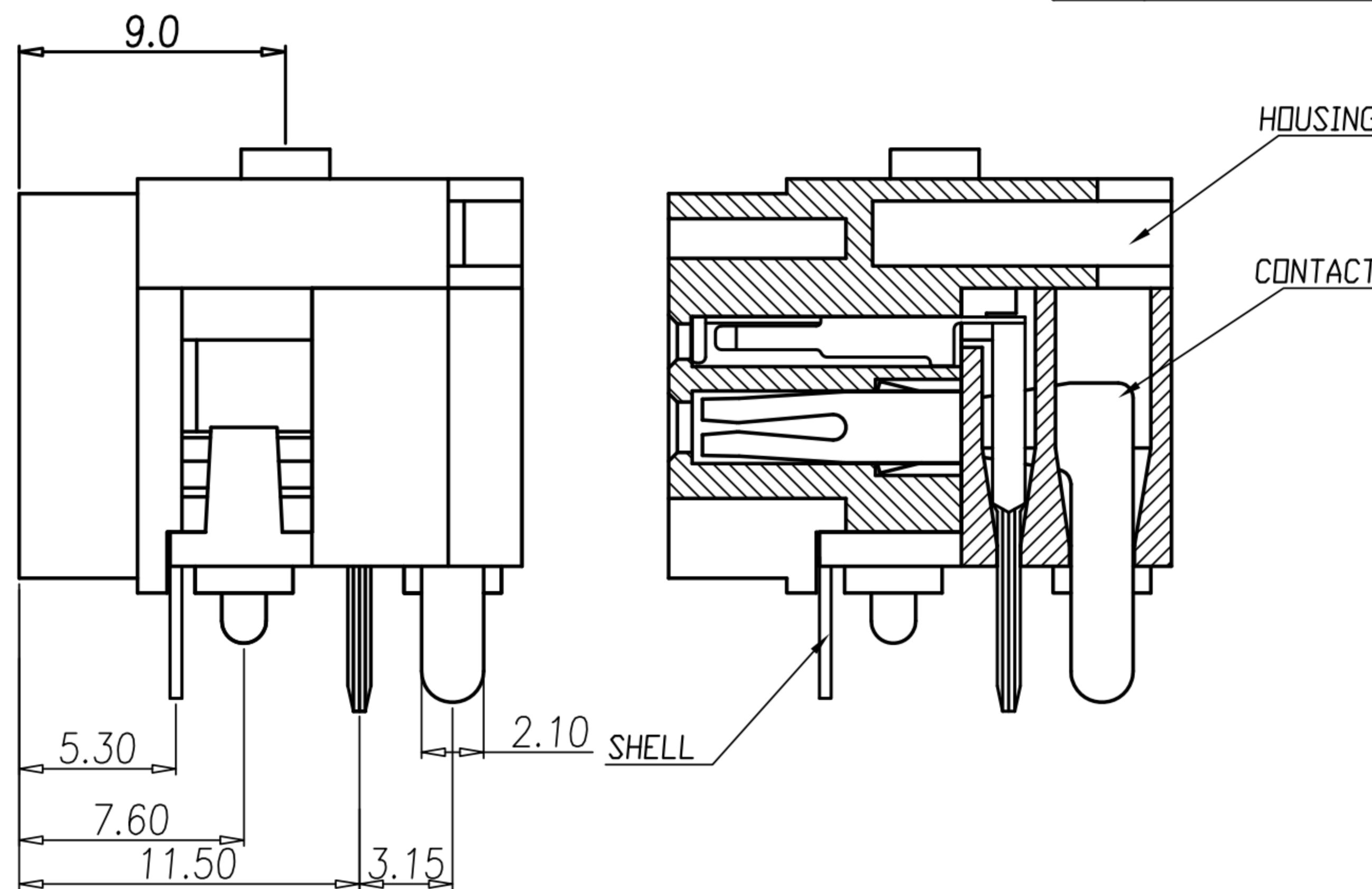
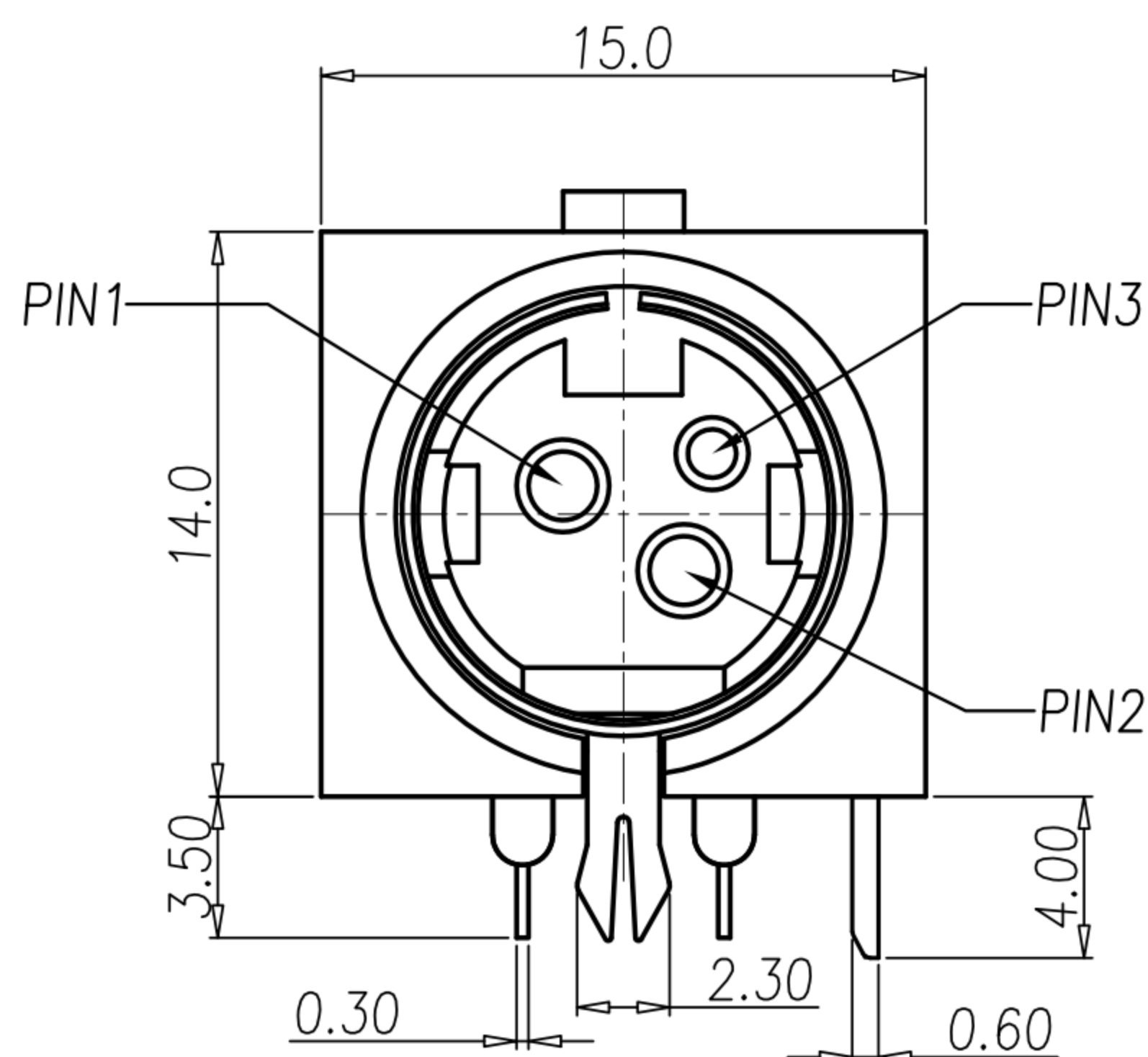
1. 若有未裝滿之零數箱, 必須以緩衝材塞滿.
2. 在搬運過程中要輕拿輕放.
3. 載運輸中不可堆放過多, 不可有重壓現象.

DRAWN	Ren Liao	APP'D	Fido Weng	UNIT	mm	TOLERANCE			TITLE	PowerDin 3(F) 插頭 DIP			SHEET	2
CHK'D	Emily Suen			SCALE	1:1				PART NO.	SEE TABLE A	DWG NO.	QC0358	VERSION	B

广东科斯达电子科技有限公司
GUANG DONG KE SI DA ELECTRONIC TECHNOLOGY CO., LTD.

CUSTOMER DRAWING

REV.	DESCRIPTION	APPVL. BY	DATE	ECN NO.
A	RELEASE	Fido Weng	24/02/09*	
B	RELEASE	Fido Weng	07/05/10*	
C				



- MATERIAL :
 - HOUSING : SEE TABLE A
 - CONTACT : PHOSPHOR BRONZE
 - SHELL : BRASS
 - BACK COVER : SEE TABLE A
- FINISH :
 - CONTACT : 30 MICRO INCHES MIN. SILVER PLATING OVER NICKEL
 - SHELL : NICKEL PLATED 60u" ~ 100u" OVER ALL
- ELETRICAL SPECIFICATION :
 - RATED CURRENT : PIN1 & PIN2 : 7.5A
PIN3 : 1A
 - RATED VOLTAGE : 20V DC
- ENVIRONMENTAL :
 - OPERATION TEMPERATURE : -20 °C ~ 85°C

TABLE A

PART NO.	HOUSING & BACK COVER
PD-03F2-01	PBT UL94V-0
PD-03F2-05	LCP UL94V-0

DRAWN	Ren Liao	APP'D	Fido Weng	UNIT	MM	TOLERANCE			广东科斯达电子科技有限公司 GUANG DONG KE SI DA ELECTRONIC TECHNOLOGY CO., LTD.	TITLE	PowerDin 3(F) 板端 DIP			SHEET	1/2
CHK'D	Emly Suen			SCALE	1:1					PART NO.	SEE TABLE A	DWG NO.	QC0358	VERSION	B