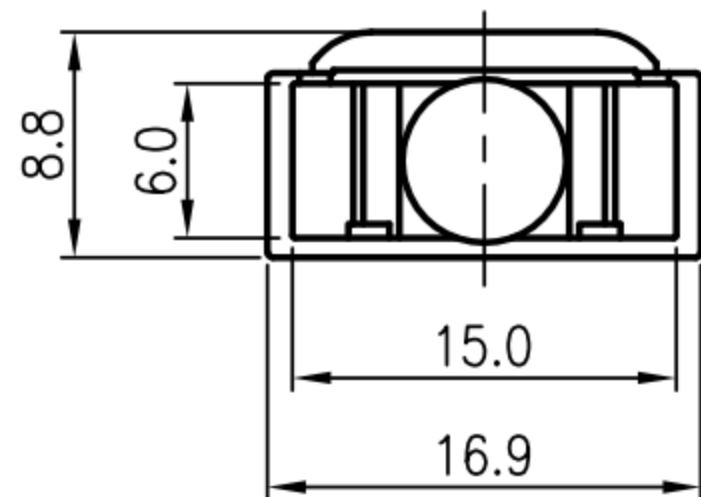
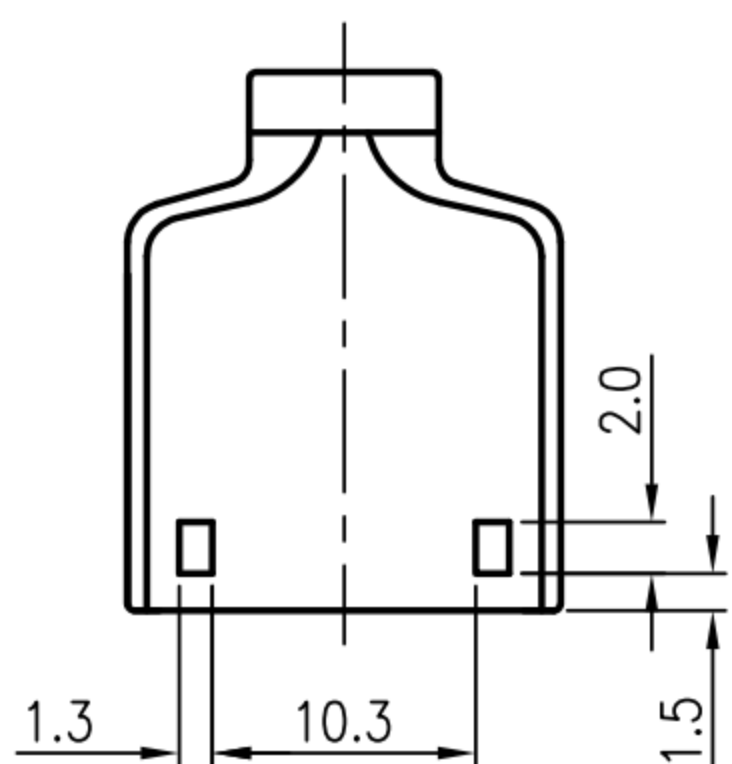
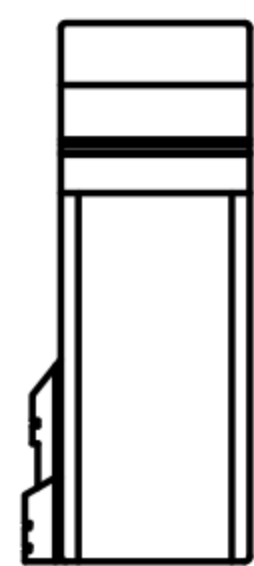
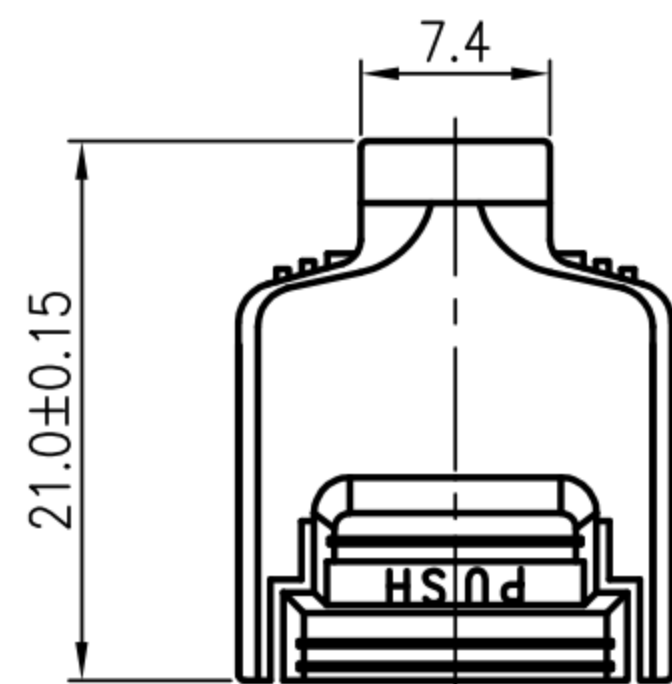
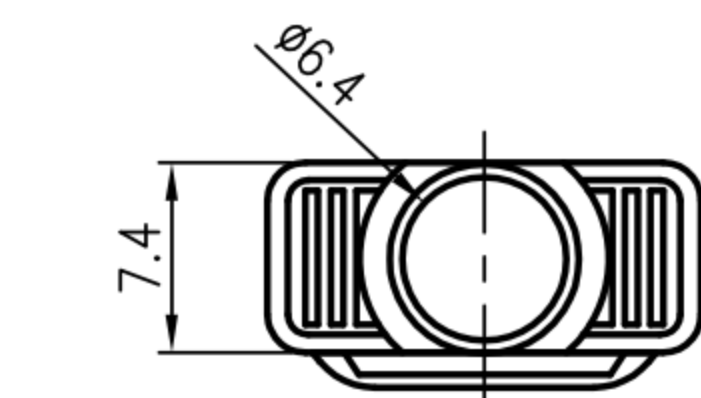
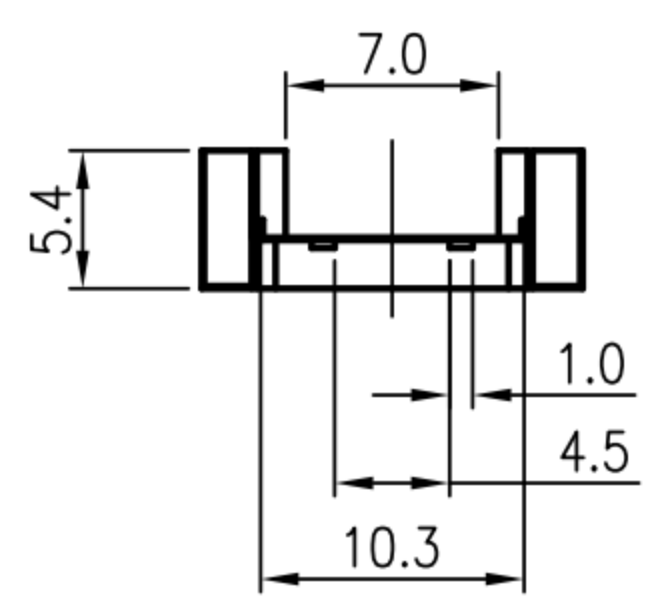
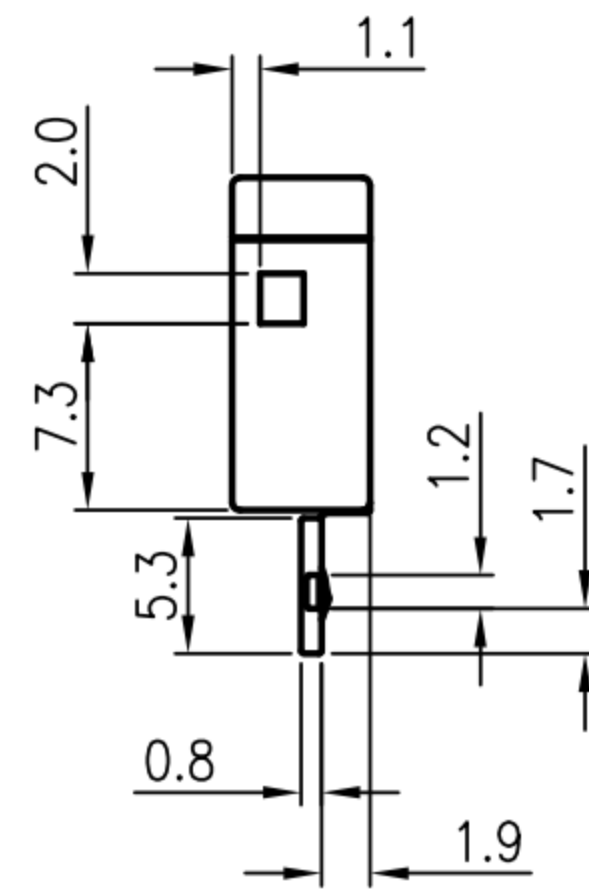
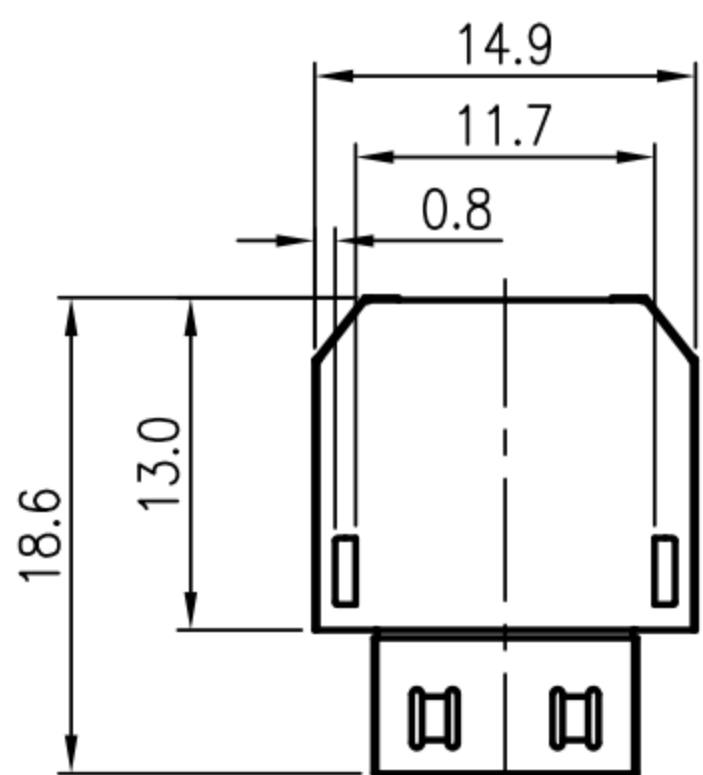


CUSTOMER DRAWING

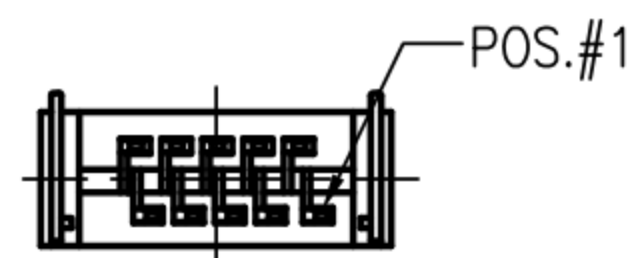
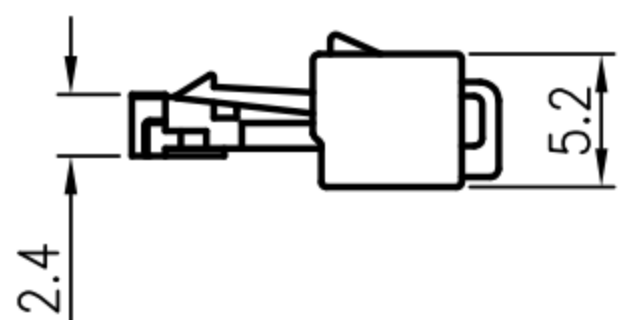
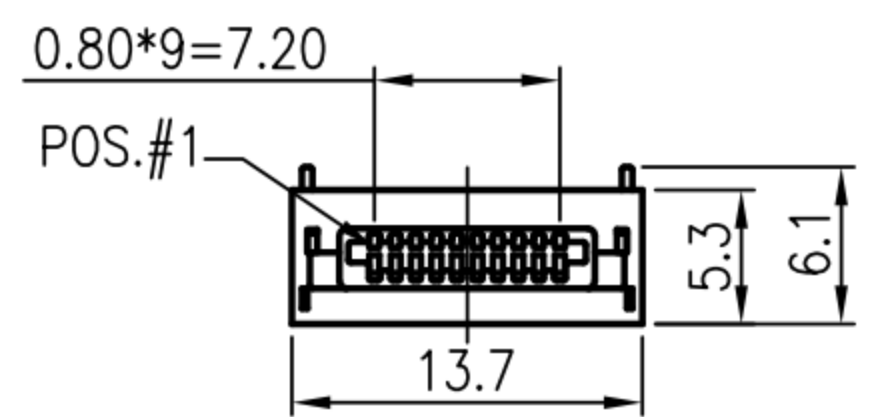
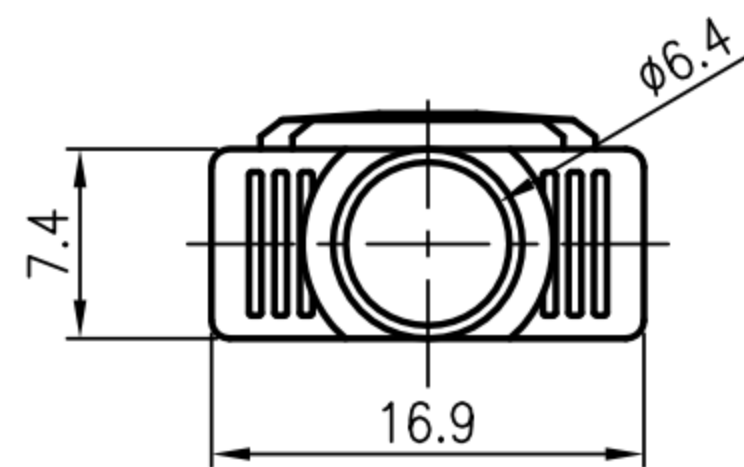
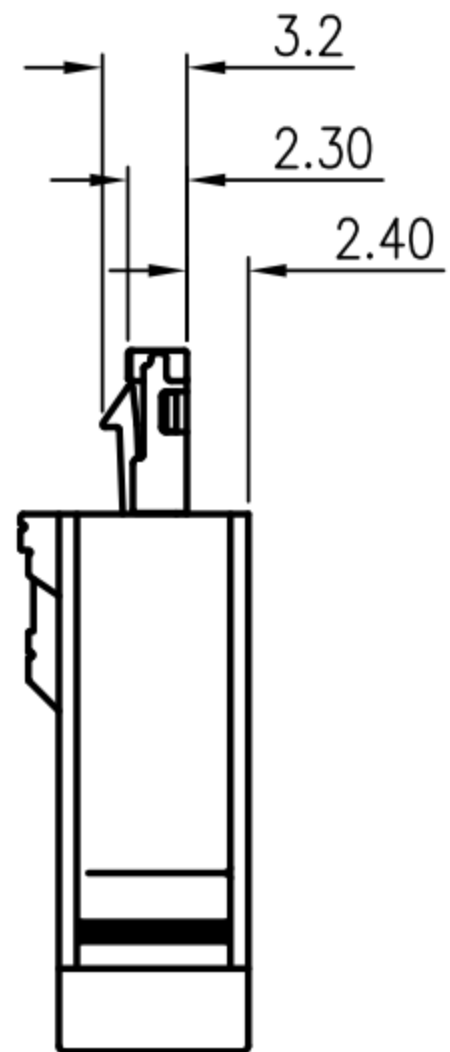
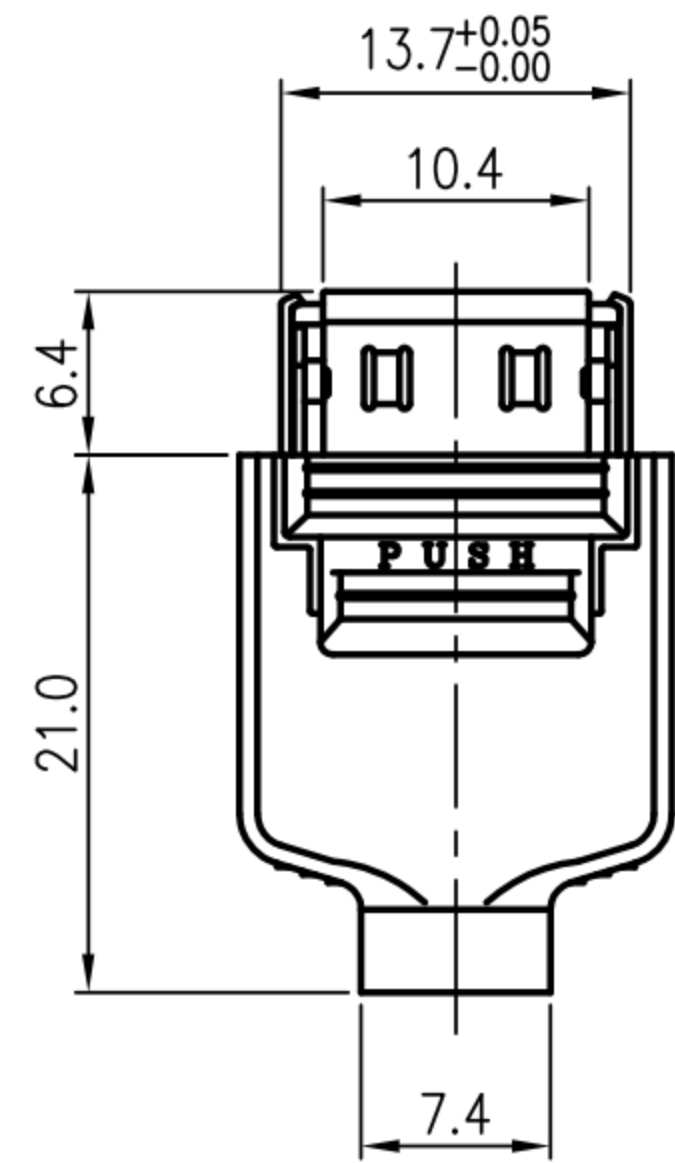
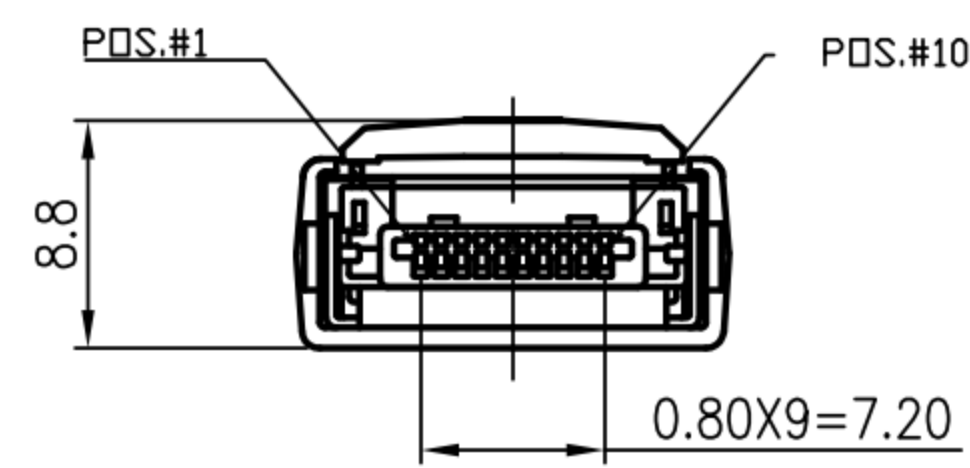
REV.	DESCRIPTION	APPVL. BY	DATE	ECN NO.
△A	RELEASE	Fido Weng	02/03/10"	
△B				
△C				



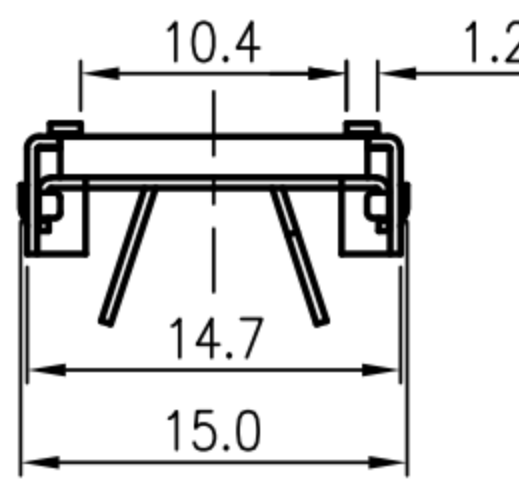
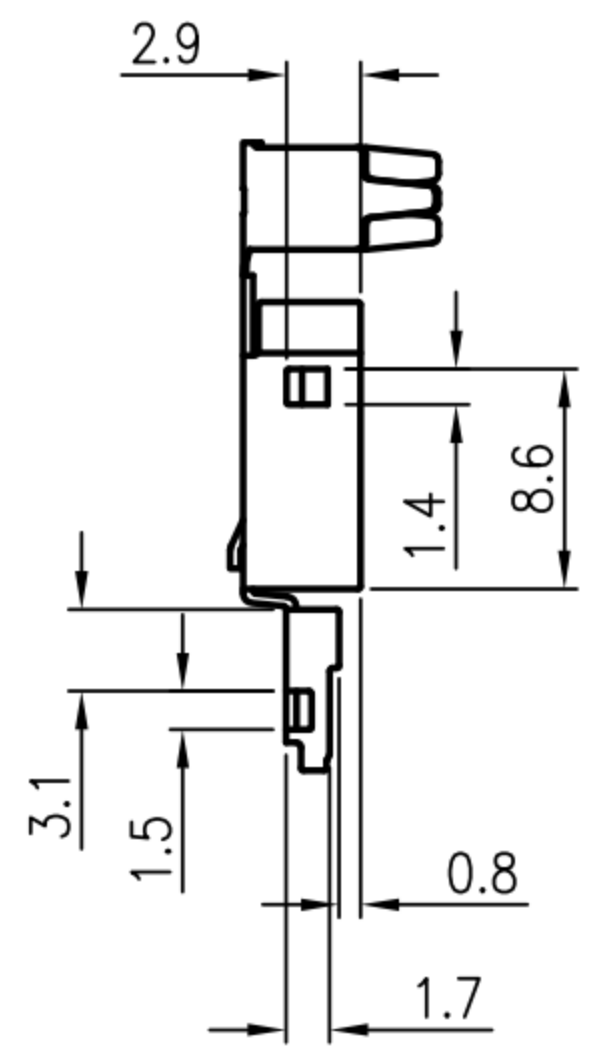
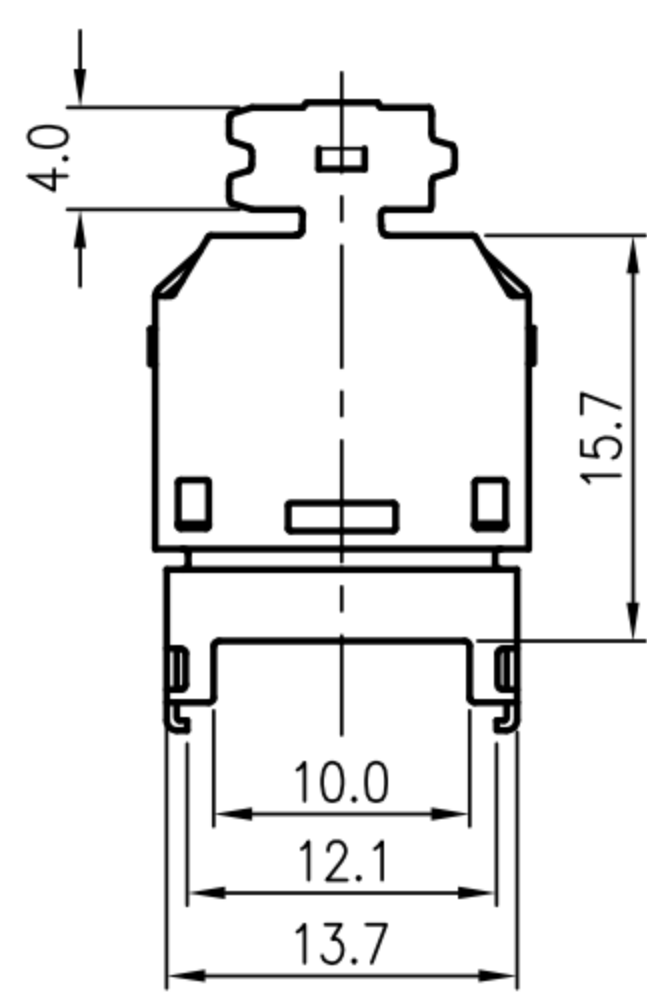
ON-PC0084
PLASTIC COVER



OY-PC0128
METAL UP COVER



NY-PC201
HOUSING+CONTACT



OY-PC0116
METAL DOWN COVER

- NOTE:
- MATERIAL:
 - 1-1.PLASTIC COVER: C1200(ABS+PC)94-V0
 - 1-2.HOUSING: PBT+30GF(BLACK)
 - 1-3.METAL UP COVER: NICKEL SILVER
 - 1-4.METAL DOWN COVER: BRASS
 - 1-5.CONTACT: PHOSPHOR BRONZE
 - 1-6.SPRING: STAINLESS SUS#301
 - FINISH:
 - 2-1.CONTACT:CONTACT AREA PLATED GOLD 5u", SOLDER AREA PLATED BRIGHT TIN, UNDER PLATED NICKEL OVER ALL.
 - 2-2.METAL DOWN COVER:NICKEL 60u"

DRAWN	Lily Qin	APP'D	Fido Weng	UNIT	mm	TOLERANCE		<p>广东科斯达电子科技有限公司 GUANG DONG KE SI DA ELECTRONIC TECHNOLOGY CO., LTD.</p>	TITLE	PCMCIA 10PIN 公座成品			SHEET	1/1
CHK'D	Emily Suen			SCALE	1:1	.x ±0.20 .xx ±0.10 .xxx ±0.05 .xxxx ±0.03 ANGULA ±1°			PART NO.	PC-10M2-02	DWG NO.	QC1075	VERSION	A