

CUSTOMER DRAWING

REV.	DESCRIPTION	APPROVED BY	DATE	ECN NO.
A	RELEASE	Fido Weng	19/09/18*	
B				
C				

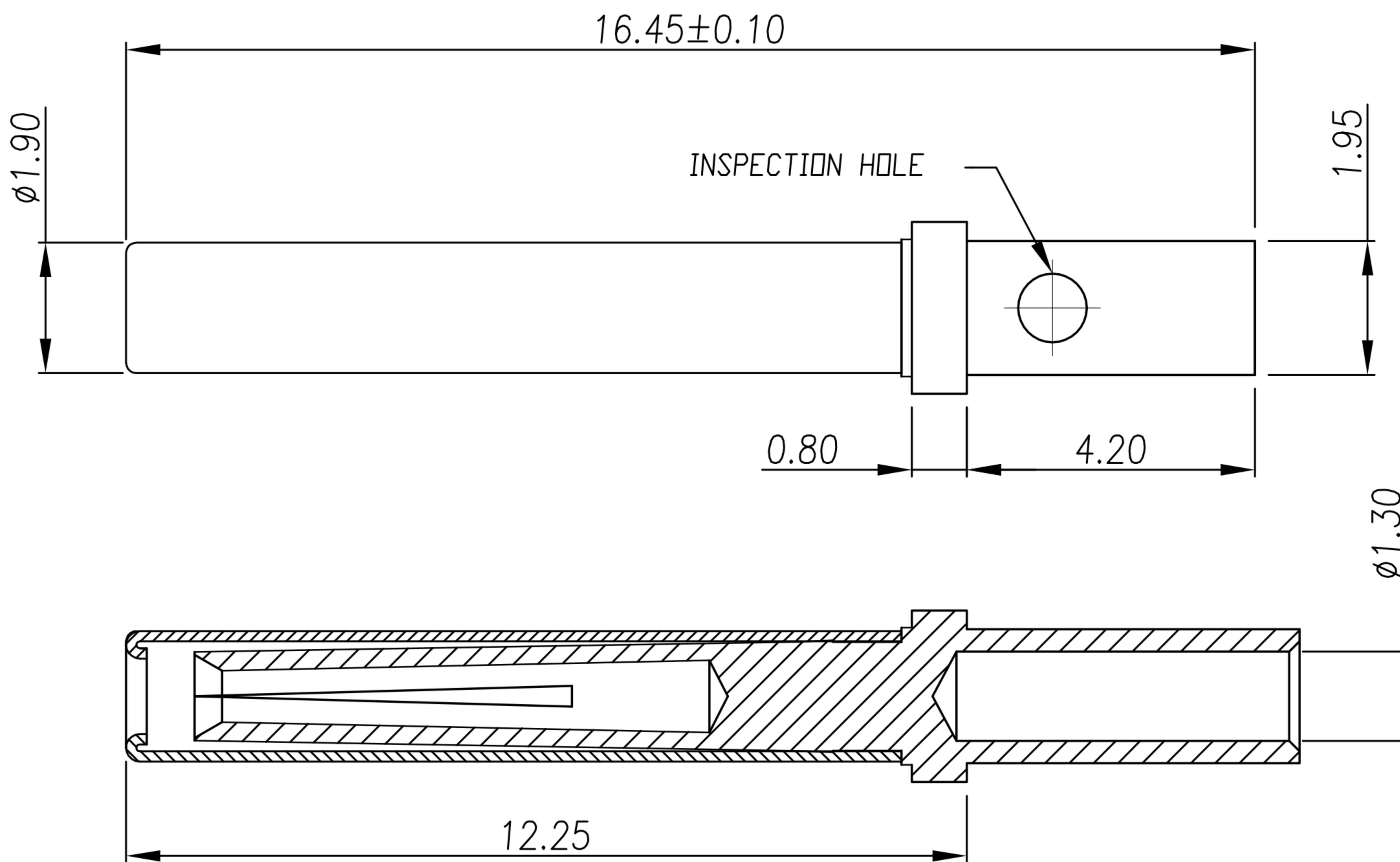


TABLE A

NY-WP1302-10	NICKEL PLATED / 鍍鎳
NY-WP1303-10	10u" GOLD PLATED / 鍍金10u"
PART No.	FINISH

1. MATERIAL :
 - 1-1. CONTACT : BRASS
 - 1-2. SHELL : STAINLESS STEEL
2. FINISH :
 - 2-1. CONTACT : SEE TABLE A

DRAWN	Mark Kao	APPEND	Fido Weng	UNIT	mm	TOLERANCE		广东科斯达电子科技有限公司 GUANG DONG KE SI DA ELECTRONIC TECHNOLOGY CO., LTD.	TITLE	CONTACT SOCKET SIZE 20 (F) 半成品			SHEET	1 A
CHKD	Emily Suen			SCALE	1:1	.x ± 0.20 .xx ± 0.10 .xxx ± 0.05 .xxxx ± 0.03 ANGULA $\pm 1^\circ$			PART NO.	SEE TABLE A	DWG NO.	QC8688	VERSION	