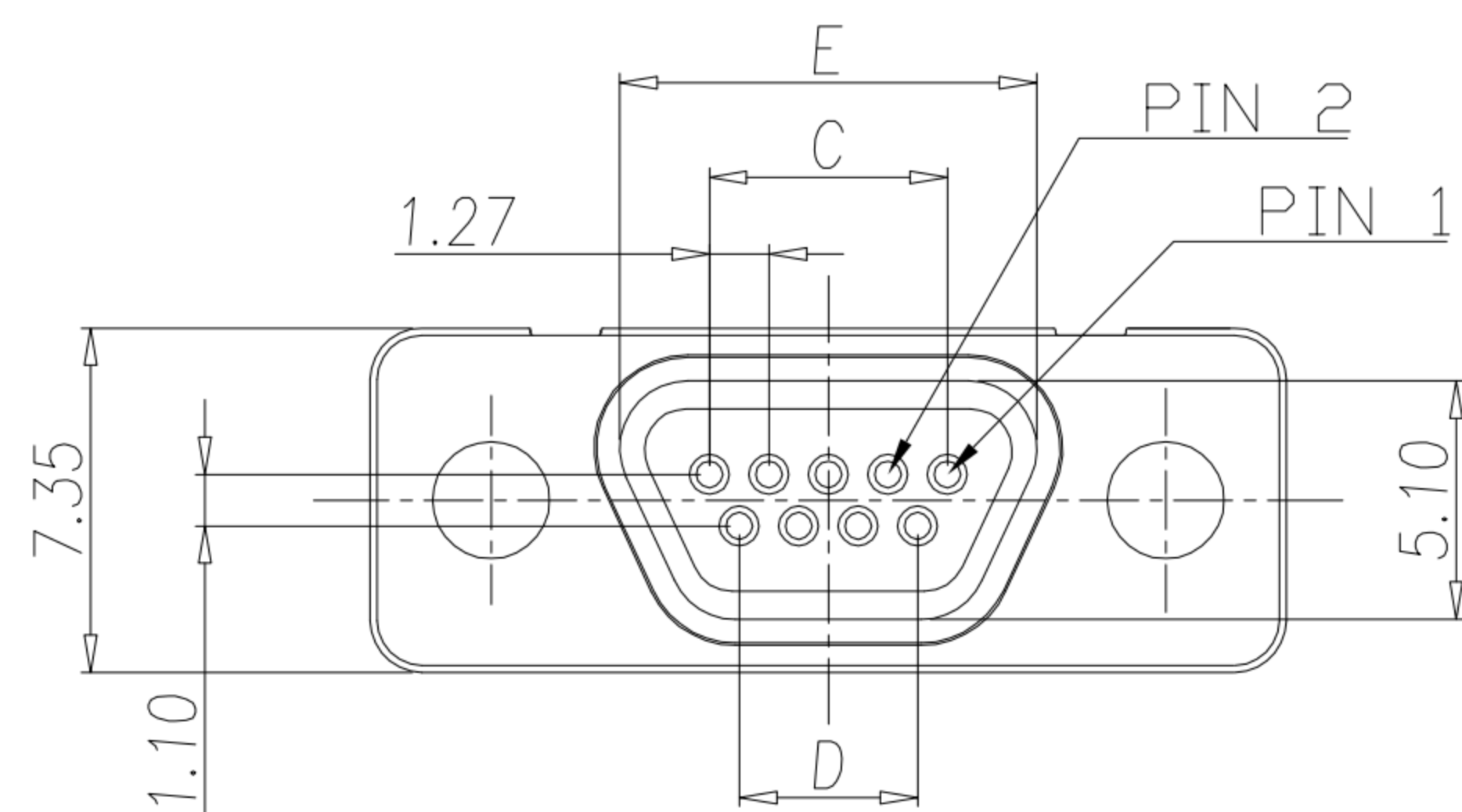
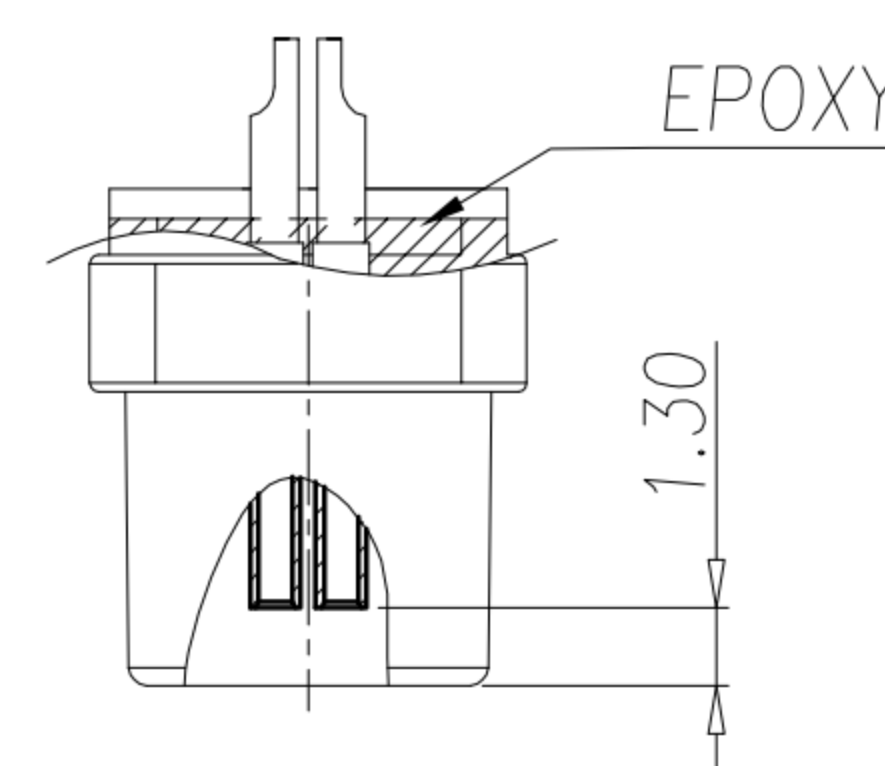
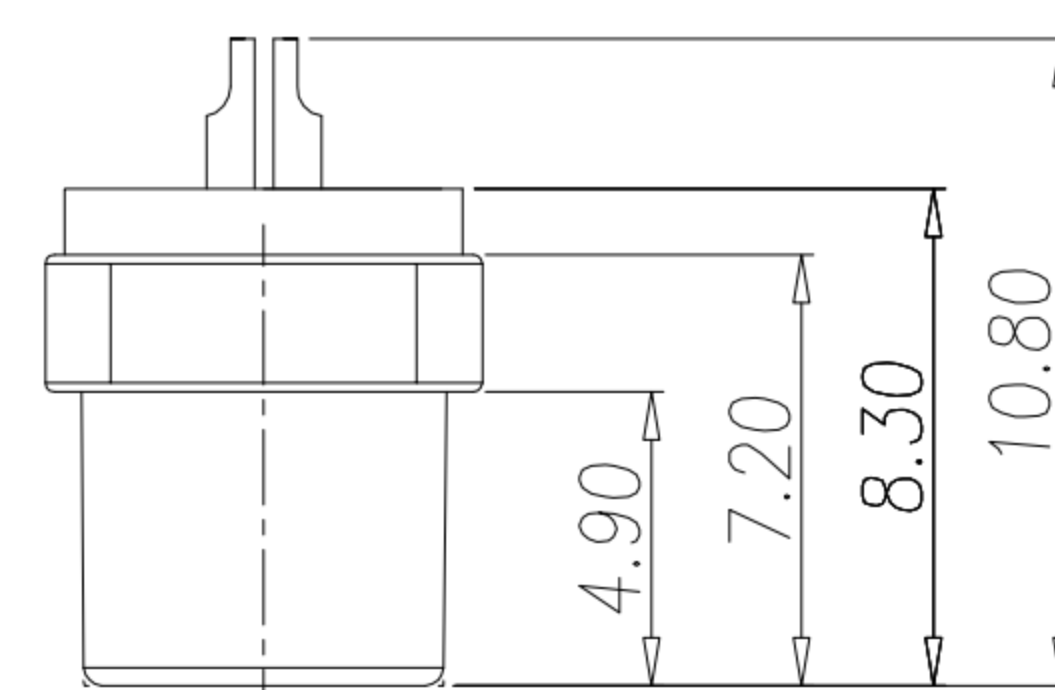
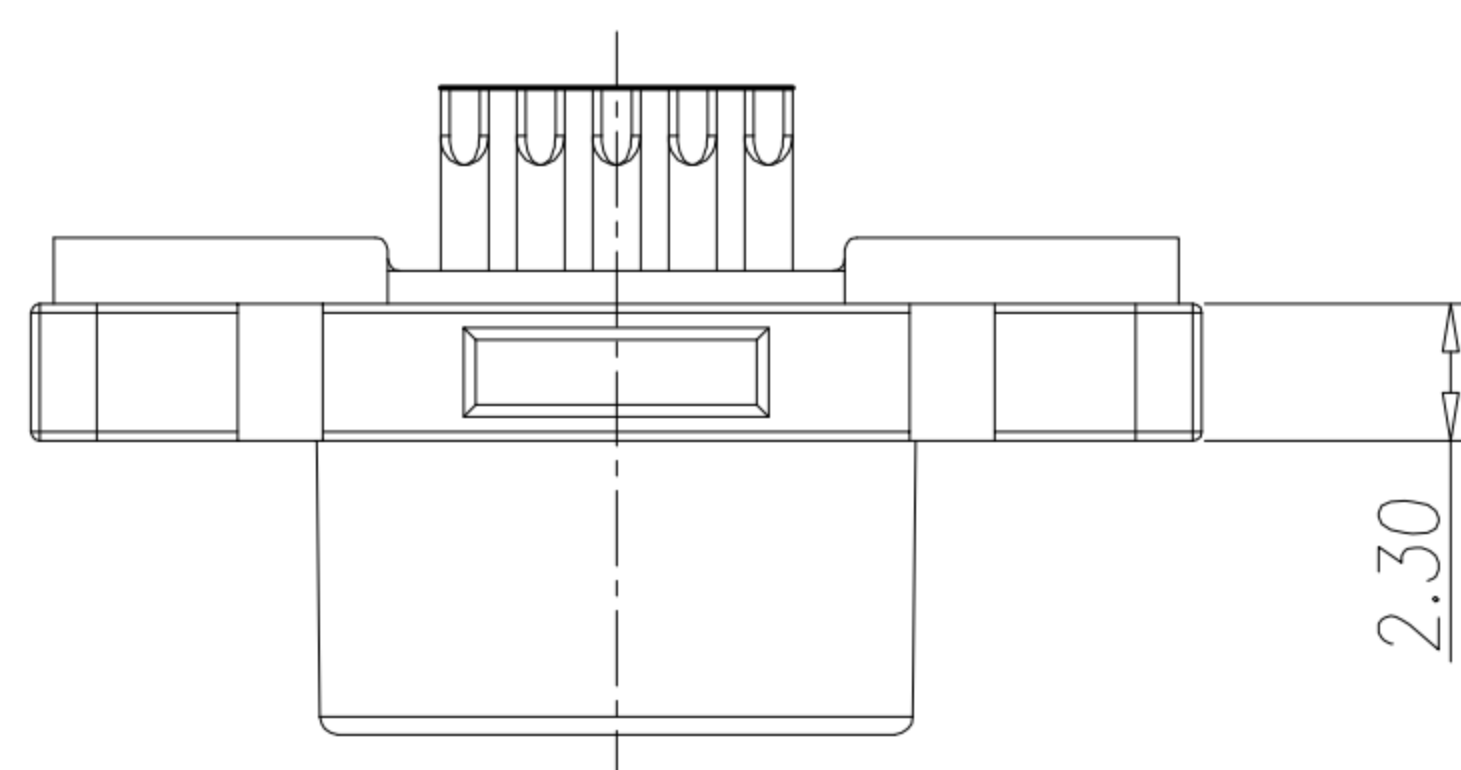
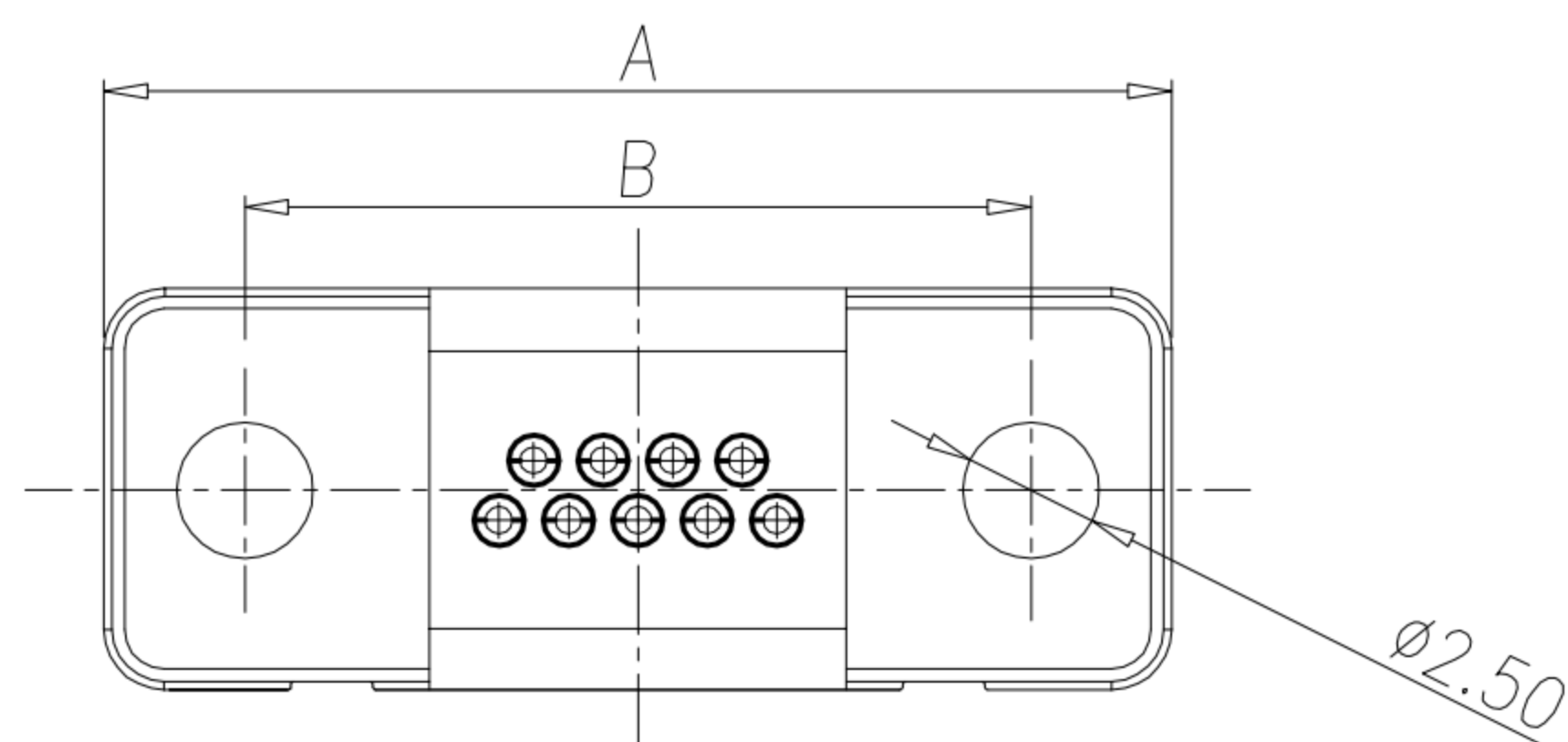


CUSTOMER DRAWING

REV.	DESCRIPTION	APPROVED BY	DATE	ECN NO.
△A	RELEASE&CHANGE P/N	Emily Suen	07/12/2011"	
△B	ADD PART NO.	yeh	03/04/2019"	
△C				

TABLE A △

P/N	NUMBER OF PINS	A	B	C	D	E
DB-09M2-12-11	9	19.55	14.35	5.08	3.81	8.90
DB-15M2-11-11	15	23.36	18.20	8.89	7.62	12.60
DB-25M2-09-11	25	29.70	24.55	15.24	13.97	19.20



- MATERIAL :**
 - 1-1. HOUSING : PBT UL94V-0 ; COLOR : BLACK
 - 1-2. CONTACT : BRASS
 - 1-3. SHELL : Zn Alloy
- FINISH :**
 - 2-1. CONTACT : GOLD 15u" ON OVER ALL
 - 2-2. SHELL : NICKEL PLATED 60u" ~ 100u" OVER ALL
- ELECTRICAL SPECIFICATION :**
 - 3-1. Rated current : 1A at 25°C/77°F, 0.7A at 70°C/158°F
 - 3-2. Voltage : 350Vac
- Environmental :**
 - 4-1. Operation Temperature : -40°C~+125°C

DRAWN	Yeh Chou	APP'D	Ku Chou	UNIT	mm	TOLERANCE		广东科斯达电子科技有限公司 GUANG DONG KE SI DA ELECTRONIC TECHNOLOGY CO., LTD.	TITLE	MICRO D-SUB MALE 9P-25P(焊線式)			SHEET	1/1
CHK'D	Emily Suen			SCALE	1:1	.x ±0.20 .xx ±0.15 .xxx ±0.10 .xxxx ±0.05 ANGULA ±1°			PART NO.	TABLE A	DWG NO.	QC8905	VERSION	B