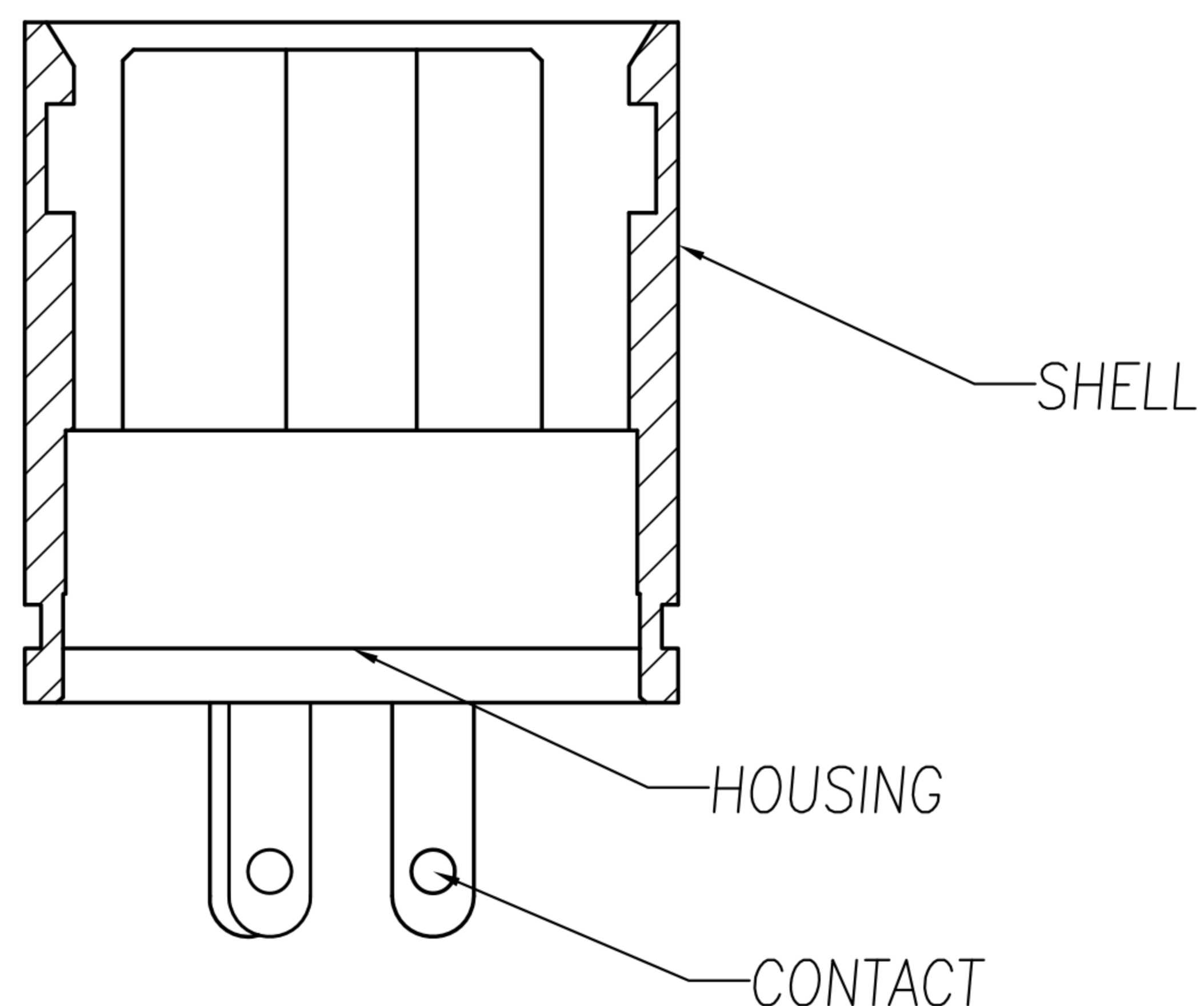
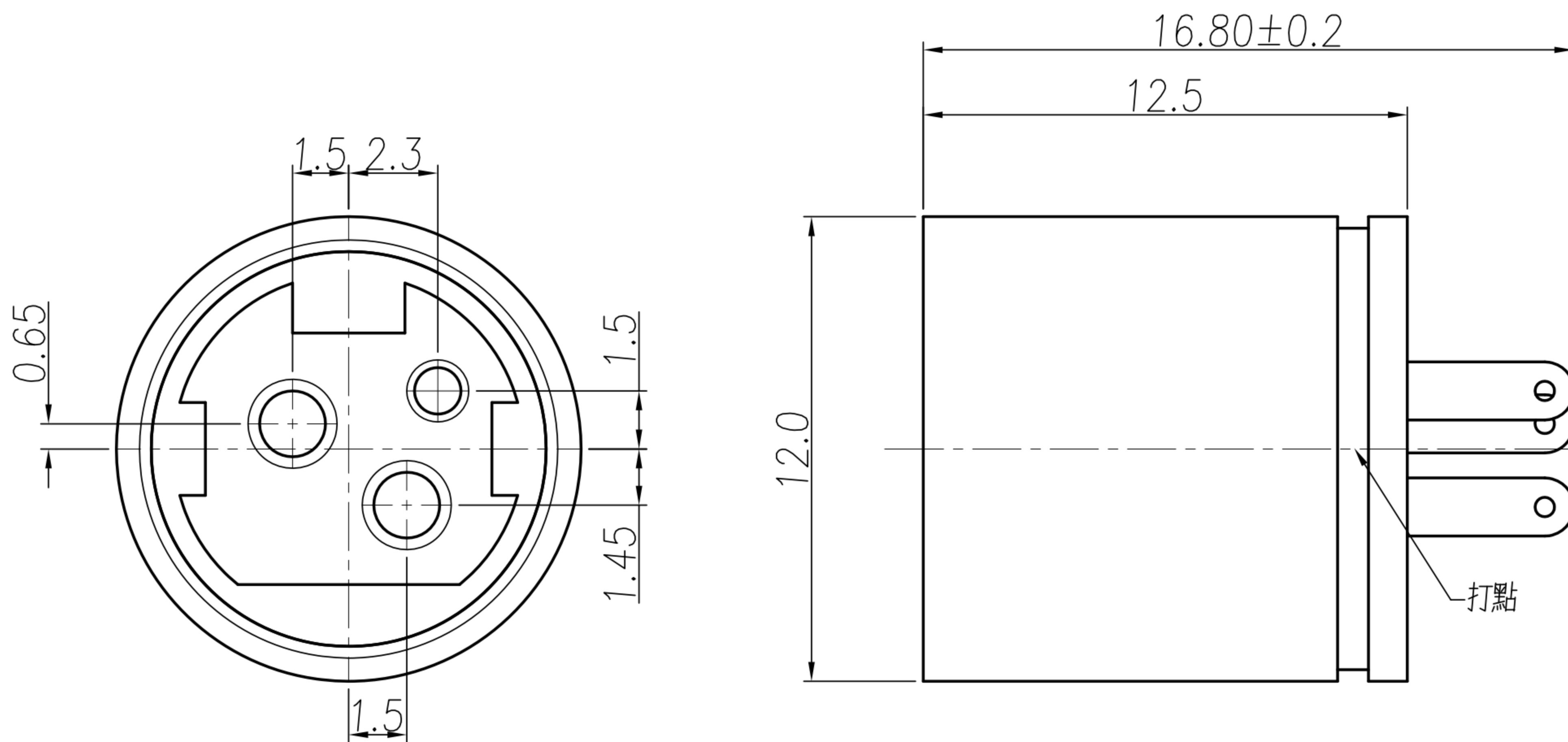


CUSTOMER DRAWING

REV.	DESCRIPTION	APPVL. BY	DATE	ECN NO.
A	RELEASE	Fido Weng	13/04/09	
B				
C				



NOTE:

- MATERIAL:
 - 1-1. HOUSING : PBT UL94V-0 ; COLOR : BLACK
 - 1-2. CONTACT : PHOSPHOR BRONZE
 - 1-3. SHELL : BRASS
- PLATING:
 - 2-1. CONTACT : TIN PLATED 60u" OVER NICKEL
 - 2-2. SHELL : NICKEL PLATED 60u" ~ 100u" OVER ALL
- ELETRICAL SPECICATION :
 - 3-1. RATED CURRENT : 7.5A/DC MAX
 - 3-2. RATED VOLTAGE : 25V/DC MAX
- ENVIRONMENTAL :
 - 4-1. OPERATION TEMPERATURE : -20 ℃~85℃

DRAW	Mark Kao	APPVL	Ku Chou	UNIT	mm	TOLERANCE		广东科斯达电子科技有限公司 GUANG DONG KE SI DA ELECTRONIC TECHNOLOGY CO., LTD.	TITLE	POWER DIN 3PIN (F) LOCK			SHEET
CHECK	Emily Suen			SCALE	1:1	.x ±0.20 .xx ±0.15 .xxx ±0.10 .xxxx ±0.05 ANGULA ±1°			PART NO.	PD-03F1-02	DWG NO.	QC1814	VERSION