

# CUSTOMER DRAWING

REV.	DESCRIPTION	APPROVED BY	DATE	ECN NO.
△C	ADD NEW P/N IN TABLE A	Fido Weng	04/10/07'	
△D	MODIFY DIM.	Fido Weng	04/12/08'	ECN08022
△E	修改尺寸	Emily Suen	30/08/12'	

## 步驟一:

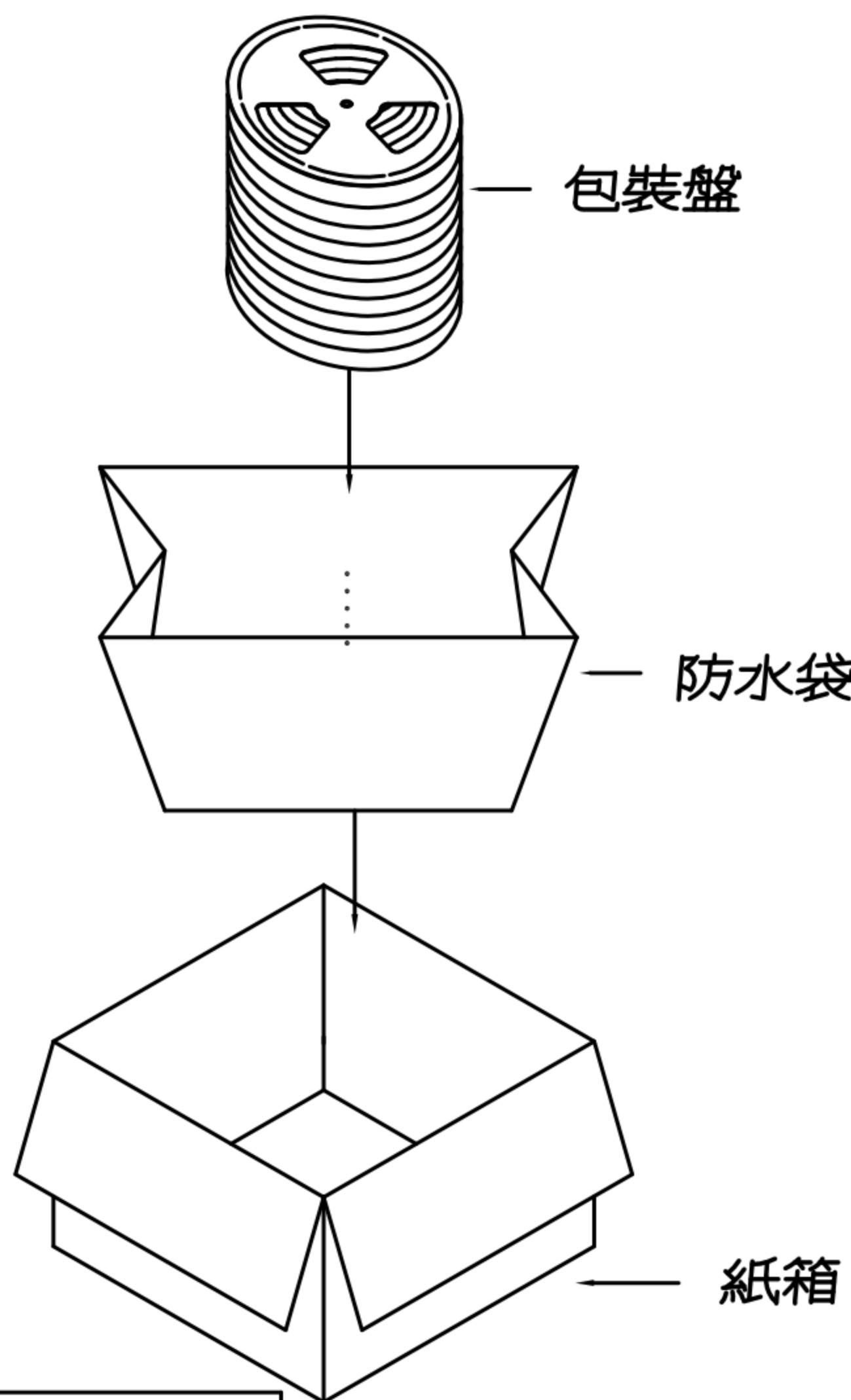
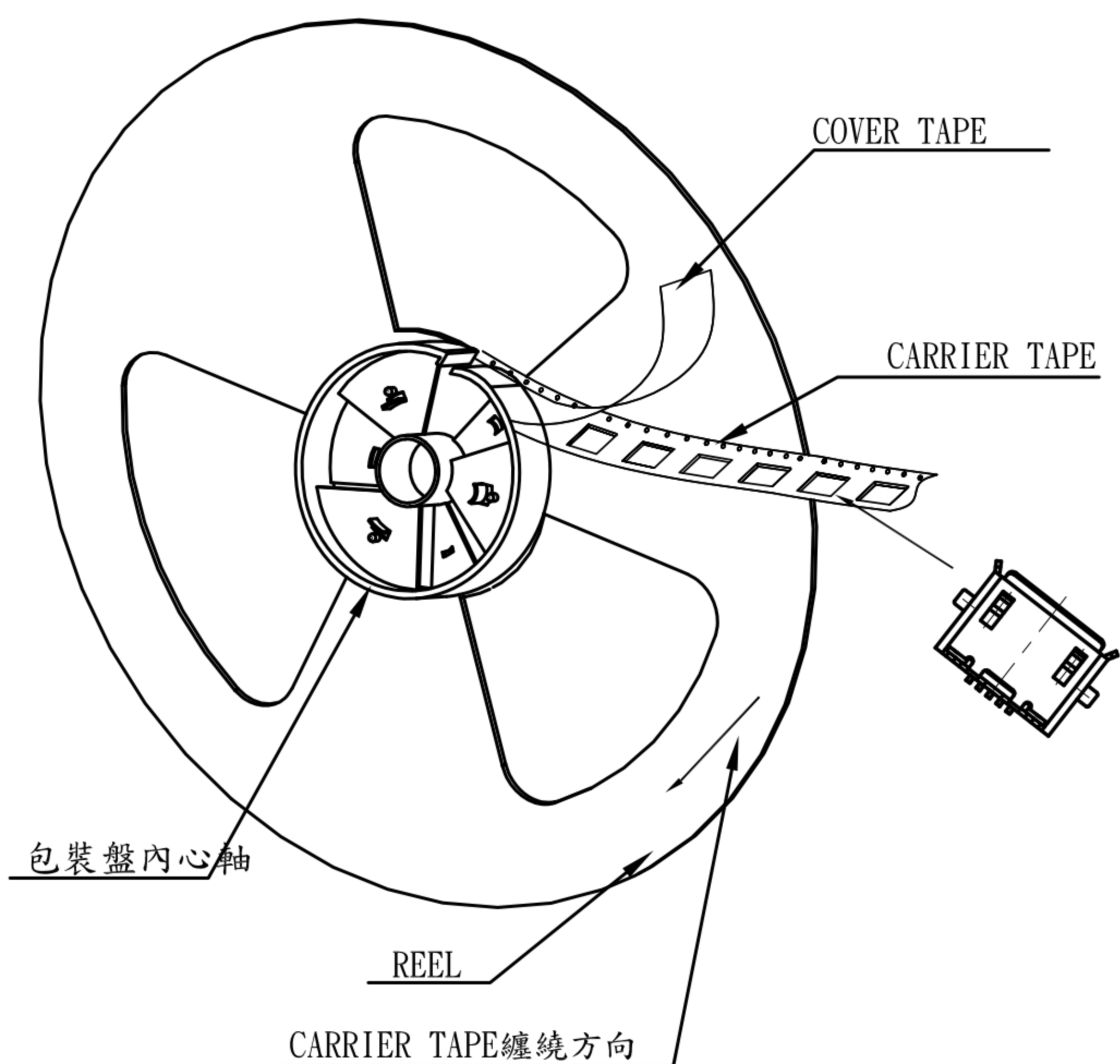
1. 將成品一一放入包裝盤內, 依同一方向置入.
2. 包裝方式, 如圖所示.
3. 一個包裝盤內放 1500 pcs.

## 步驟二:

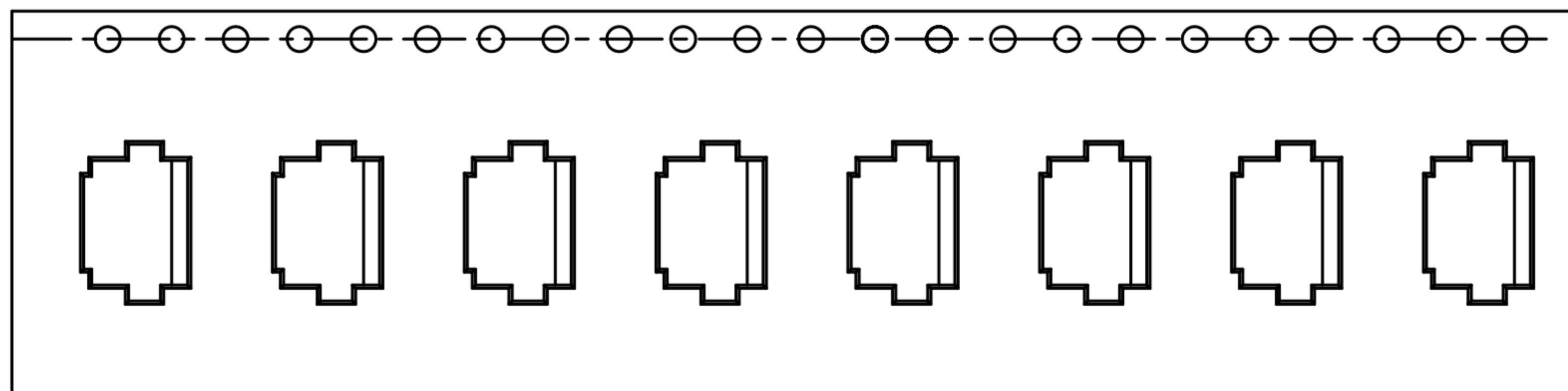
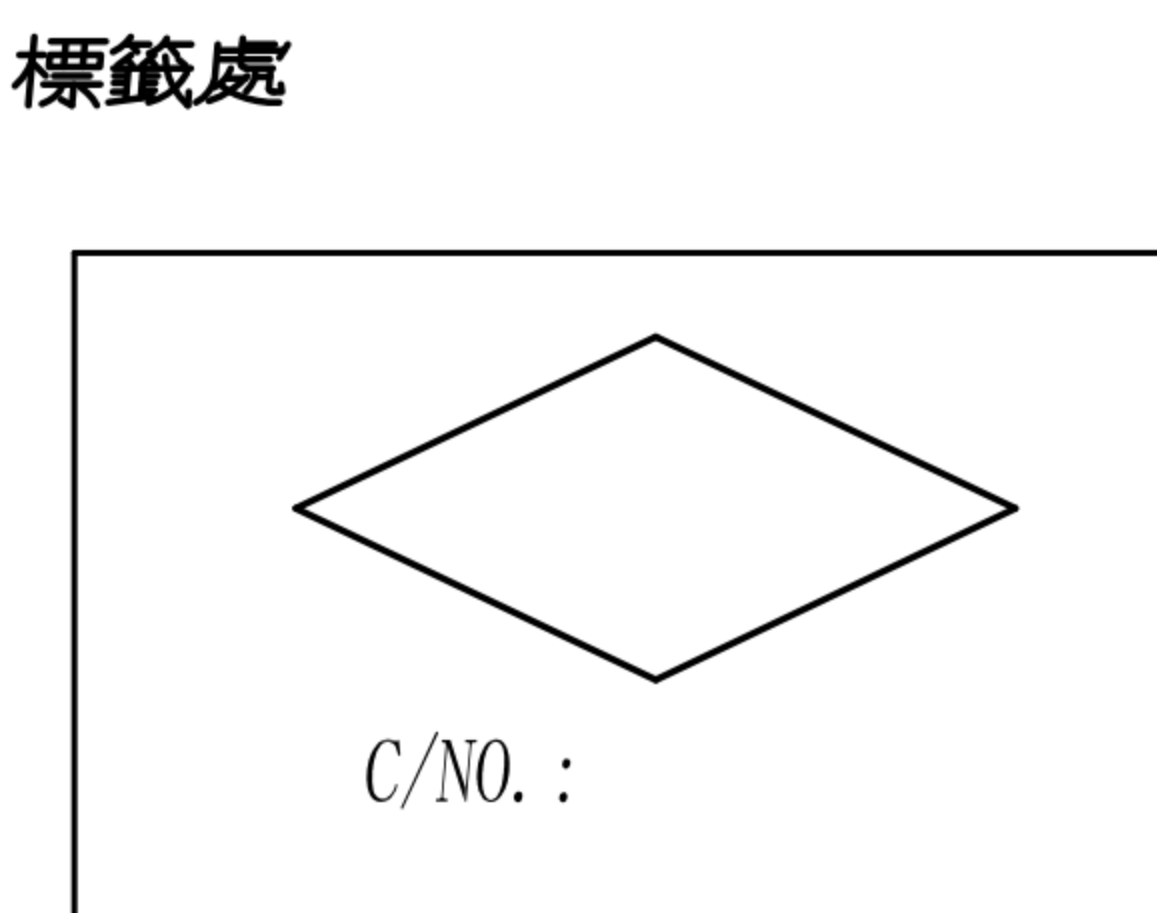
1. 一個紙箱可以裝 10 個包裝盤.
2. 每盤 1500 pcs, 每箱 15000 pcs.
3. 將包裝盤放入防水袋中, 包裝完後再封箱.

## 步驟三:

1. 用膠帶將紙箱封實.
2. 將標籤貼於紙箱上.



ITEM NO:	
QTY:	PGS
N. W.:	KG
G. W.:	KG
MEAS:	



## NOTE:

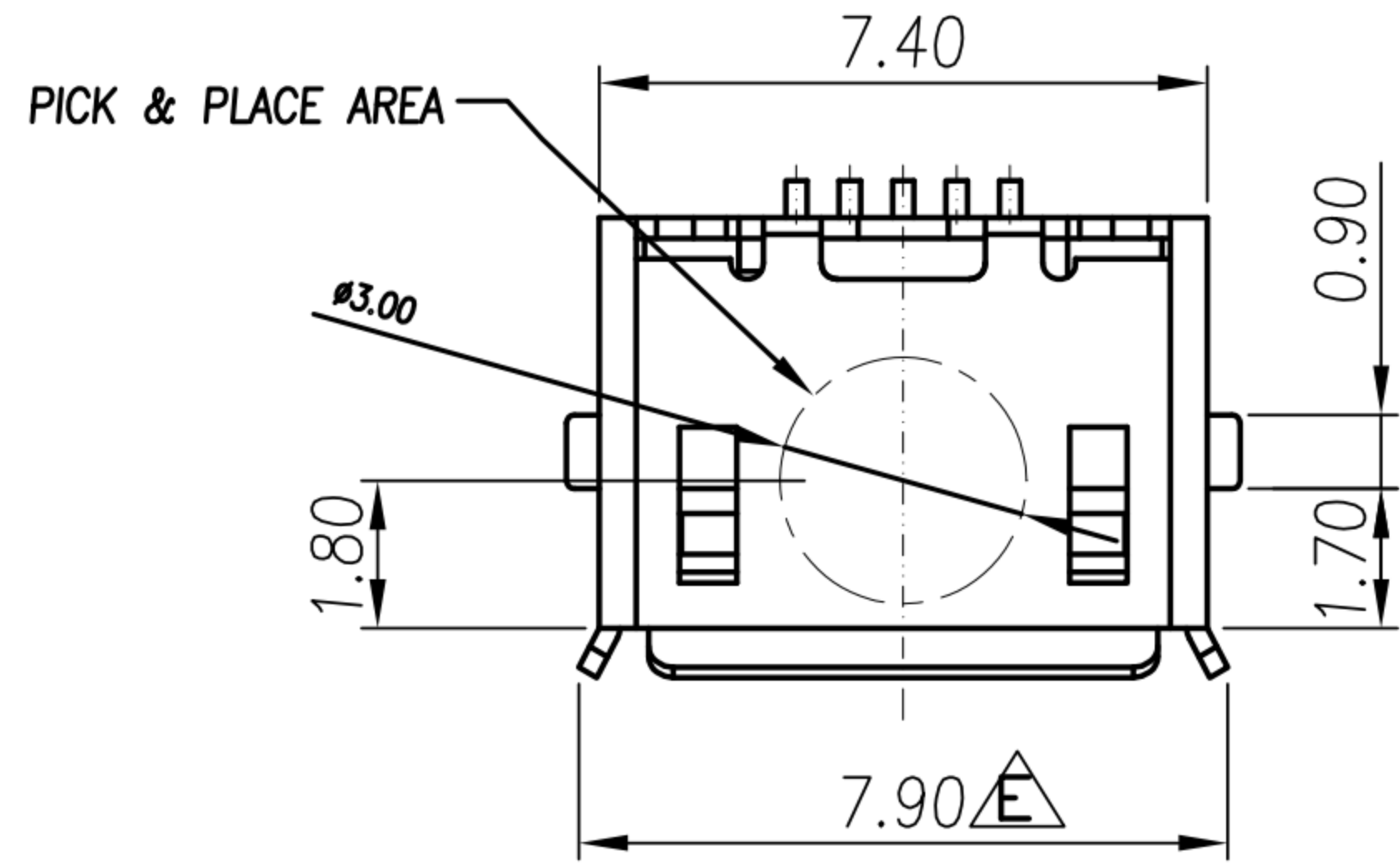
1. 若有未裝滿之零數箱, 必須以緩衝材塞滿.
2. 在搬運過程中要輕拿輕放.
3. 載運輸中不可堆放過多, 不可有重壓現象.
4. 在裝滿產品後, 必須空留帶前和帶後 15 格以上, 然後用紙膠布貼上.
5. 上帶在貼下帶時必須平整, 且黏貼處不要出現氣泡.

DRAWN	Jen Xie	APP'D	Fido Weng	UNIT	mm	TOLERANCE			TITLE	MICRO USB 5PIN (F) B TYPE加定位柱			SHEET	2
CHK'D	Emily Suen			SCALE	1:1	.x ±0.10 .xx ±0.05 .xxx ±0.03 .xxx ±0.01 ANGULA ±1°			PART NO.	SEE TABLE A	DWG NO.	QC3039	VERSION	E

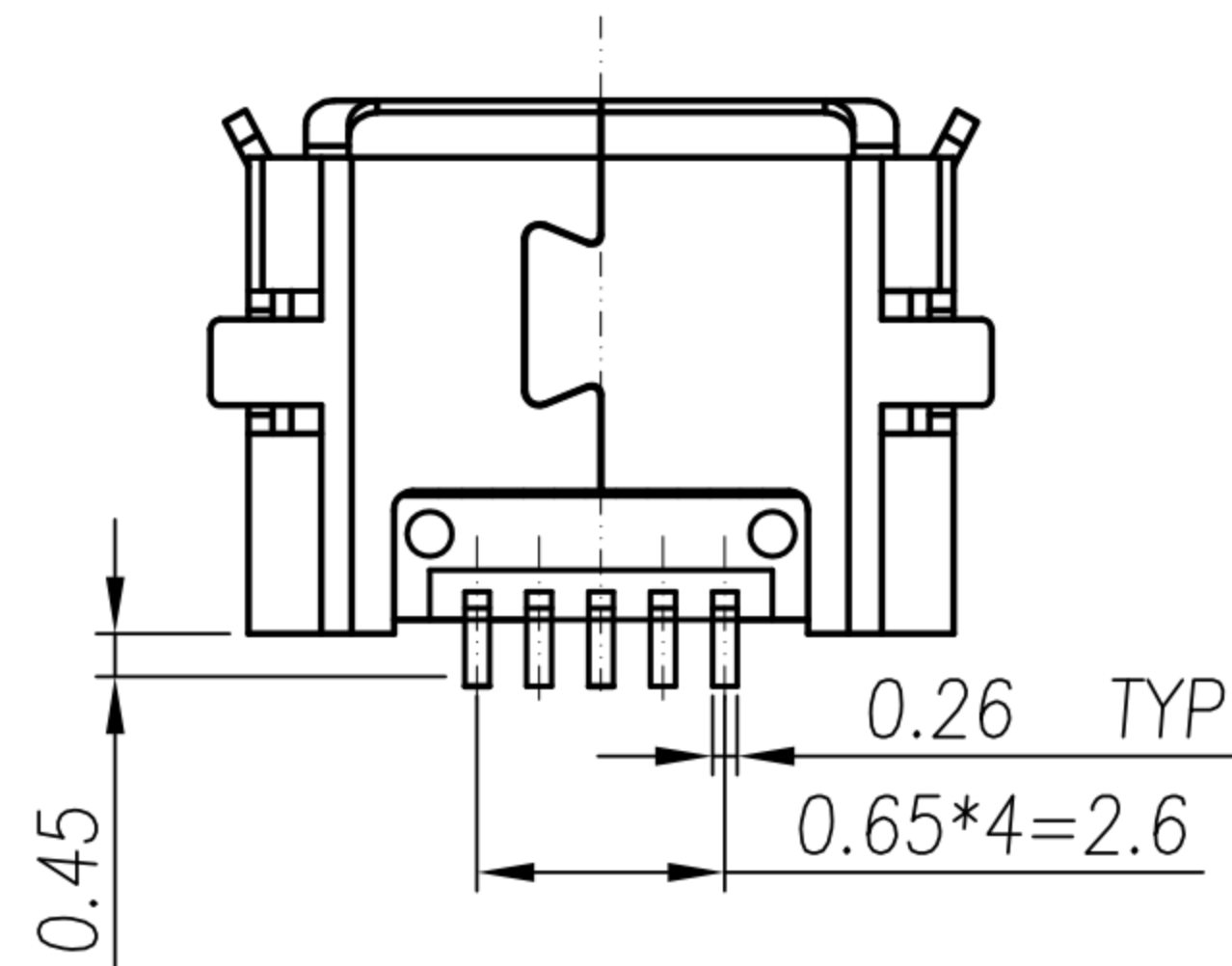
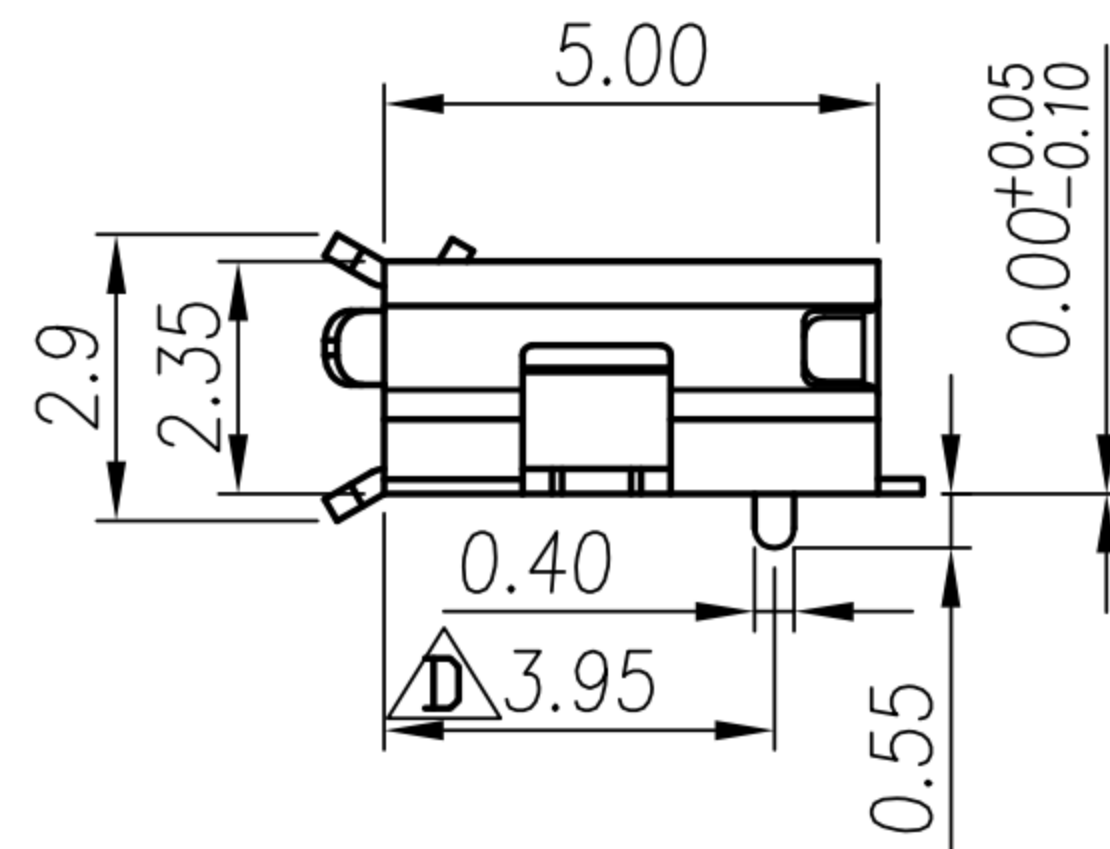
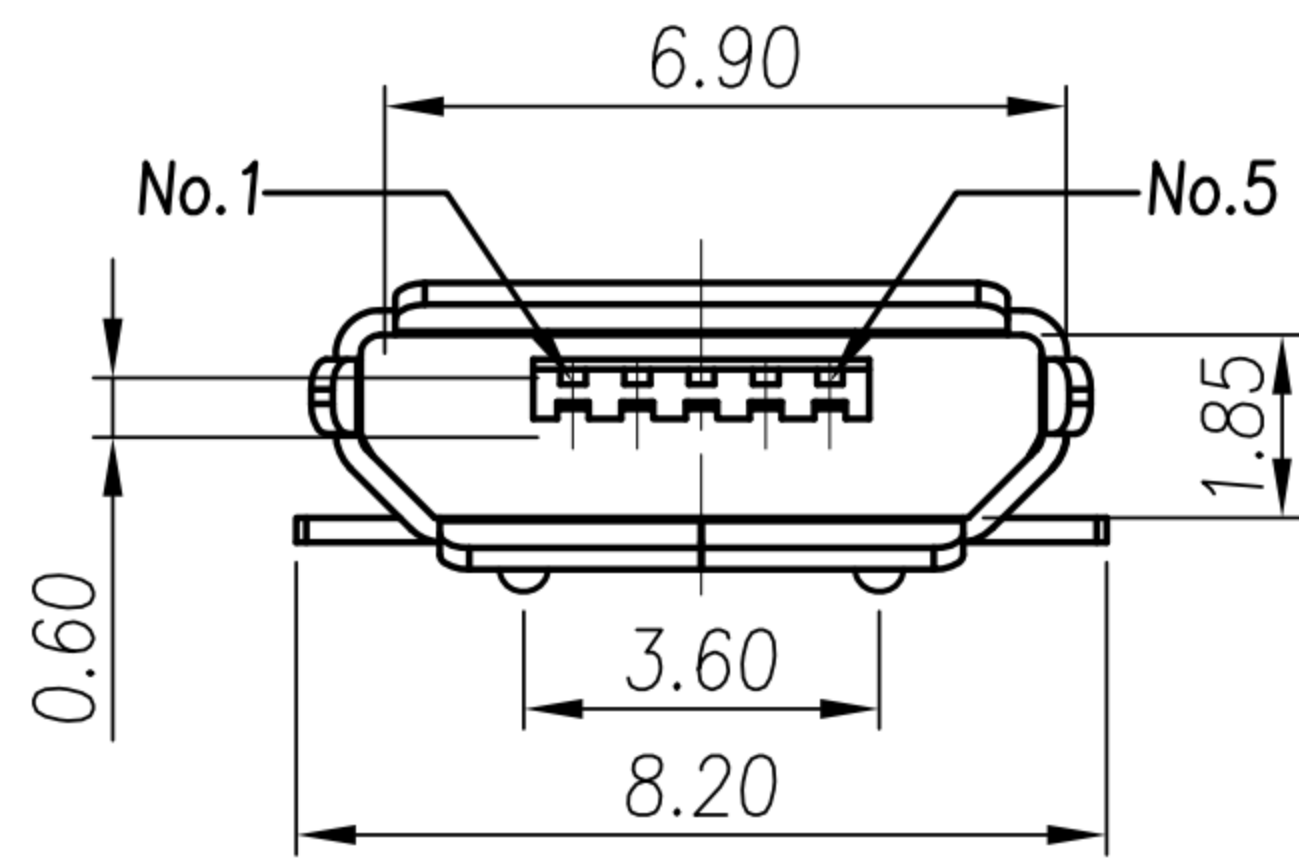
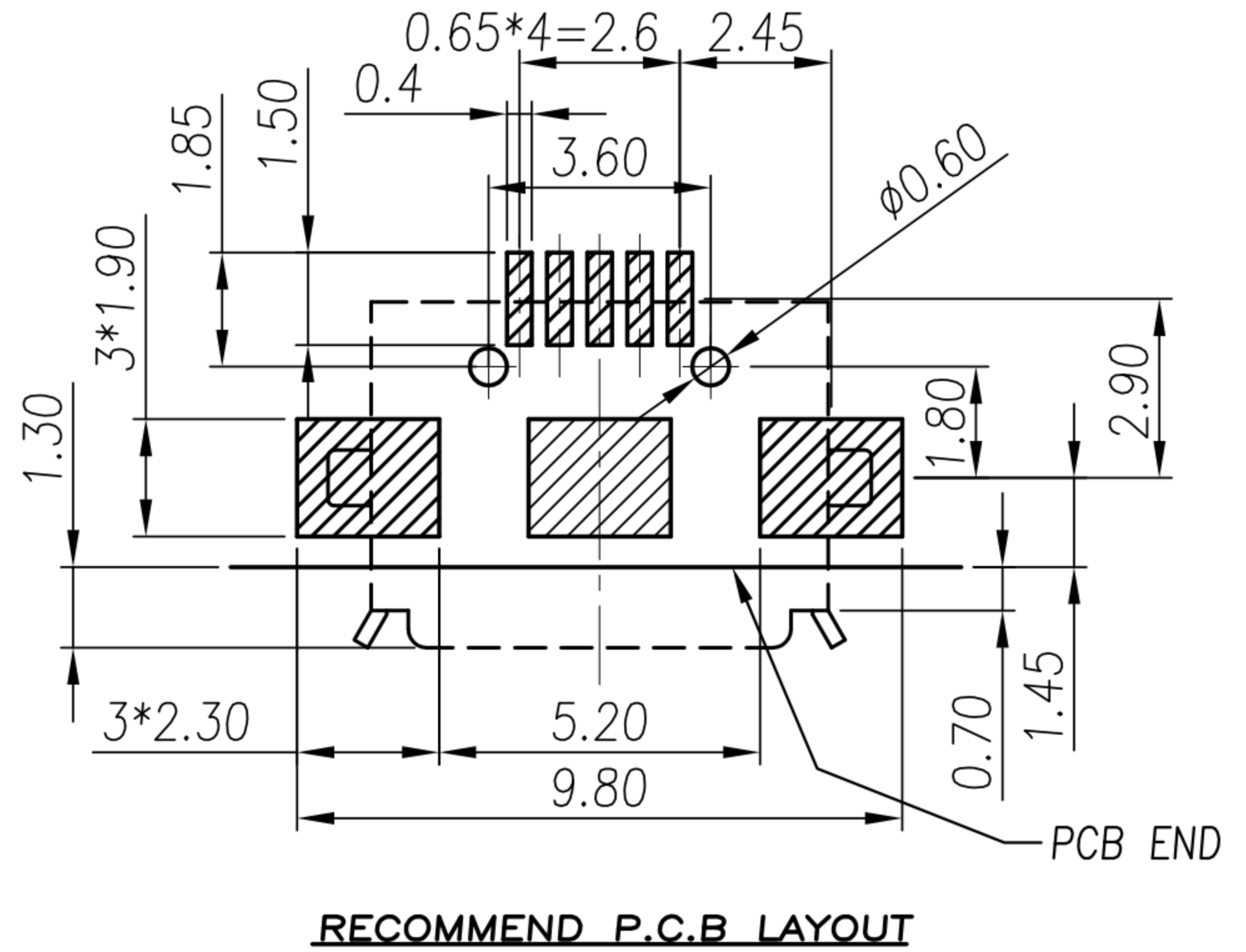
广东科斯达电子科技有限公司  
GUANG DONG KE SI DA ELECTRONIC TECHNOLOGY CO., LTD.

# CUSTOMER DRAWING

REV.	DESCRIPTION	APPROVED BY	DATE	ECN NO.
△C	ADD NEW P/N IN TABLE A	Fido Weng	04/10/07'	
△D	MODIFY DIM.	Fido Weng	04/12/08'	ECN08022
△E	修改尺寸	Emily Suen	30/08/12'	



- MATERIAL :
  - 1-1. HOUSING : LCP UL94V-0 ; COLOR : BLACK
  - 1-2. CONTACT : PHOSPHOR BRONZE.
  - 1-3. SHELL : STAINLESS STEEL
- FINISH :
  - 2-1. CONTACT : SEE TABLE A
  - 2-2. SHELL : SEE TABLE A



△B TABLE A

MU-05F4-70	GOLD FLASH/ MATTE TIN 60u''
MU-05F4-30	GOLD 15u'' / MATTE TIN 60u''
MU-05F4-31	GOLD 10u'' / MATTE TIN 60u''
P/N	PLATED

DRAWN	Jen Xie	APP'D	Fido Weng	UNIT	mm	TOLERANCE		TITLE	MICRO USB 5PIN (F) B TYPE加定位柱			SHEET	
CHK'D	Emily Suen			SCALE	1:1	.x ±0.10 .xx ±0.05 .xxx ±0.03 .xxxx ±0.01 ANGULA ±1°			PART NO.	SEE TABLE A	DWG NO.	QC3039	
									广东科斯达电子科技有限公司				VERSION
									GUANG DONG KE SI DA ELECTRONIC TECHNOLOGY CO., LTD.				E