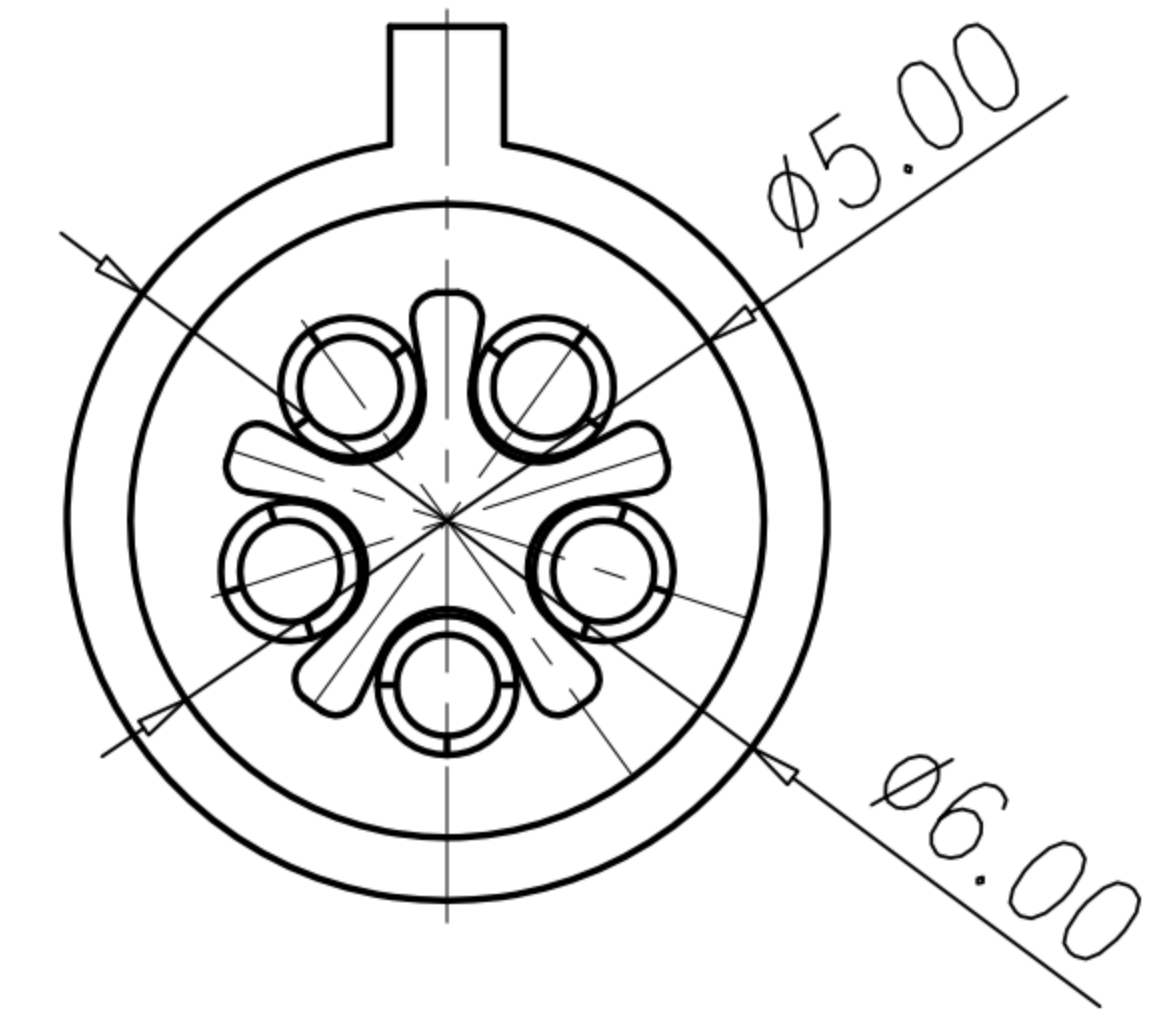
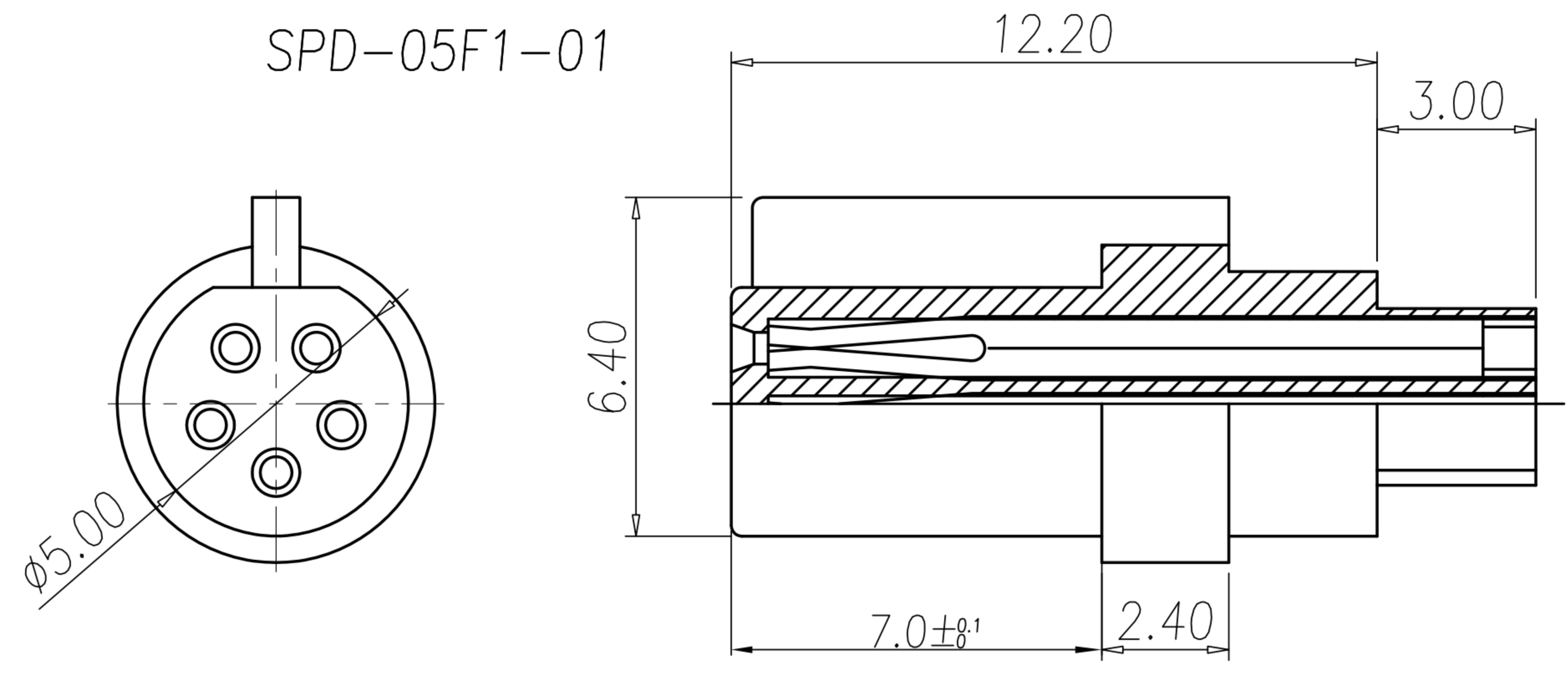


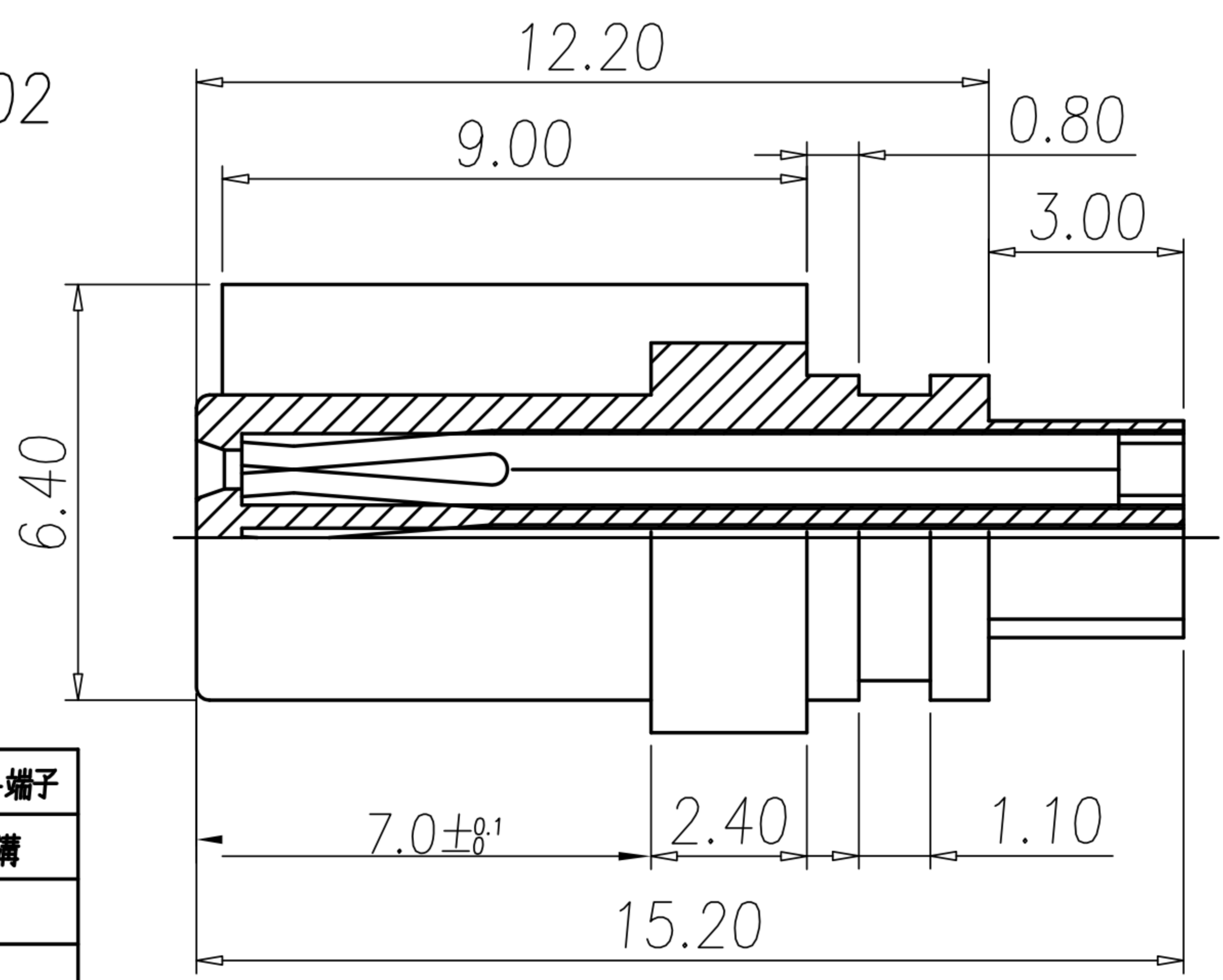
CUSTOMER DRAWING

| REV. | DESCRIPTION | APPROVED BY | DATE | ECN NO. |
|------|-------------|-------------|-----------|---------|
| A | RELEASE | Fido Weng | 17/01/12' | |
| B | | | | |
| C | | | | |

SPD-05F1-01



SPD-05F1-02



- MATERIAL :
 - 1-1. HOUSING : PBT UL94V-0 ; COLOR : BLACK
 - 1-2. CONTACT : PHOSPHOR BRONZE.
- FINISH :
 - 2-1. CONTACT : SILVE PLATED.

TABLE A

| P/N | DESCRIPTION |
|-------------|-------------------|
| SPD-05F1-03 | 特5(F)重拉力長膠芯(溝)+端子 |
| SPD-05F1-02 | 特5(F)長膠芯+PIN(銀)溝 |
| SPD-05F1-01 | 特5(F)長膠芯+PIN(銀) |