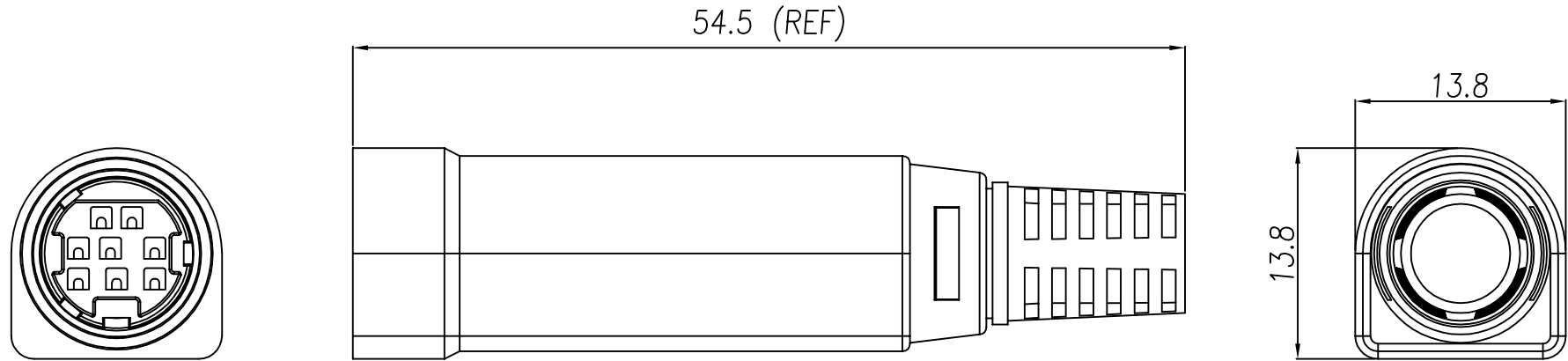


CUSTOMER DRAWING

REV.	DESCRIPTION	APPVL. BY	DATE	ECN NO.
A	RELEASE	Yeh Chou	19/06/20"	
B				
C				
D				



1. MATERIAL :
 - 1-1. HOUSING : PBT UL94V-0 ; COLOR : BLACK
 - 1-2. SHELL : BRASS
 - 1-3. BODY : ABS
 - 1-4. SR : PVC
2. FINISH :
 - 2-1. SHELL : NICKEL PLATED.
3. ELETRICAL SPECICATION :
 - 3-1. RATING CURRENT : 1A
 - 3-2. RATING VOLTAGE : 30V DC
4. ENVIRONMENTAL :
 - 4-1. OPERATION TEMPERATURE : -20℃~85℃

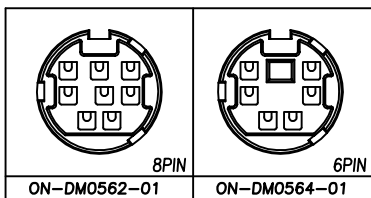
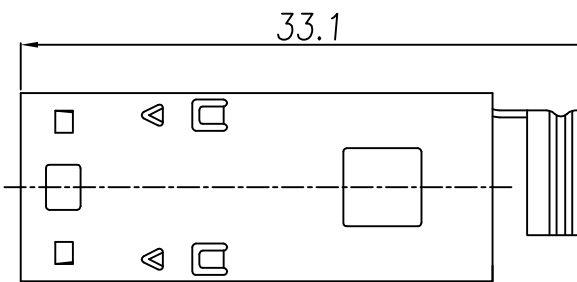
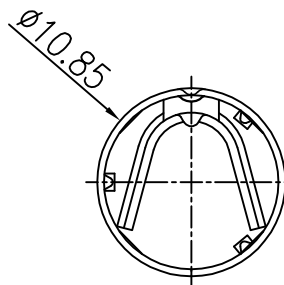
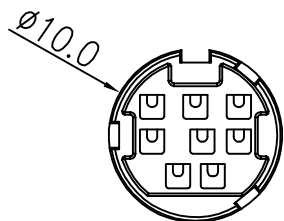
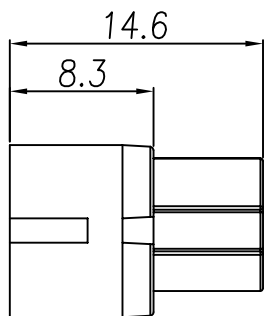
TABLE A

8PIN	6PIN
PD-08F2-06-01	PD-06F2-07-01

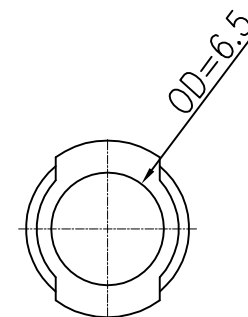
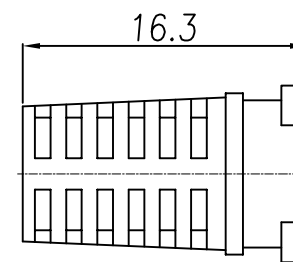
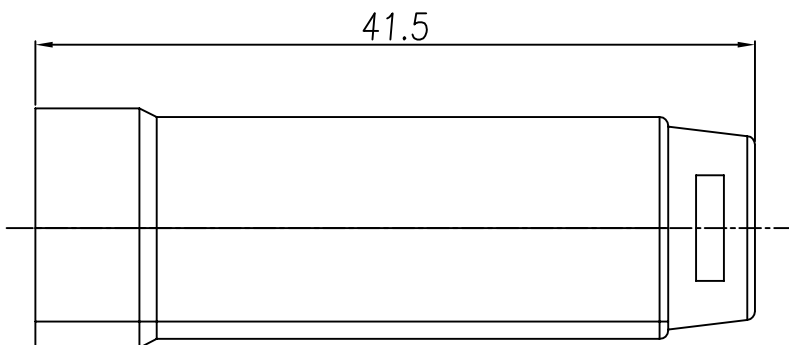
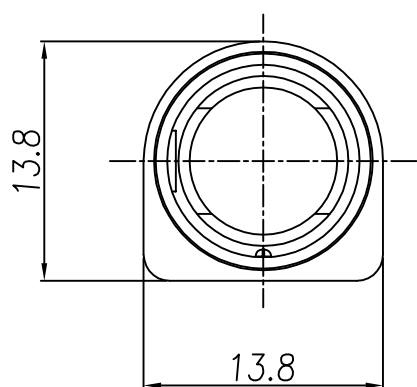
DRAW	Ku Chou	APPVL	Emily Suen	UNIT	mm	TOLERANCE			TITLE	POWER DIN (F) 線插式 OD6.5(CRIMP TYPE)			SHEET
CHECK	Emily Suen			SCALE	1:1	.x ±0.20 .xx ±0.10 .xxx ±0.05 .xxxx ±0.01 ANGULA ±1°			PART NO.	PD-08F2-06-01	DWG NO.	QC9800	VERSION

CUSTOMER DRAWING

REV.	DESCRIPTION	APPVL. BY	DATE	ECN NO.
A	Release	Fideo Weng	19/06/20"	
B				
C				
D				



OY-DM0810-00



ON-DM0531-01

ON-DM0018

DRAW	Ku Chou	APPVL	Emily Suen	UNIT	mm	TOLERANCE			广东科斯达电子科技有限公司 GUANG DONG KE SI DA ELECTRONIC TECHNOLOGY CO., LTD.	TITLE	POWER DIN (F) 線插式 OD6.5(CRIMP TYPE)			SHEET	2
CHECK	Emily Suen			SCALE	1:1	.x ±0.20 .xx ±0.10 .xxx ±0.05 .xxxx ±0.01 ANGULA ±1°				PART NO.	PD-08F2-06-01	DWG NO.	QC9800	VERSION	A