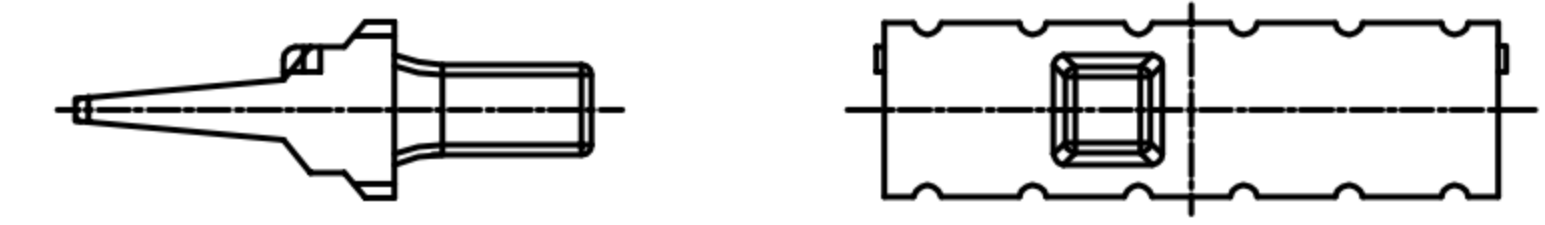
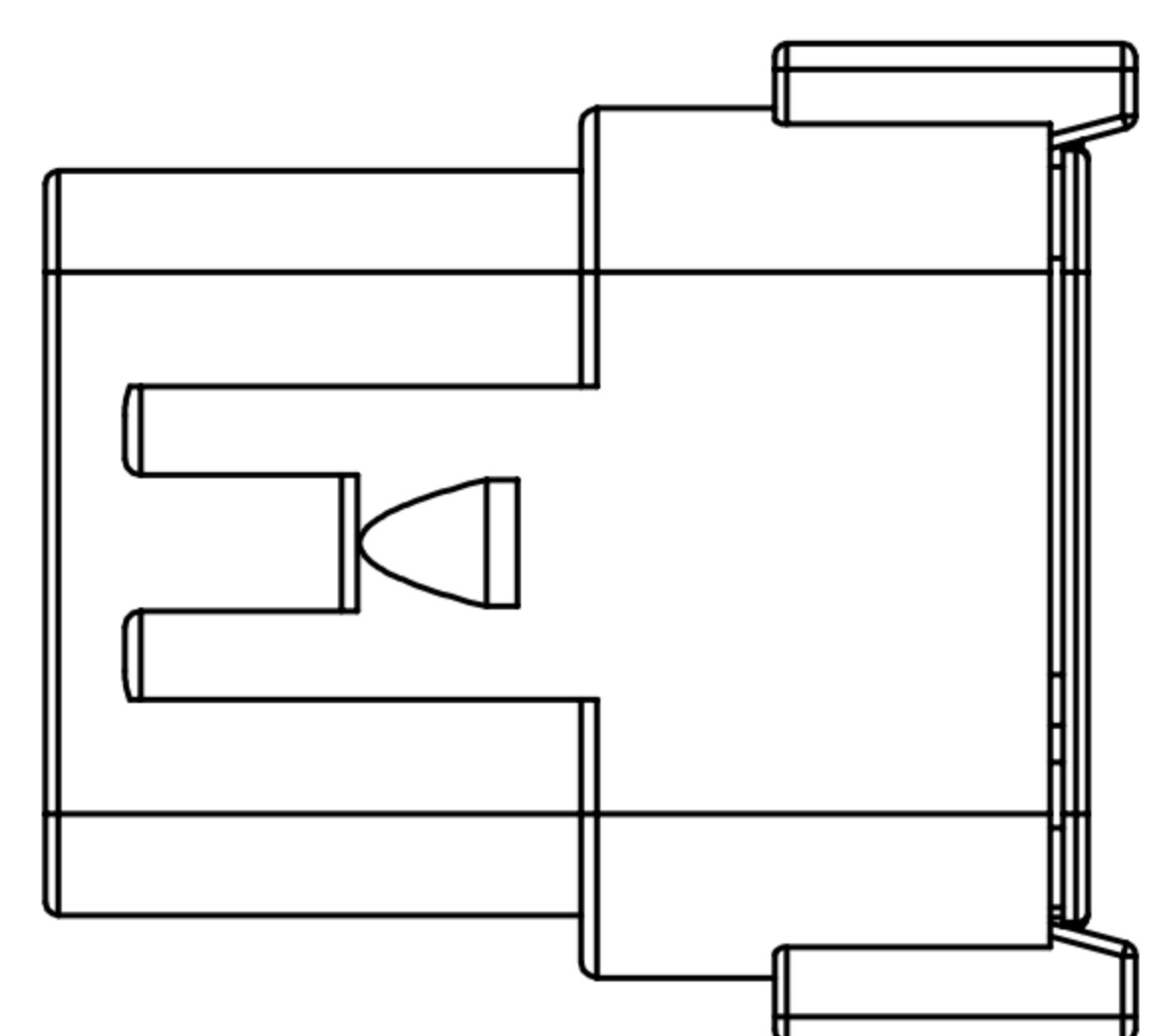
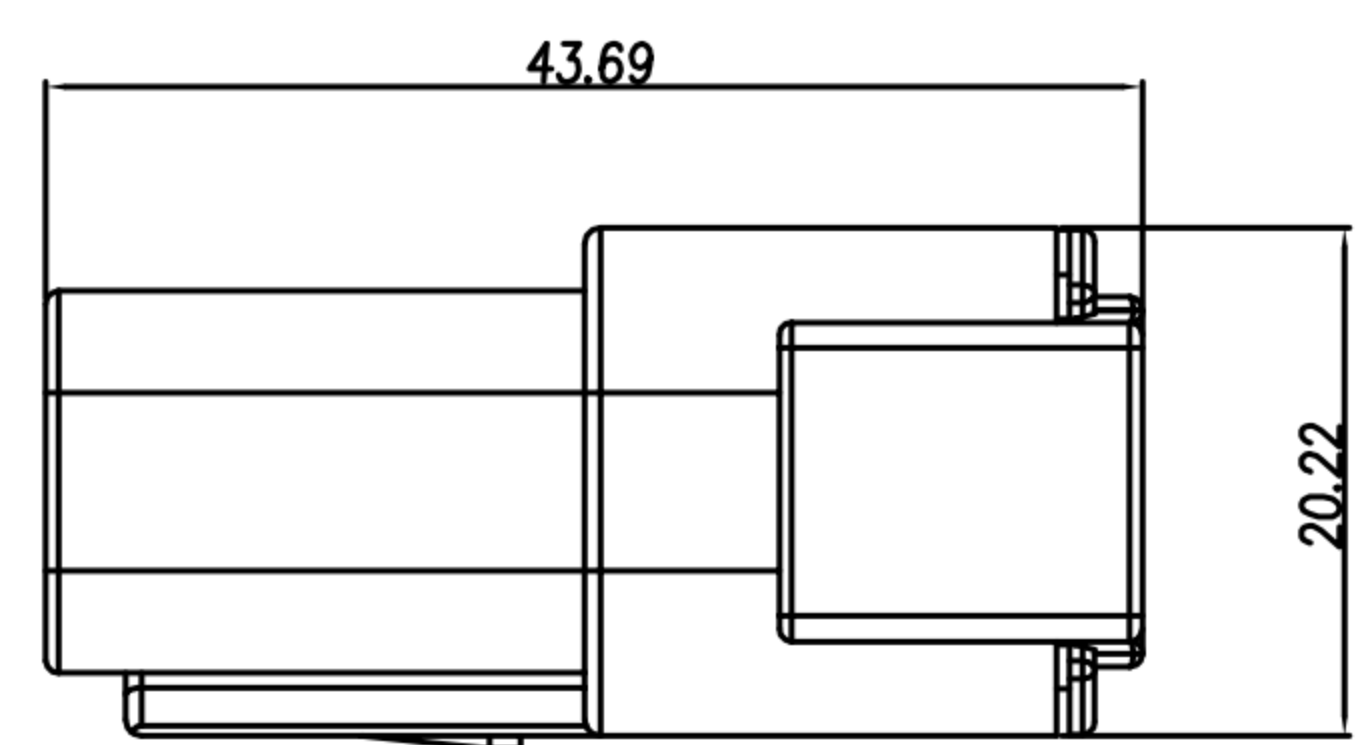
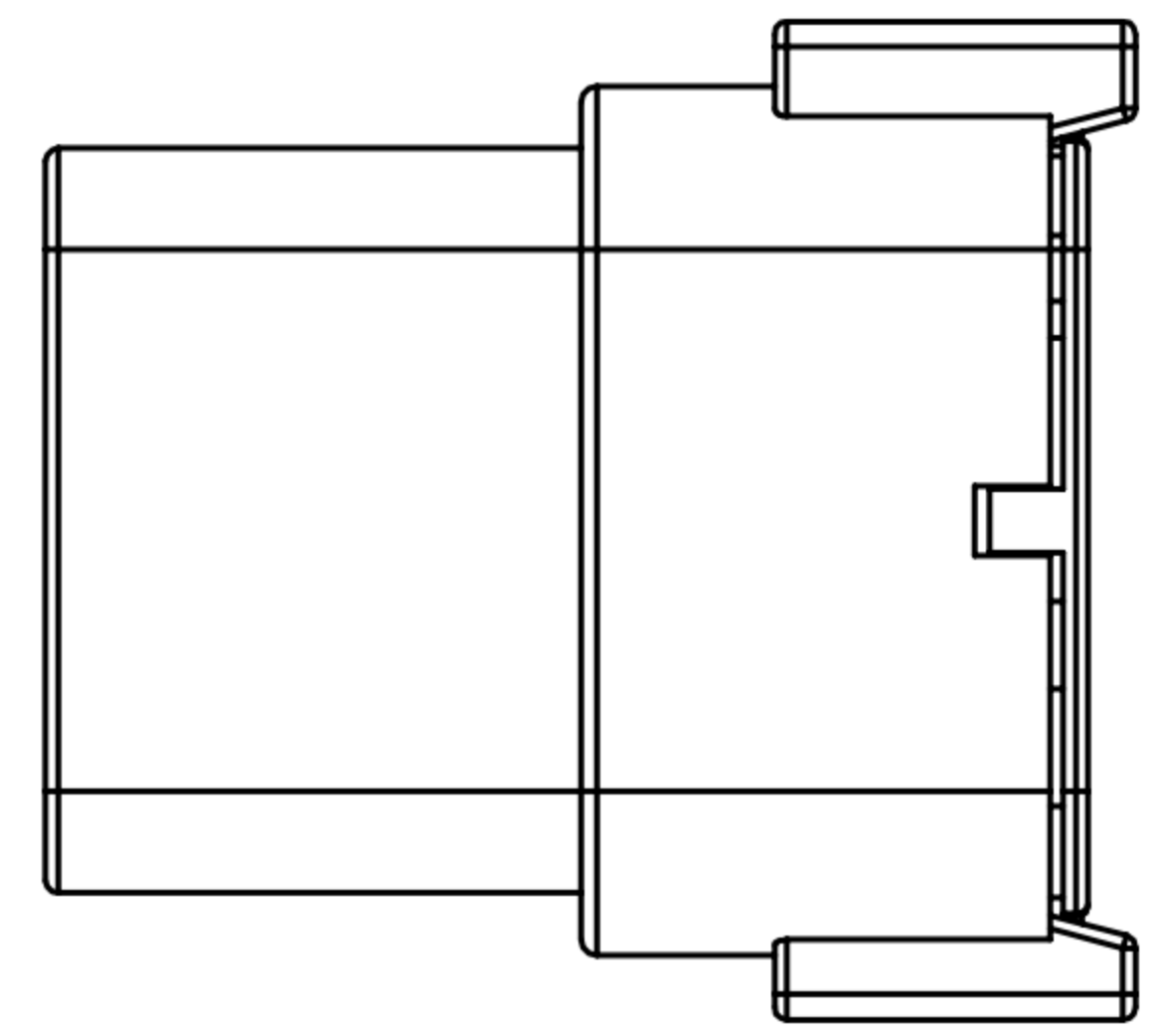
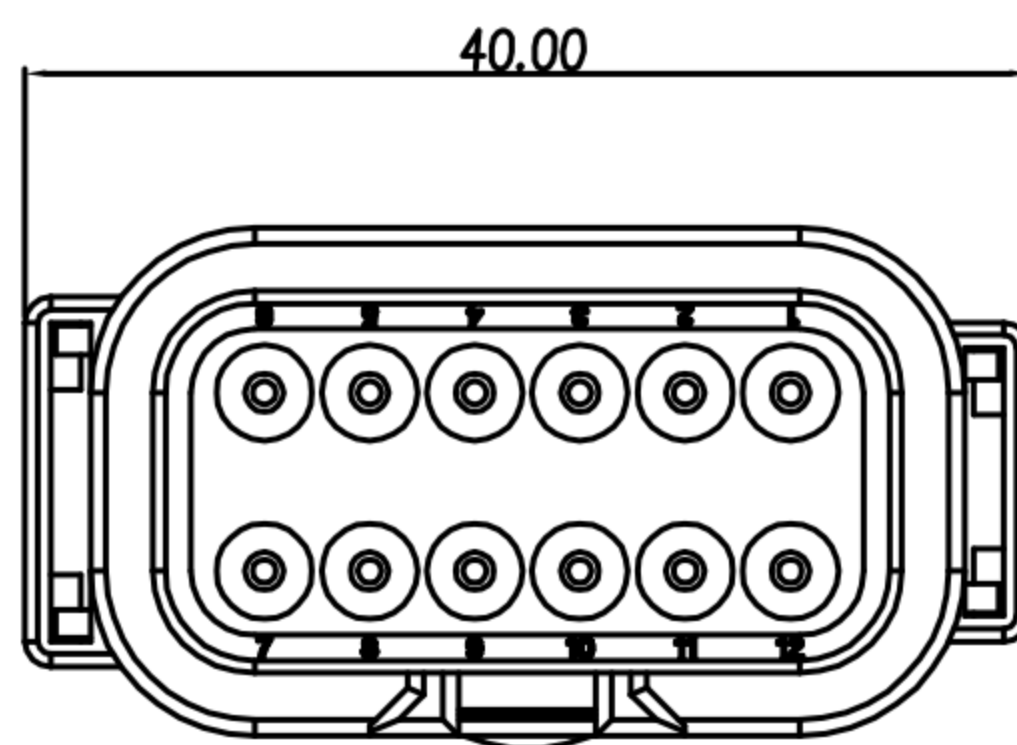
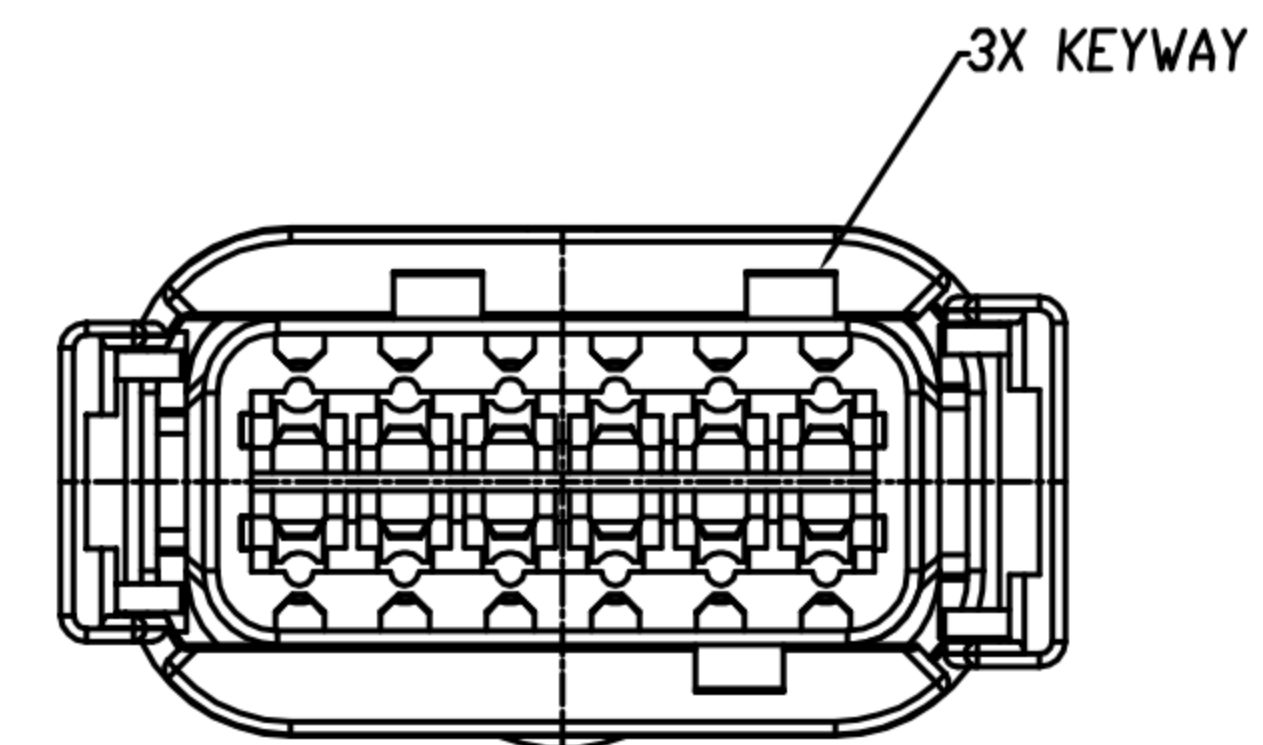


CUSTOMER DRAWING

REV.	DESCRIPTION	APPROVED BY	DATE	ECN NO.
△A	RELEASE	Yeh Chou	2018/04/02	
△B				
△C				
△D				



Wedglock

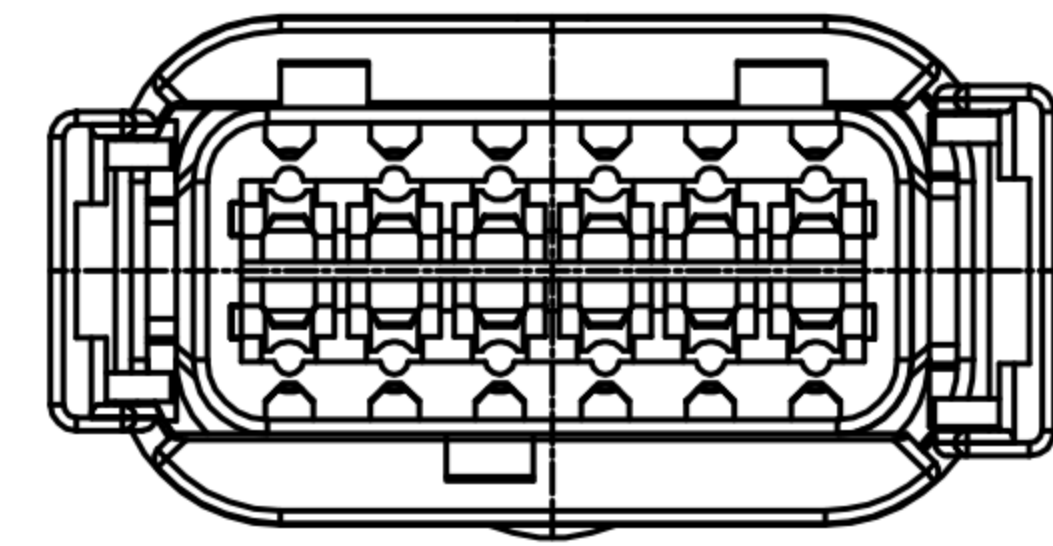
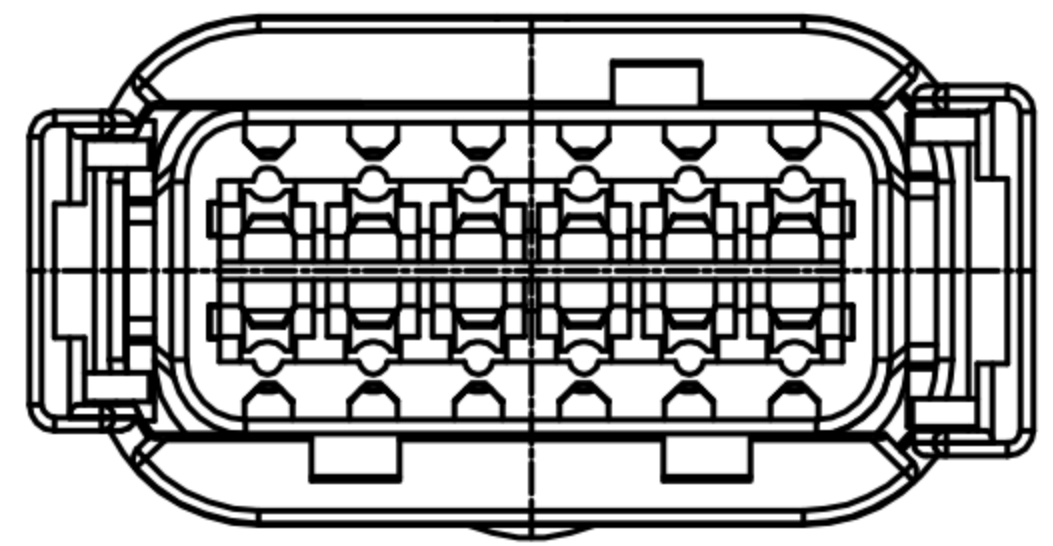
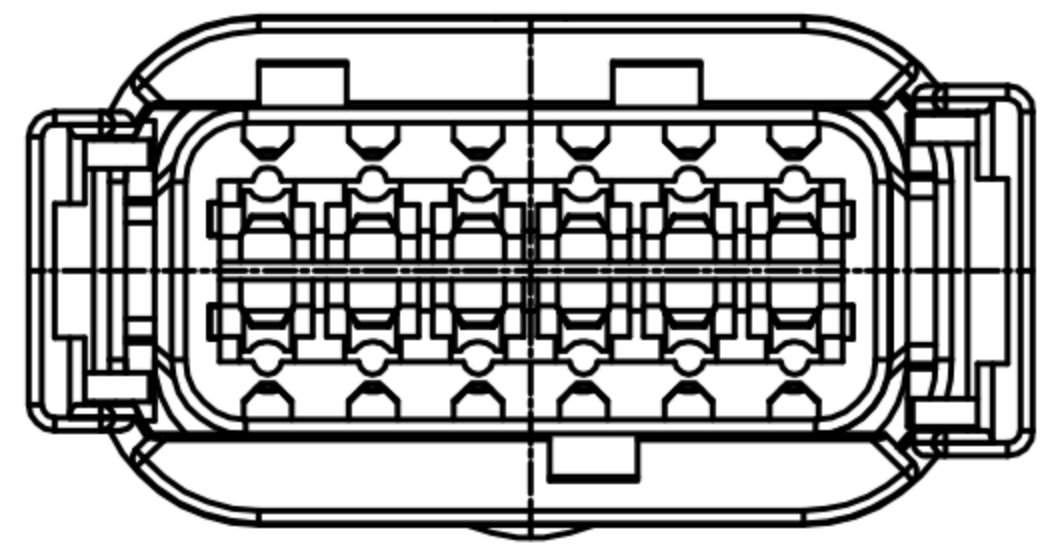
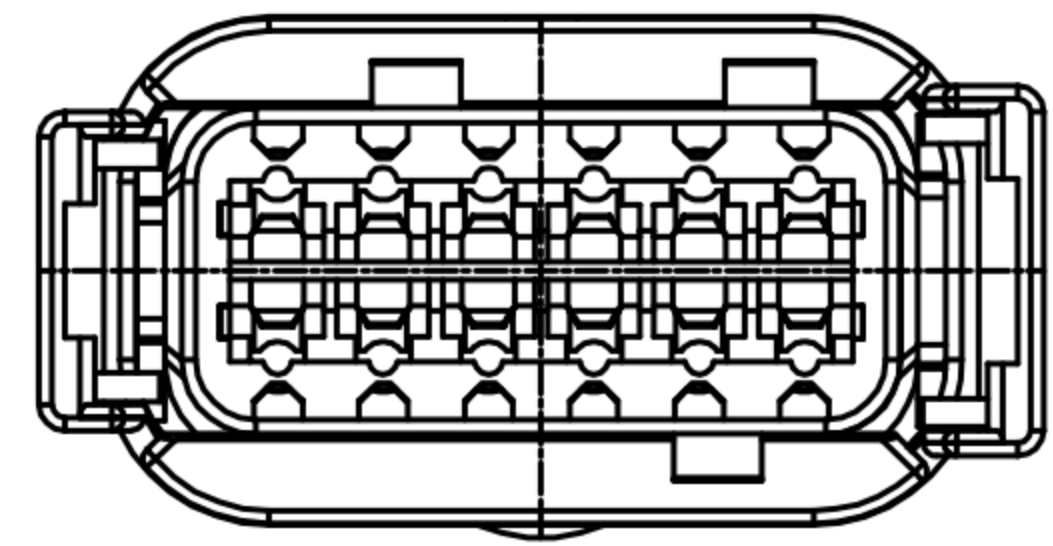
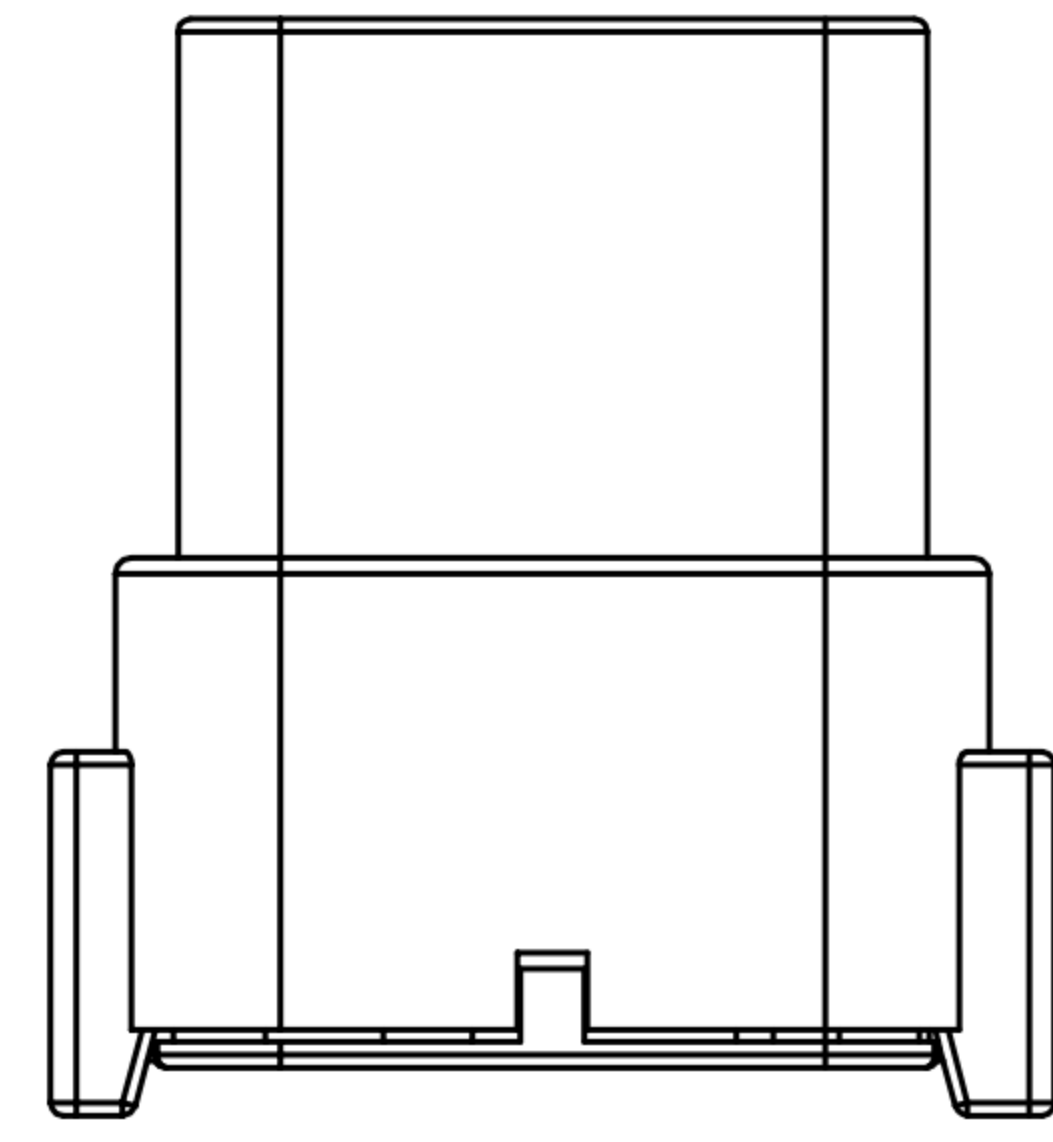
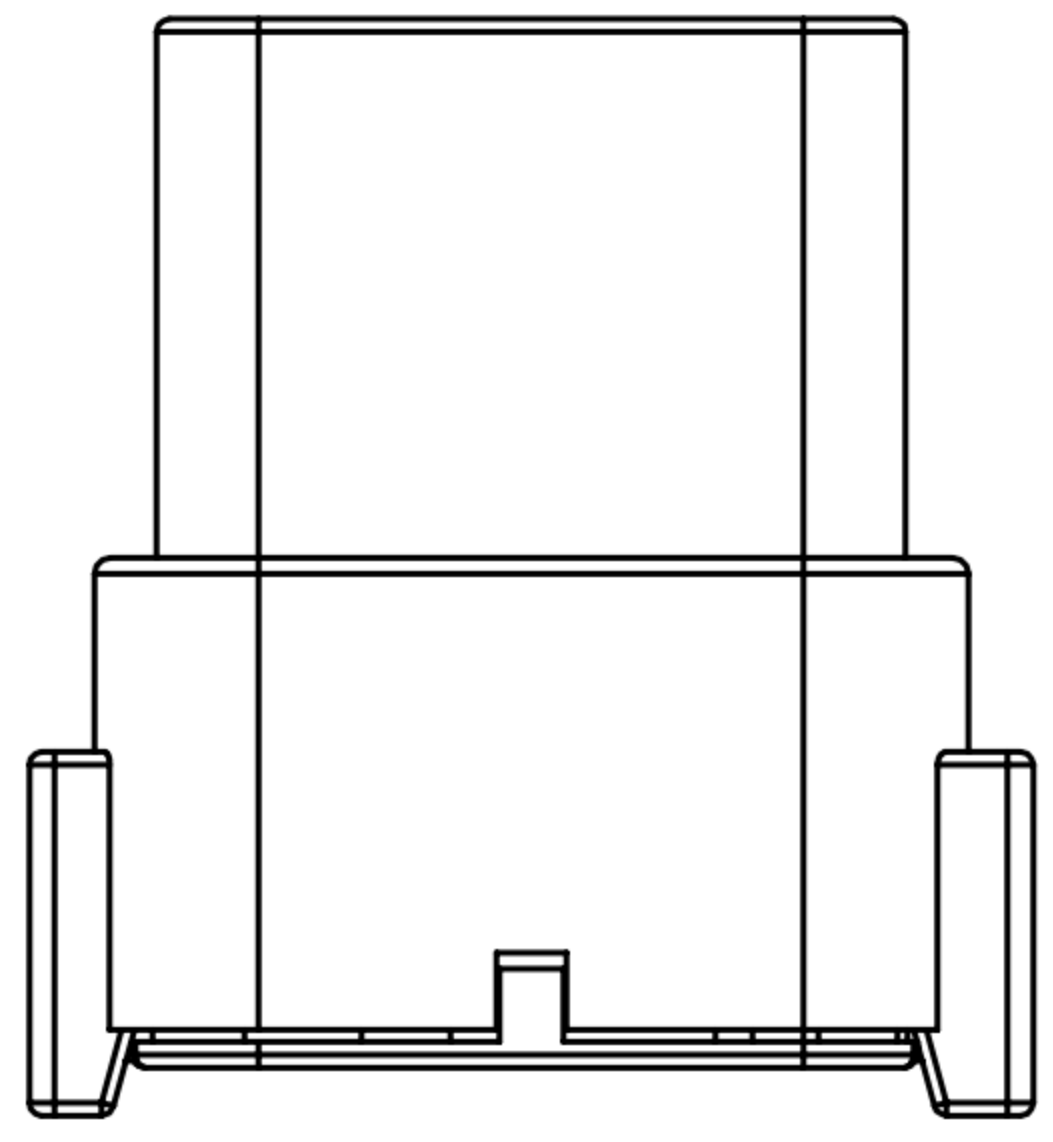
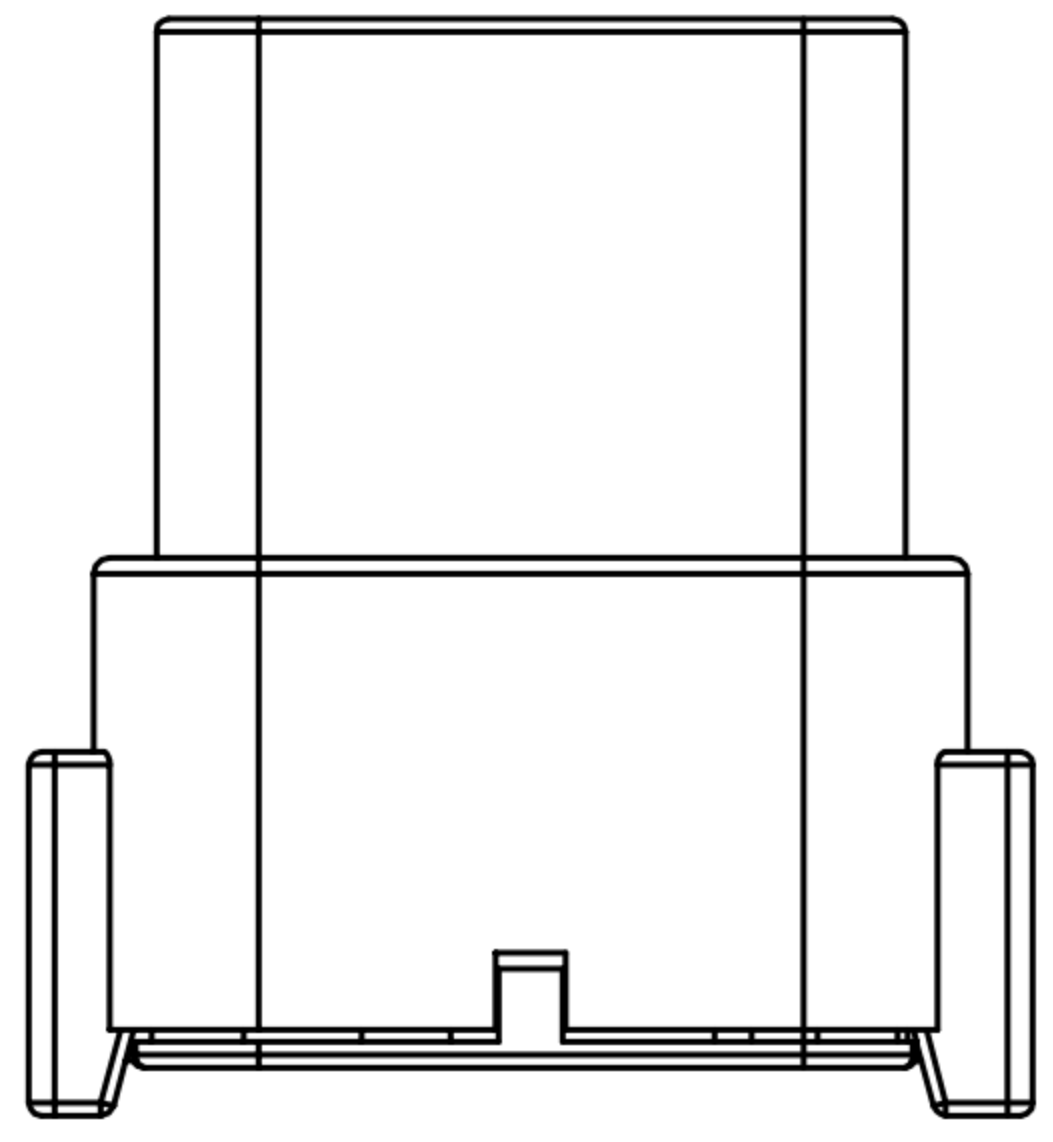
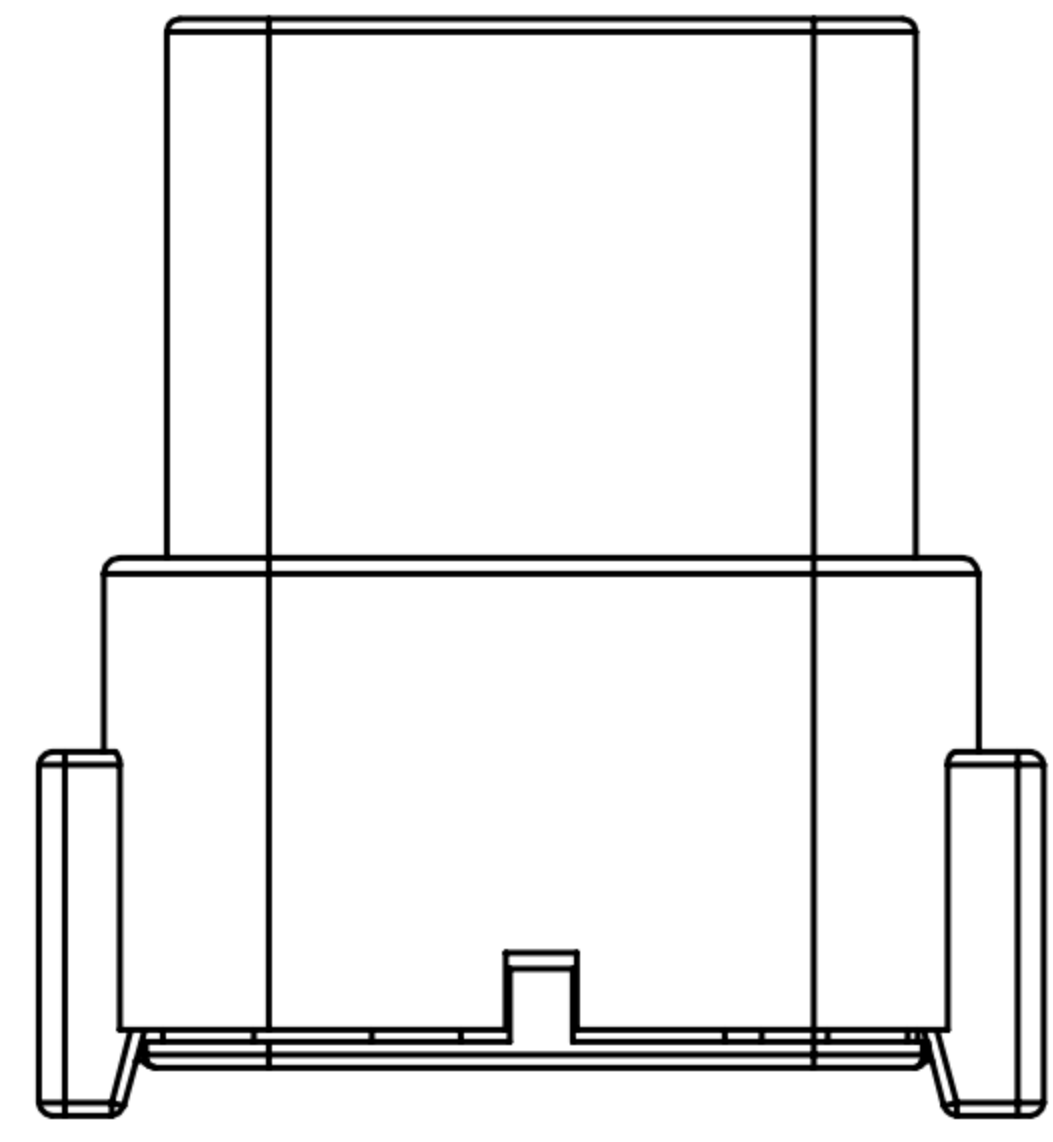


1. MATERIAL :
 - 1-1. INSULATOR : PA66
 - 1-2. COVER : PA66
 - 1-3. GASKET : SILICONE ; COLOR : ORANGE
 - 1-4. RUBBER : SILICONE ; COLOR : ORANGE
2. ELECTRICAL SPECIFICATION :
 - 2-1. Rated current : 7.5A
 - 2-2. Rated Voltage : 250V
 - 2-3. Water proof : IP67
3. Environmental :
 - 3-1. Operation Temperature : -40°~105°

DRAWN	Yeh Chou	APPVL	Emily Suen	UNIT	mm	TOLERANCE .x ±0.20 .xx ±0.10 .xxx ±0.05 .xxxx ±0.03 ANGULA ±1°		广东科斯达电子科技有限公司 GUANG DONG KE SI DA ELECTRONIC TECHNOLOGY CO., LTD.	TITLE	WP 12P SIZE 20 DTM04-12P SERIES			SHEET	1
CHK'D	Emily Suen			SCALE	1:1				PART NO.	SEE TABLE A	DWG NO.	QC8708	VERSION	A

CUSTOMER DRAWING

REV.	DESCRIPTION	APPROVED BY	DATE	ECN NO.
△A	RELEASE	Yeh Chou	2018/04/02	
△B				
△C				
△D				



KEY A
 COLOR: GRAY
 WP-12M2-19-01

KEY B
 COLOR: BLACK
 WP-12M2-22-01

KEY C
 COLOR: GREEN
 WP-12M2-23-01

KEY D
 COLOR: BROWN
 WP-12M2-24-01

DRAWN	Yeh Chou	APPVL	Emily Suen	UNIT	mm	TOLERANCE .x ±0.20 .xx ±0.10 .xxx ±0.05 .xxxx ±0.03 ANGULA ±1°		广东科斯达电子科技有限公司 GUANG DONG KE SI DA ELECTRONIC TECHNOLOGY CO., LTD.	TITLE	WP 12P SIZE 20 DTM04-12P SERIES			SHEET	1
CHK'D	Emily Suen			PART NO.	SEE TABLE A				DWG NO.	QC8708	VERSION	A		