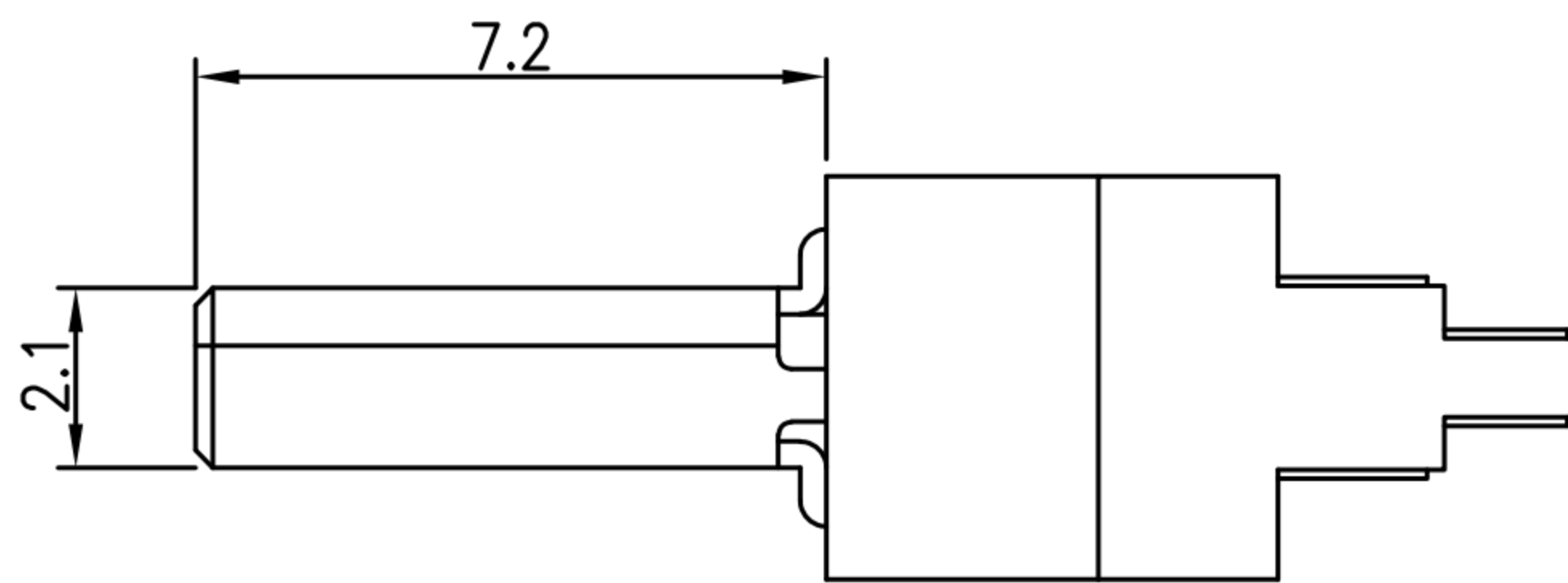
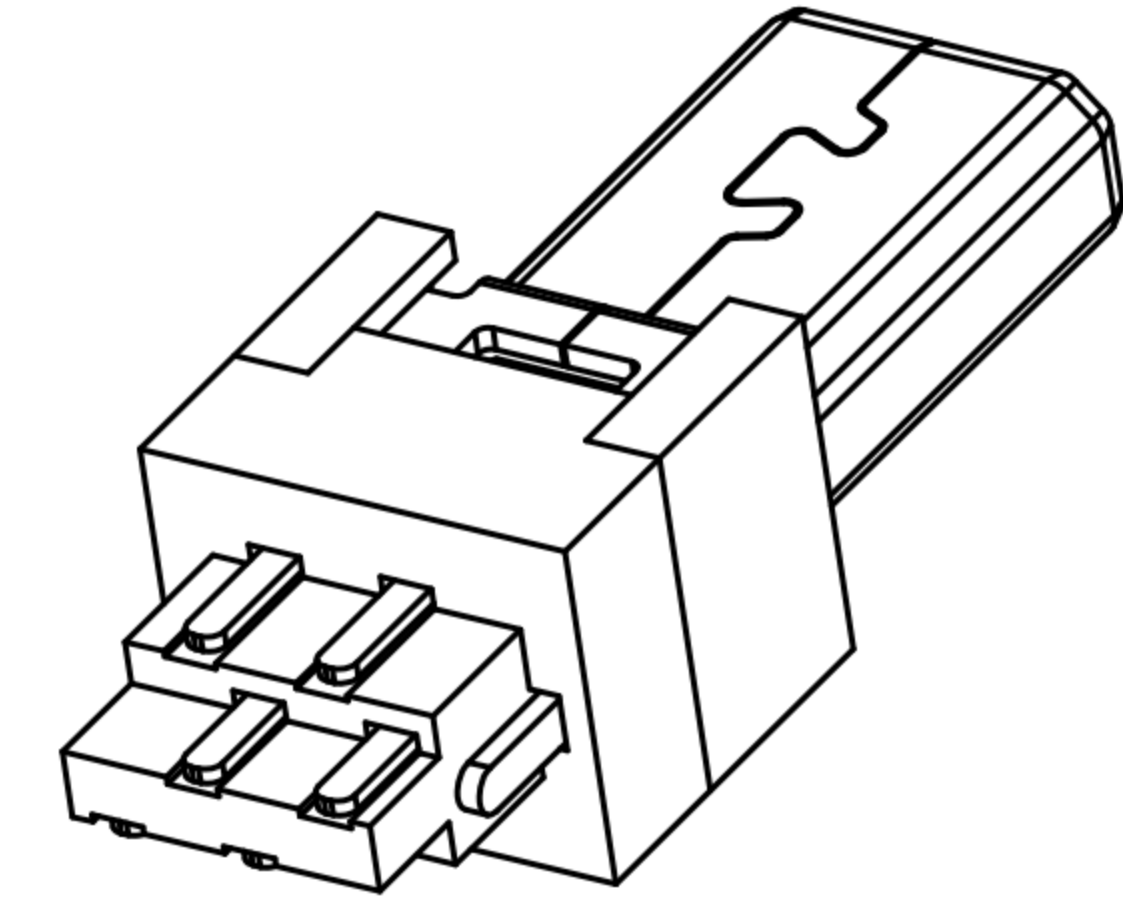
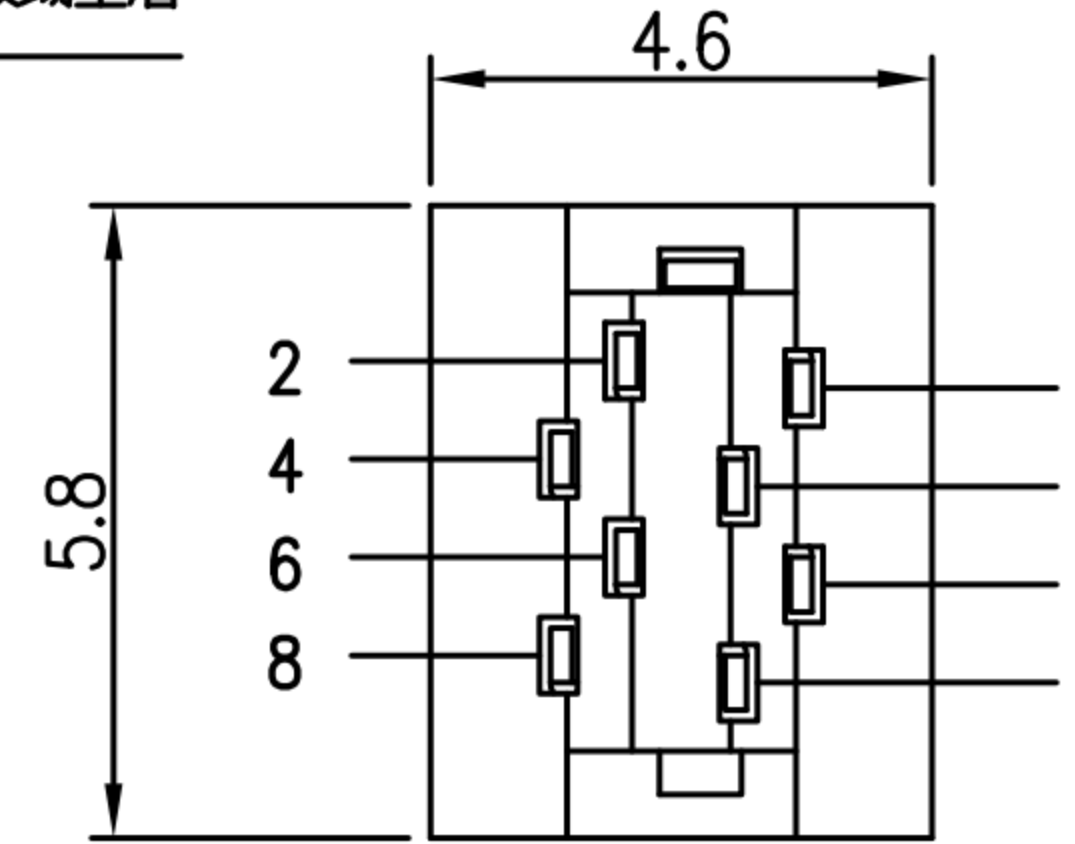
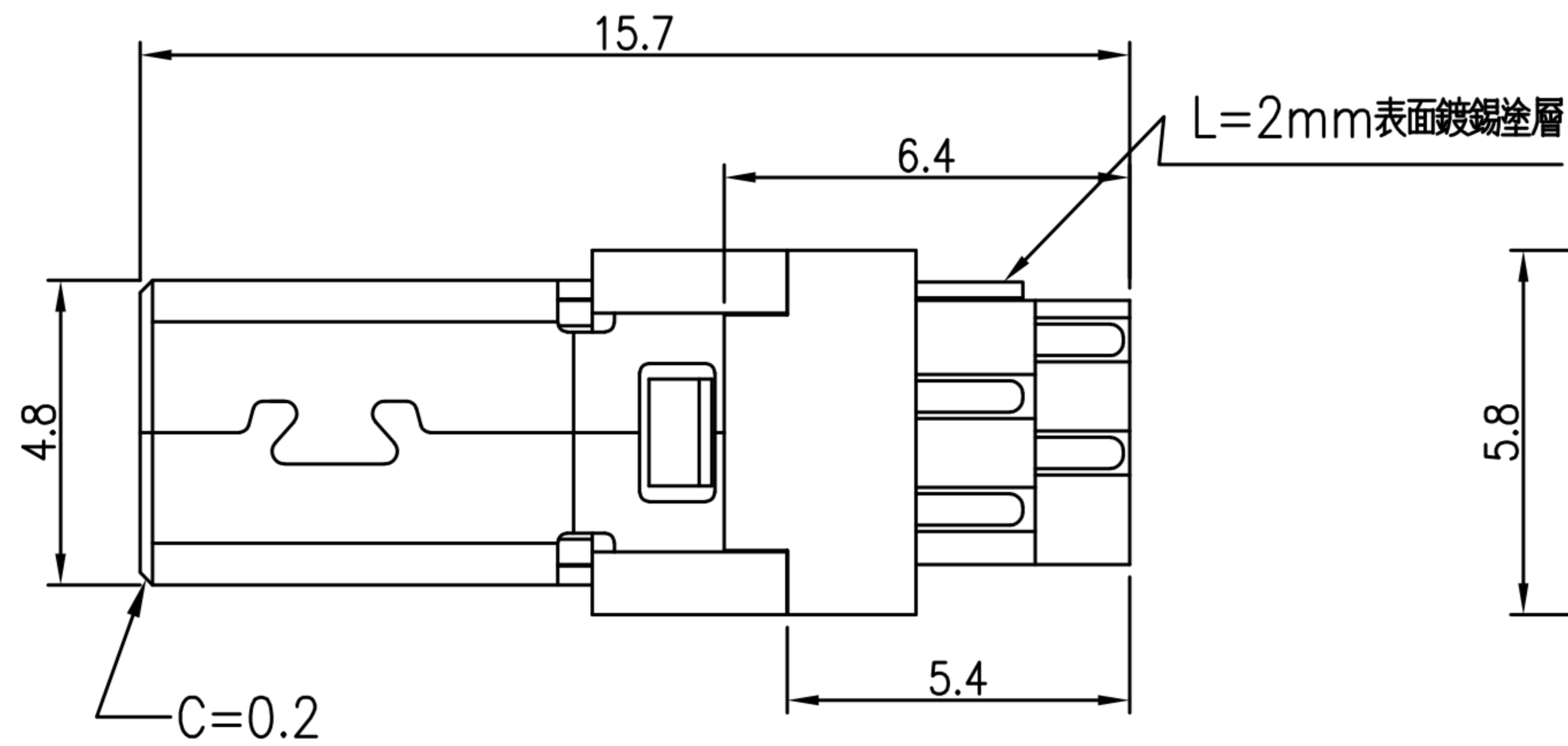
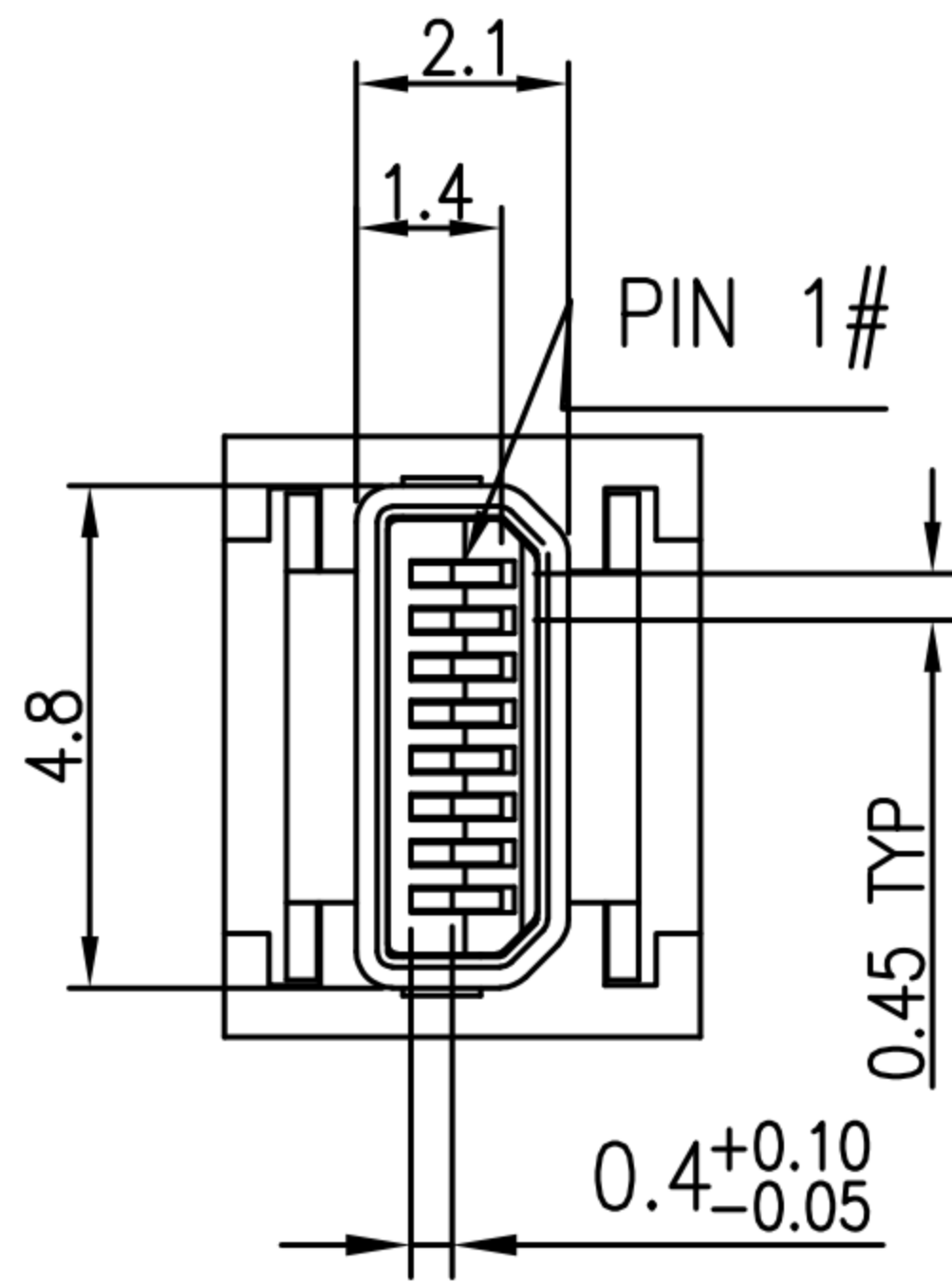


CUSTOMER DRAWING

REV.	DESCRIPTION	APPROVED BY	DATE	ECN NO.
G	RELEASE	Fido Weng	22/12/08"	
H	MODIFY DRAWING	Fido Weng	02/11/10"	ECN10016
I	Disable Part Number	Fido Weng	03/09/10"	ECN10021



1. MATERIAL :
 - 1-1. FRONT HOUSING: LCP UL94V-0 ; COLOR : BLACK
 - 1-2. BACK HOUSING: LCP UL94V-0 ; COLOR : BLACK
 - 1-3. CONTACT : PHOSPHORUS COPPER
 - 1-4. SHELL : BRASS
2. FINISH :
 - 2-1. CONTACT AREA : SEE TABLE A
 - SOLDER TAILS AREA: TIN
 - UNDER PLATE : NICKEL
 - 2-2. SHELL : SEE TABLE A

TABLE A

MU-08M1-11	MINIUSB 8(M)單排銅殼(黃銅)	端子 金1~3u" ; 銅殼 鍍80u" , 接地片 鍍100u"
MU-08M1-09	MINIUSB 8(M)單排銅殼(黃銅)	端子 金30u" ; 銅殼 鍍80u" , 接地片 鍍100u"
MU-08M1-08	MINIUSB 8(M)單排銅殼(黃銅)	端子 金10u" ; 銅殼 鍍80u" , 接地片 鍍100u"
MU-08M1-07	MINIUSB 8(M)單排銅殼(黃銅)	端子 金30u" , 銅殼 鍍80u"
MU-08M1-06	MINIUSB 8(M)單排銅殼(黃銅)	端子 金10u" , 銅殼 鍍80u"
P/N	DESCRIPTION	PLATED

DRAWN	Jen Xie	APP'D	Fido Weng	UNIT	mm	TOLERANCE			TITLE	MINI USB 8PIN (M)單排式			SHEET
CHK'D	Emily Suen			SCALE	1:1	.x ±0.20 .xx ±0.10 .xxx ±0.05 .xxxx ±0.03 ANGULA ±1'			PART NO.	TABLE A	DWG NO.	QC1631	VERSION