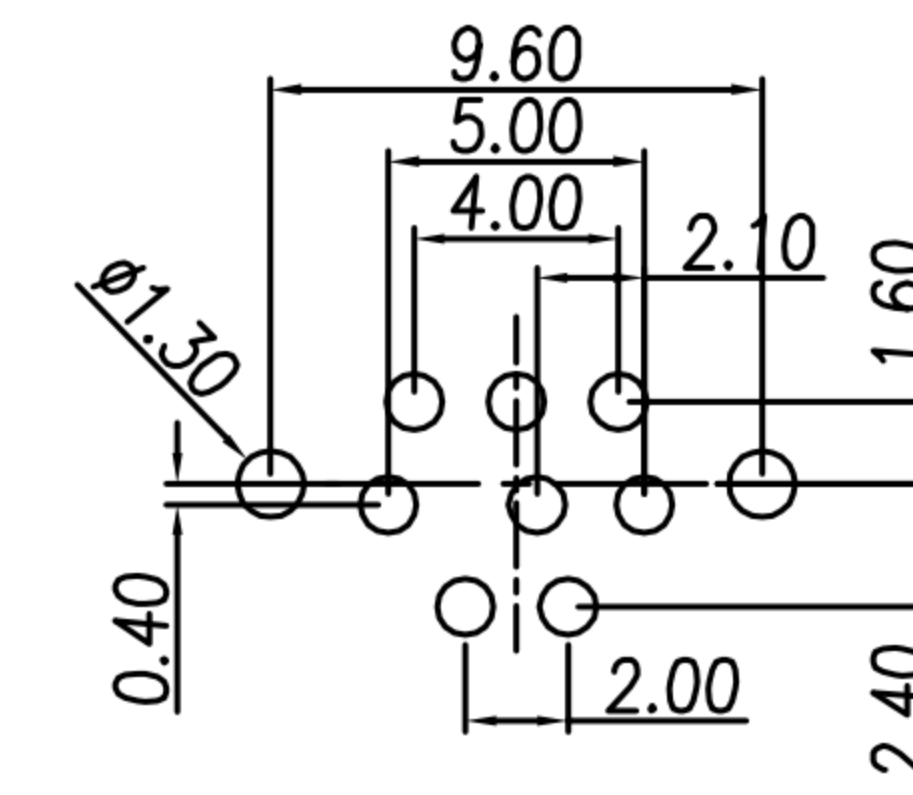
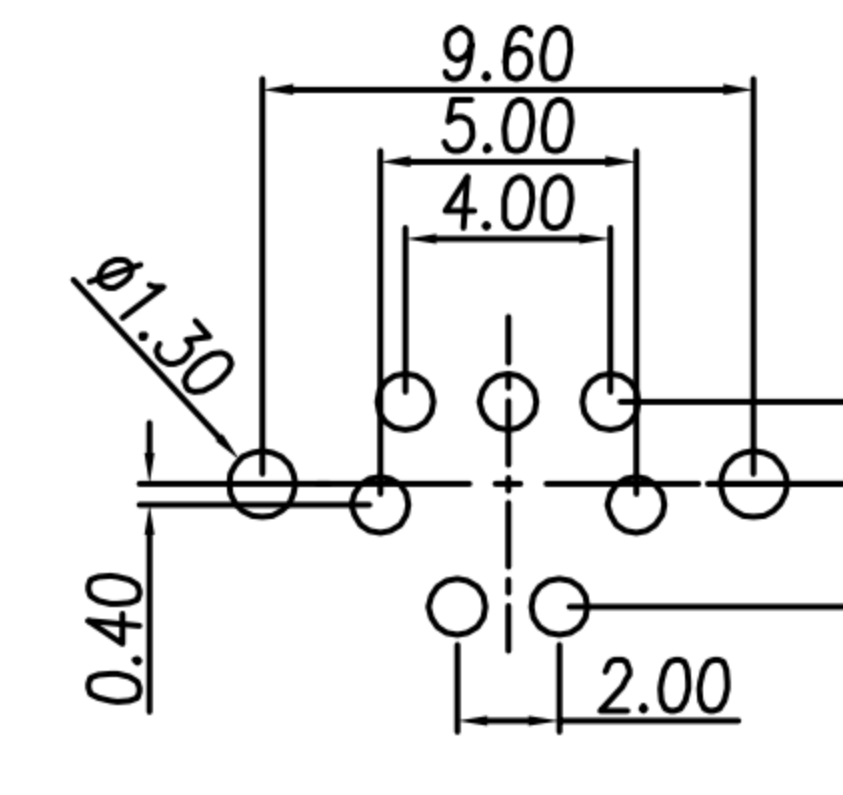
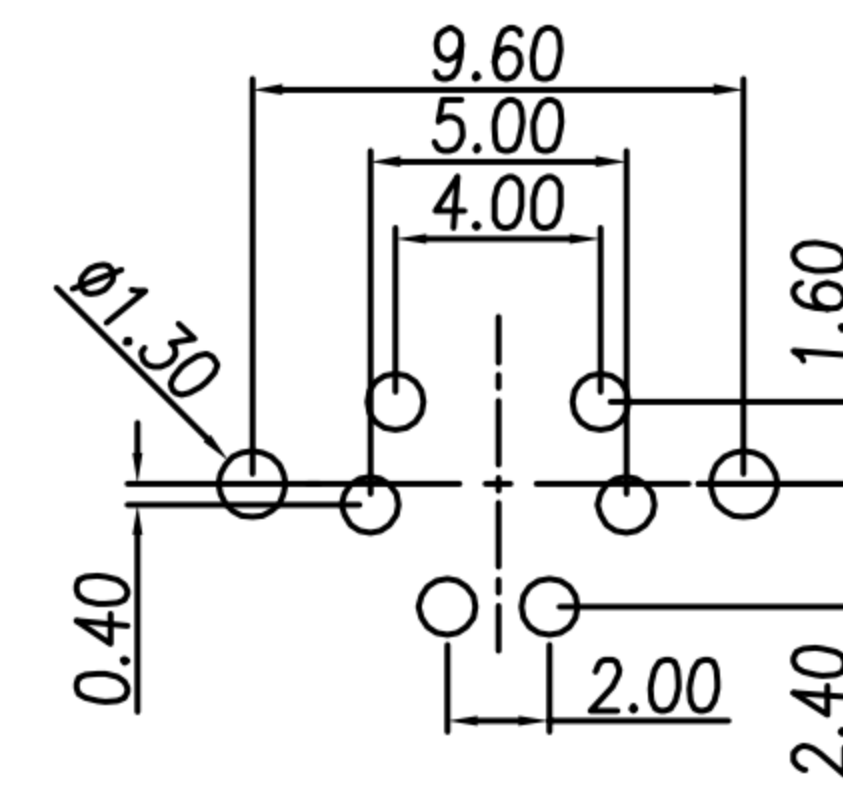
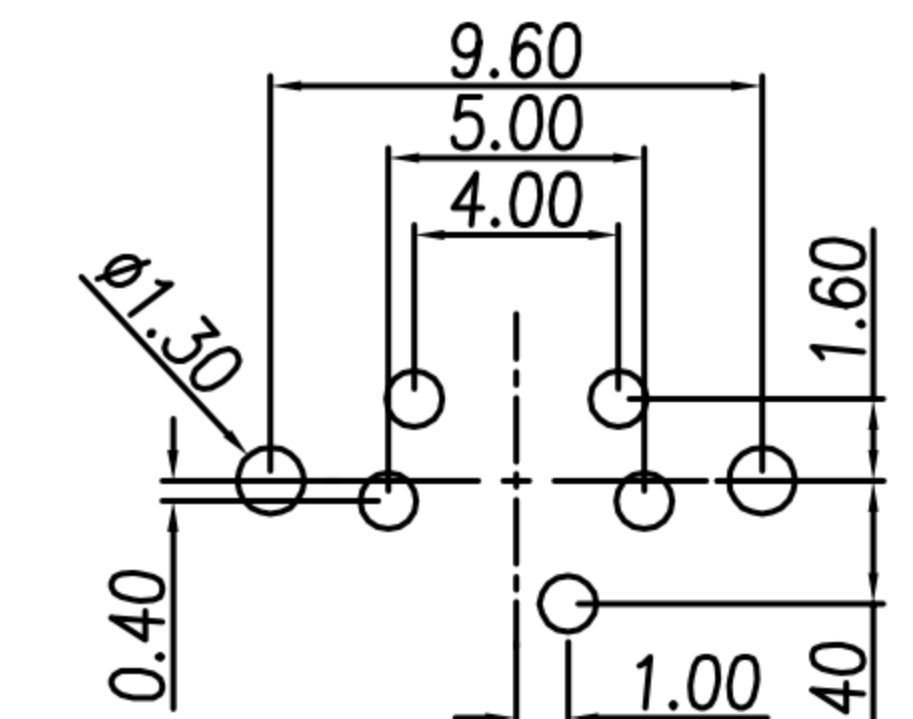
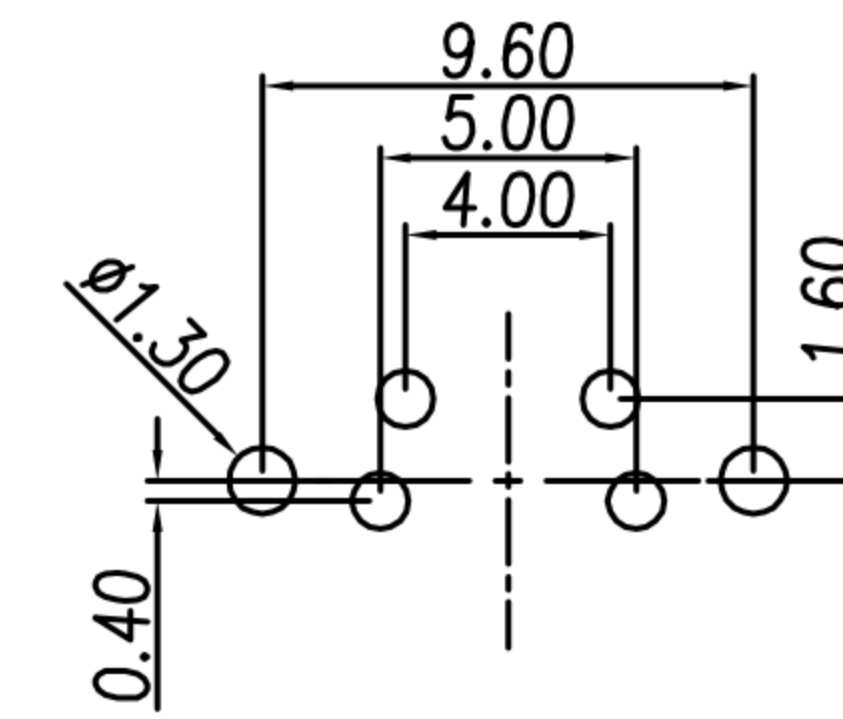
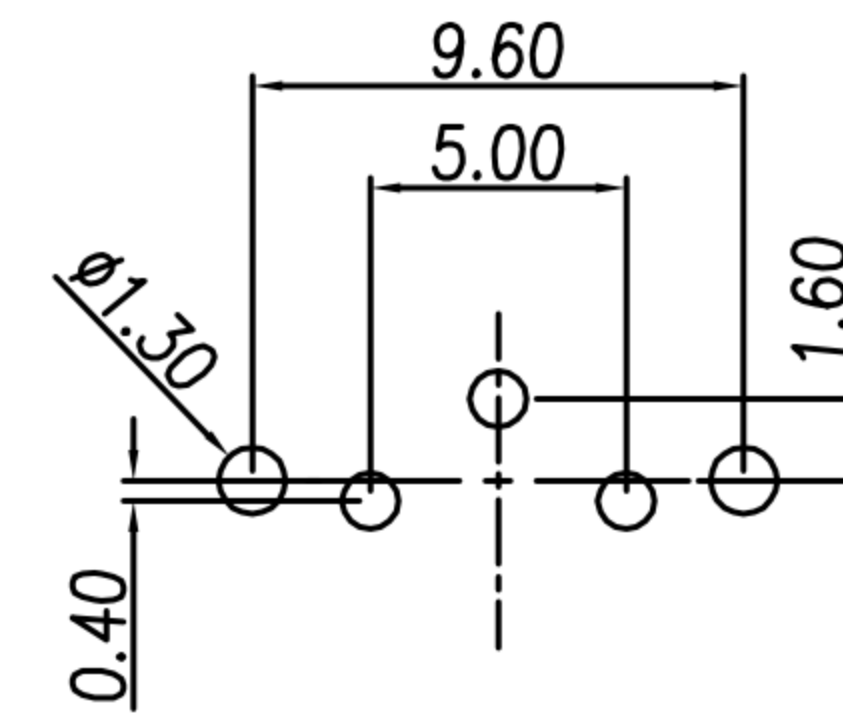
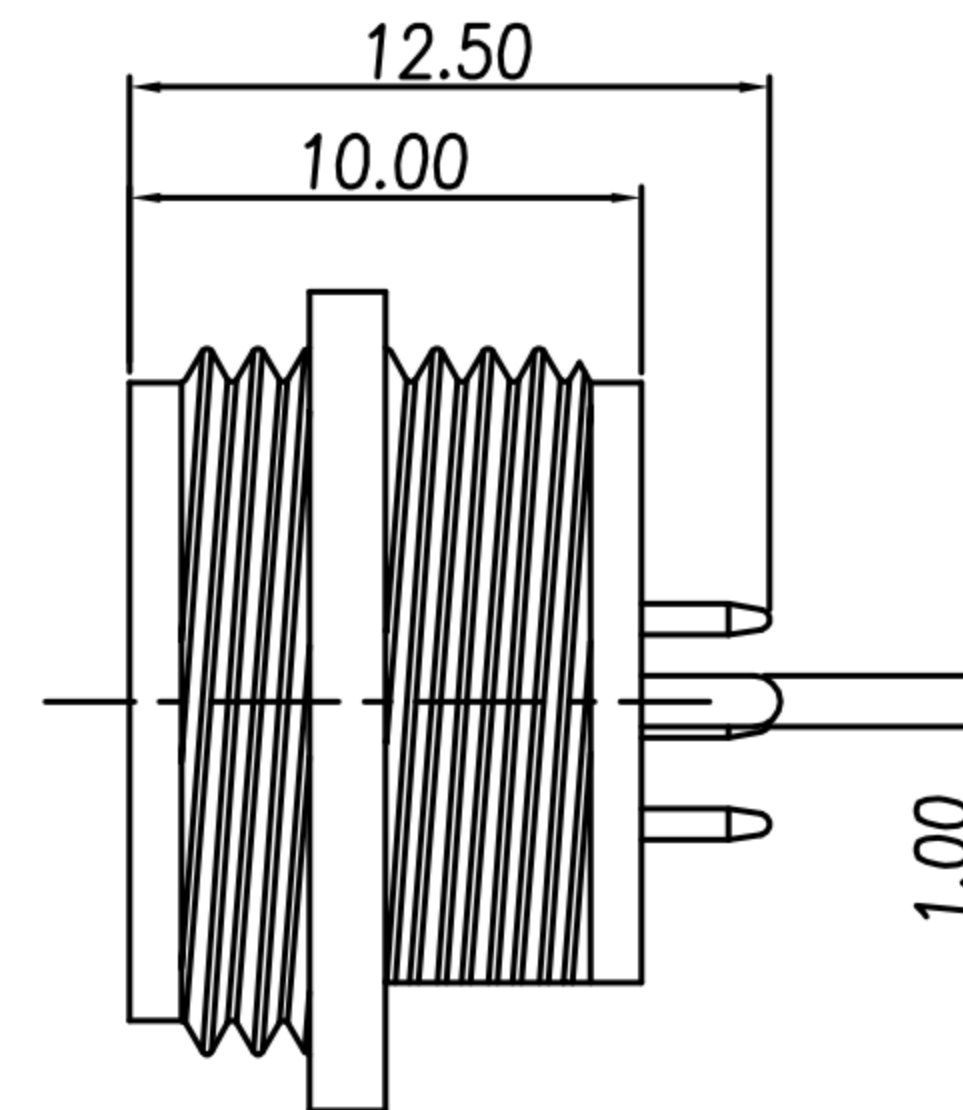
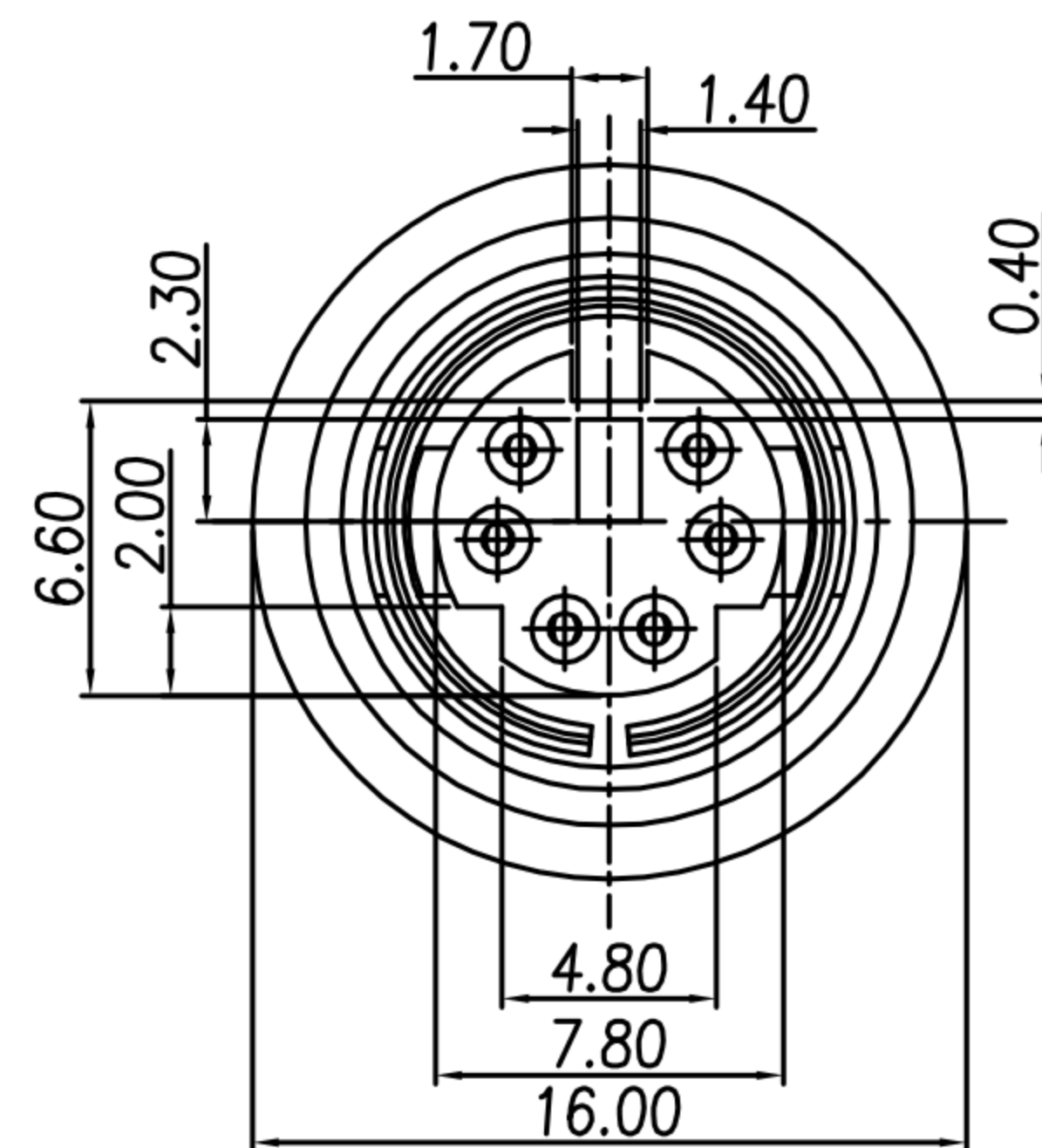
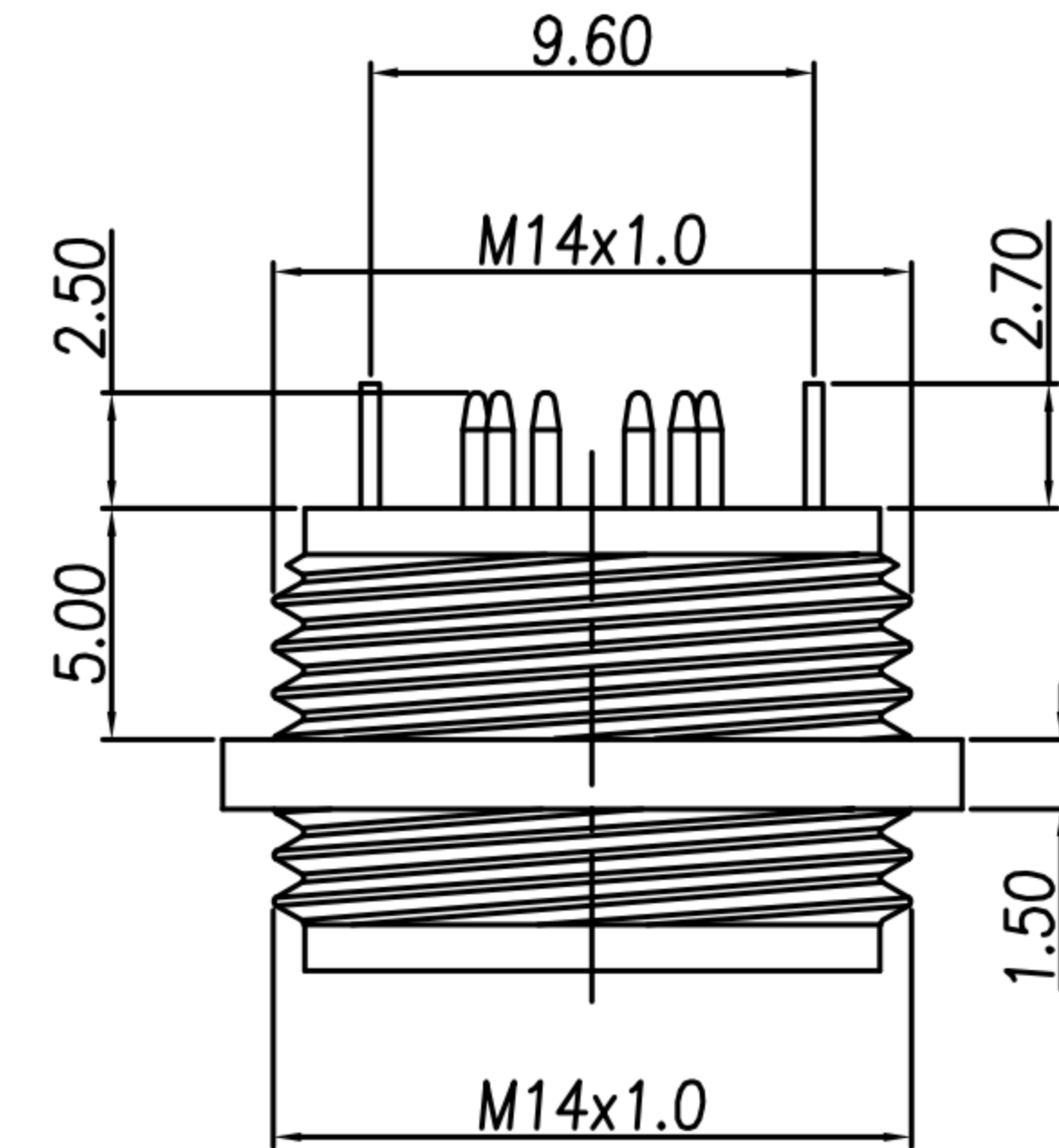
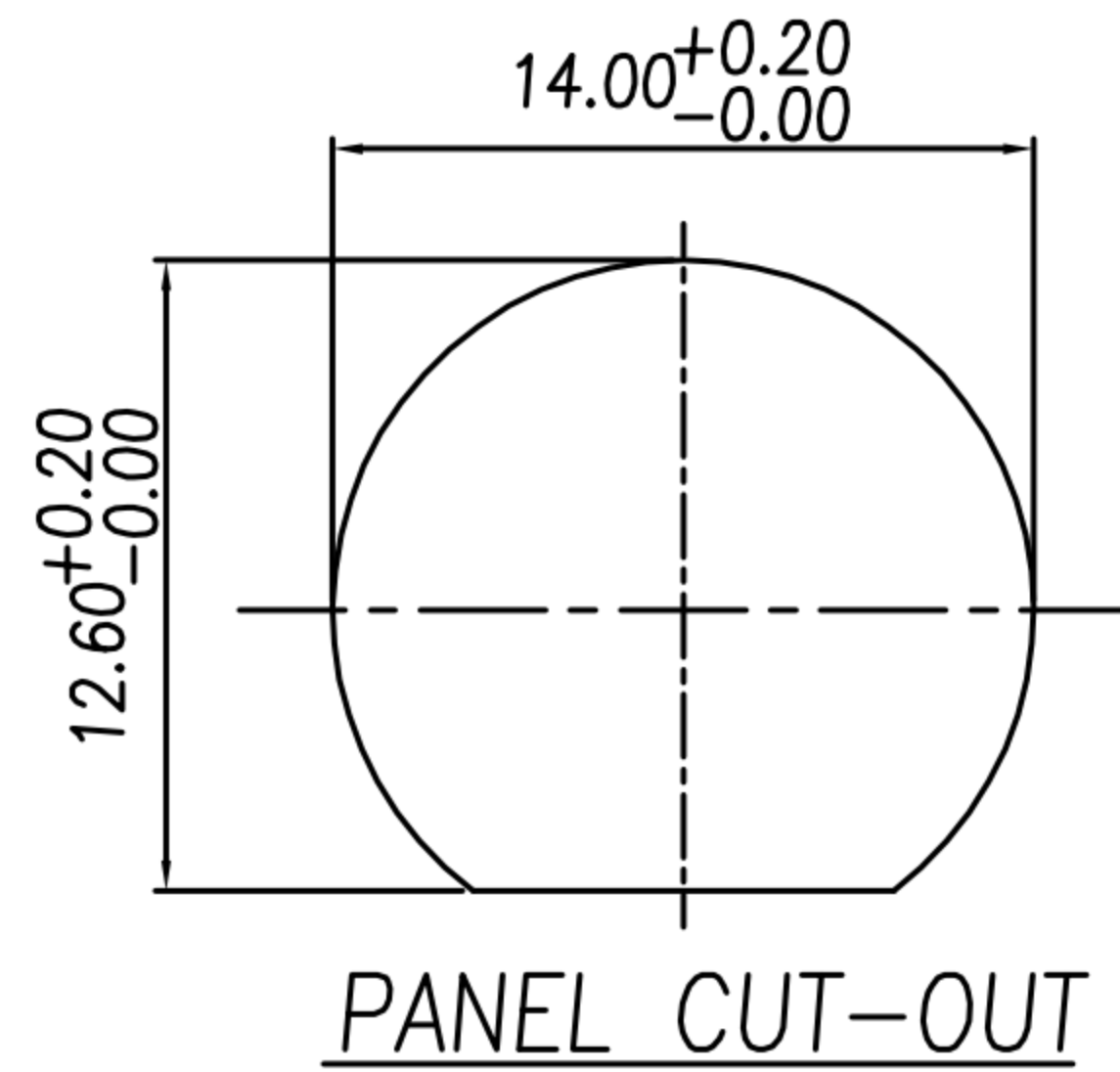


# CUSTOMER DRAWING

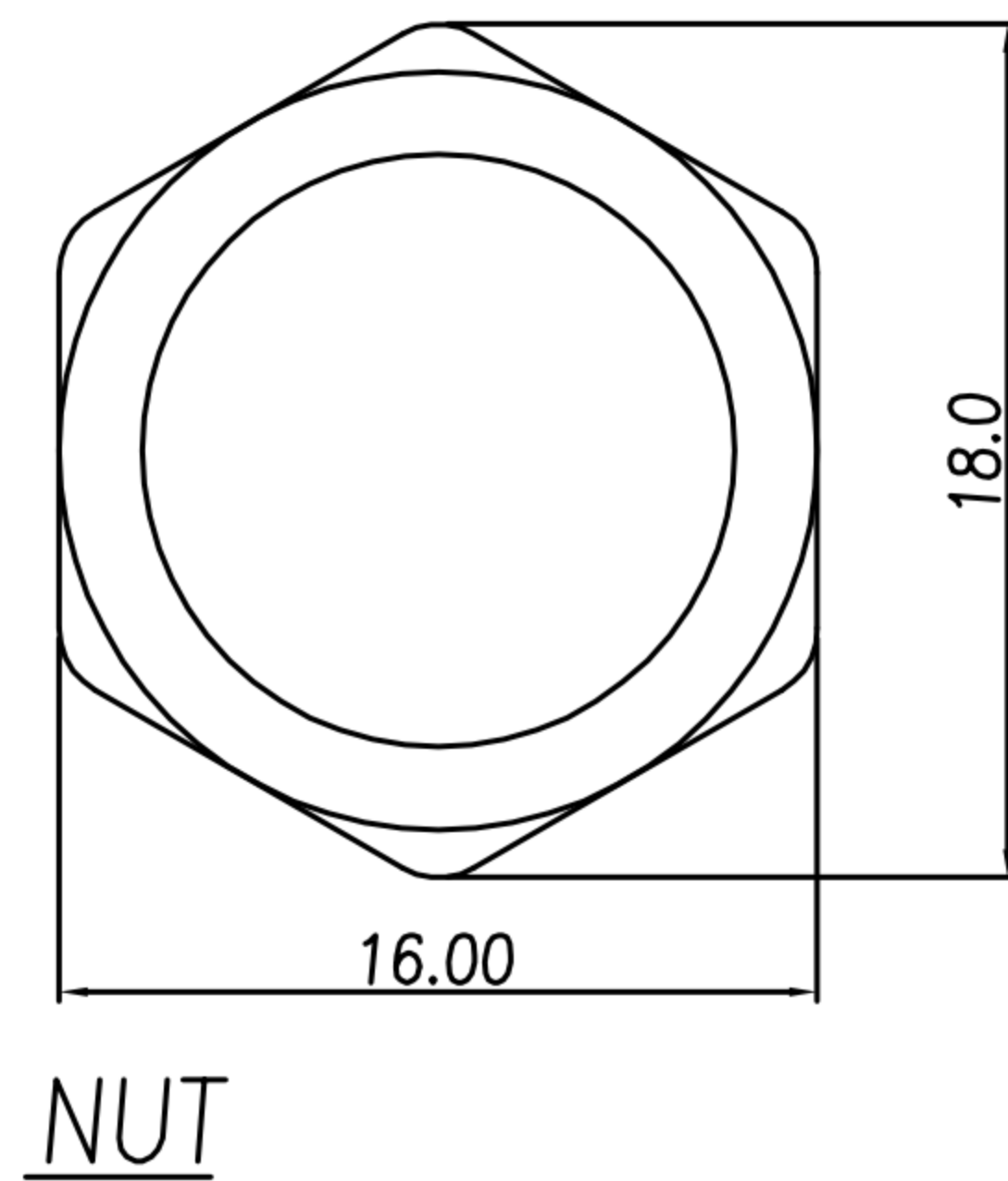
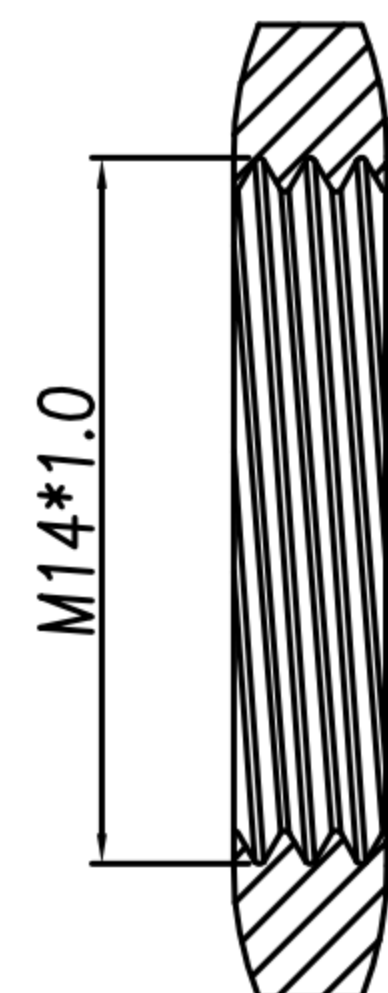
REV.	DESCRIPTION	APPROVED BY	DATE	ECN NO.
△A	RELEASE	Fido Weng	22/12/08*	
△B	改回正確電氣規格 & 新增料號	KU	29/03/19*	
△C				

TABLE A

MD-03F3-07-01	MD-04F2-15-11	MD-05F2-03-11
MD-06F2-10-11	MD-07F3-08-01	MD-08F2-03-11



1. MATERIAL :
  - 1-1. Housing : PBT UL94V-0 ; Color : Black
  - 1-2. Contact : Phosphor Bronze
  - 1-3. Shell : Brass
2. FINISH :
  - 2-1. Contact : Bright Tin Plated
  - 2-2. Shell : Nickel Plated
3. ELECTRICAL SPECIFICATION :
  - 3-1. Rated current : 2A
  - 3-2. Rated voltage : 12v DC
  - 3-3. Insulation Resistance : 50MΩ min. at 250V DC
  - 3-4. Dielectric Strength : 250V AC / 1 minute
  - 3-5. Contact Resistance : 30mΩ max.
  - 3-6. Insertion force : 45N max.
  - 3-7. Withdrawal force : 9N to 30N
  - 3-8. Durability Test : 1000 Cycles
4. Environmental :
  - 4-1. Operation Temperature : -20℃~85℃



DRAWN	Yeh Chou	APP'D	Ku Chou	UNIT	mm	TOLERANCE		广东科斯达电子科技有限公司 GUANG DONG KE SI DA ELECTRONIC TECHNOLOGY CO., LTD.	TITLE	MiniDin (F) SOCKET SCREW DIP TYPE			SHEET	1
CHK'D	Emily Suen			SCALE	1:1				PART NO.	SEE TABLE A	DWG NO.	QC7056	VERSION	B