

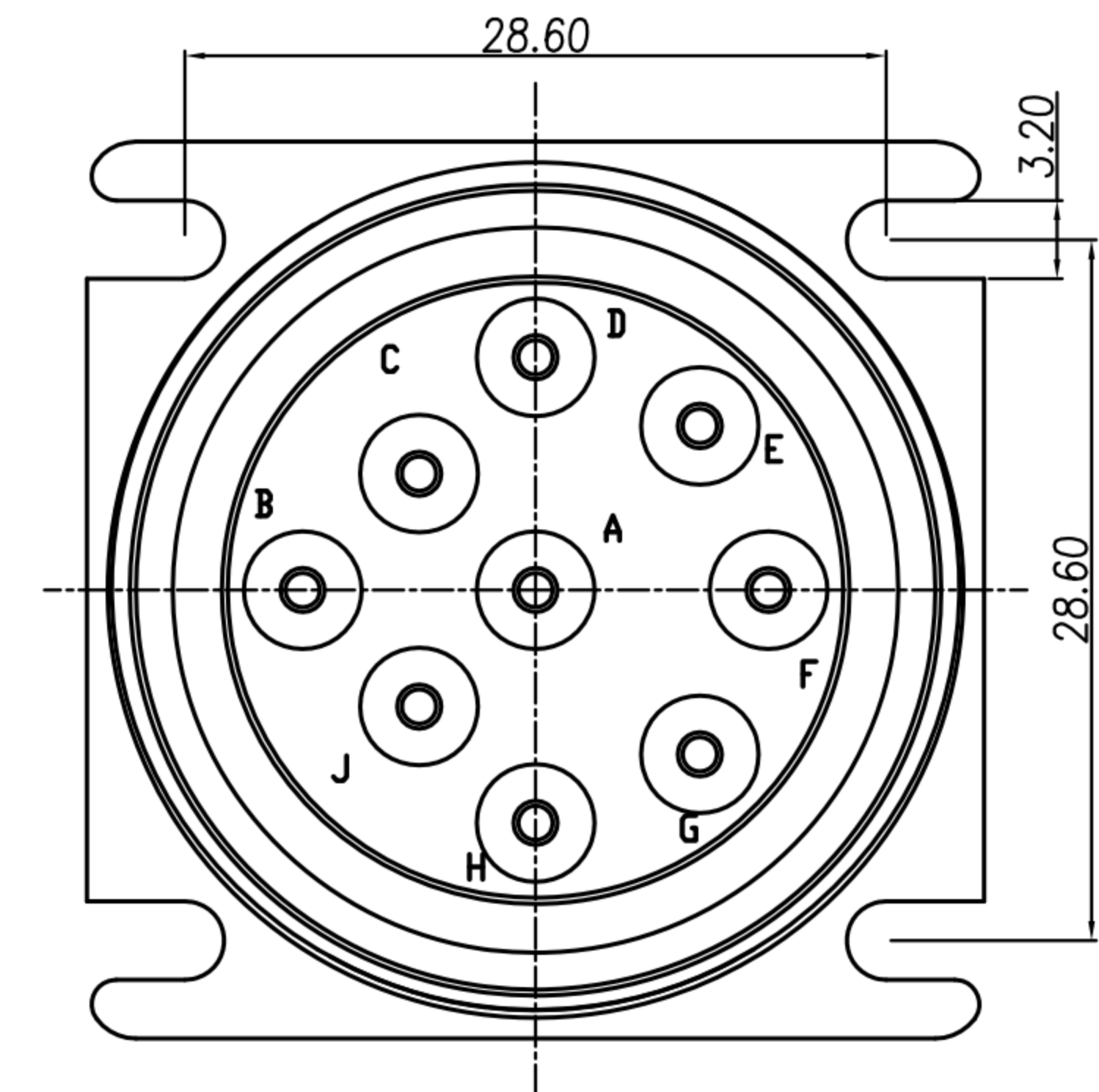
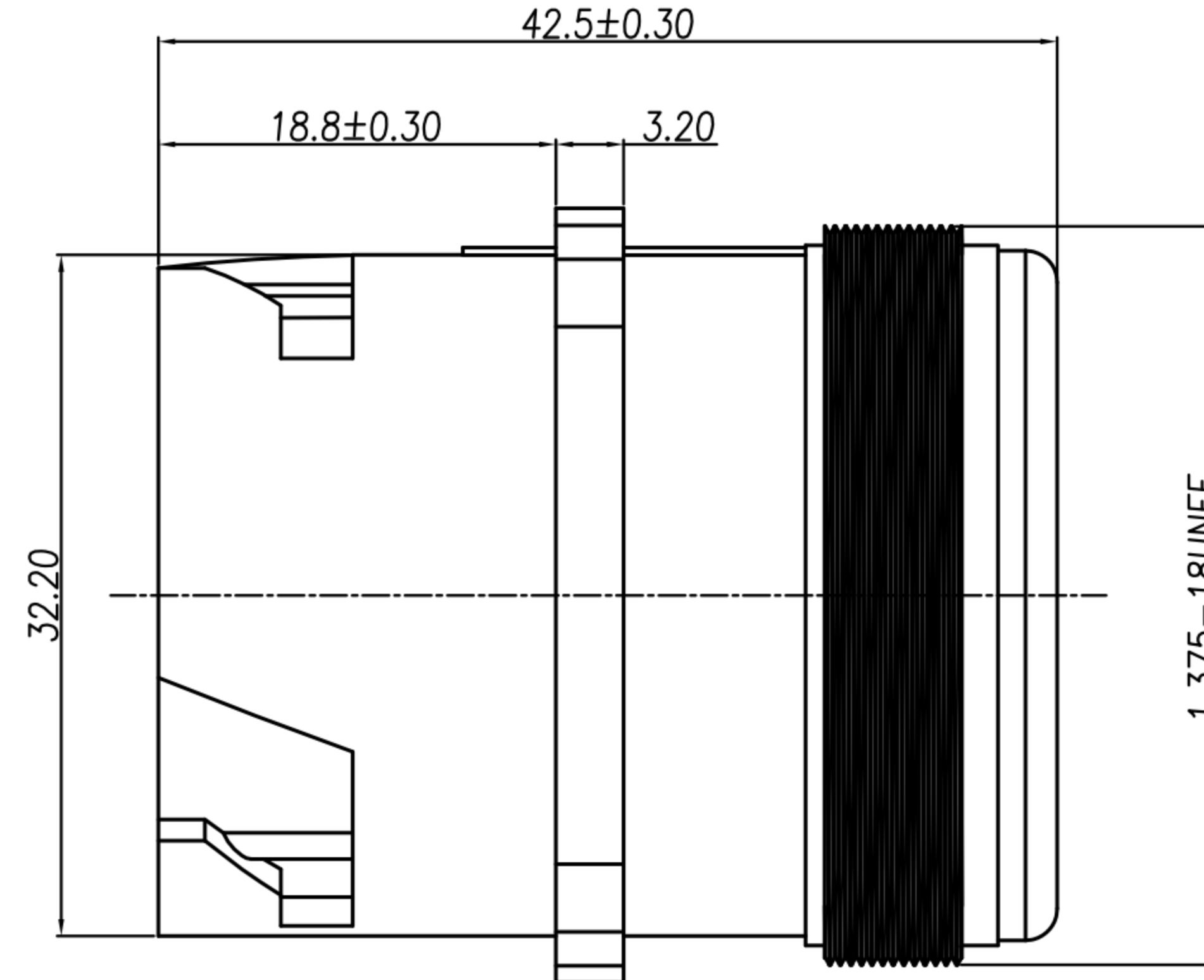
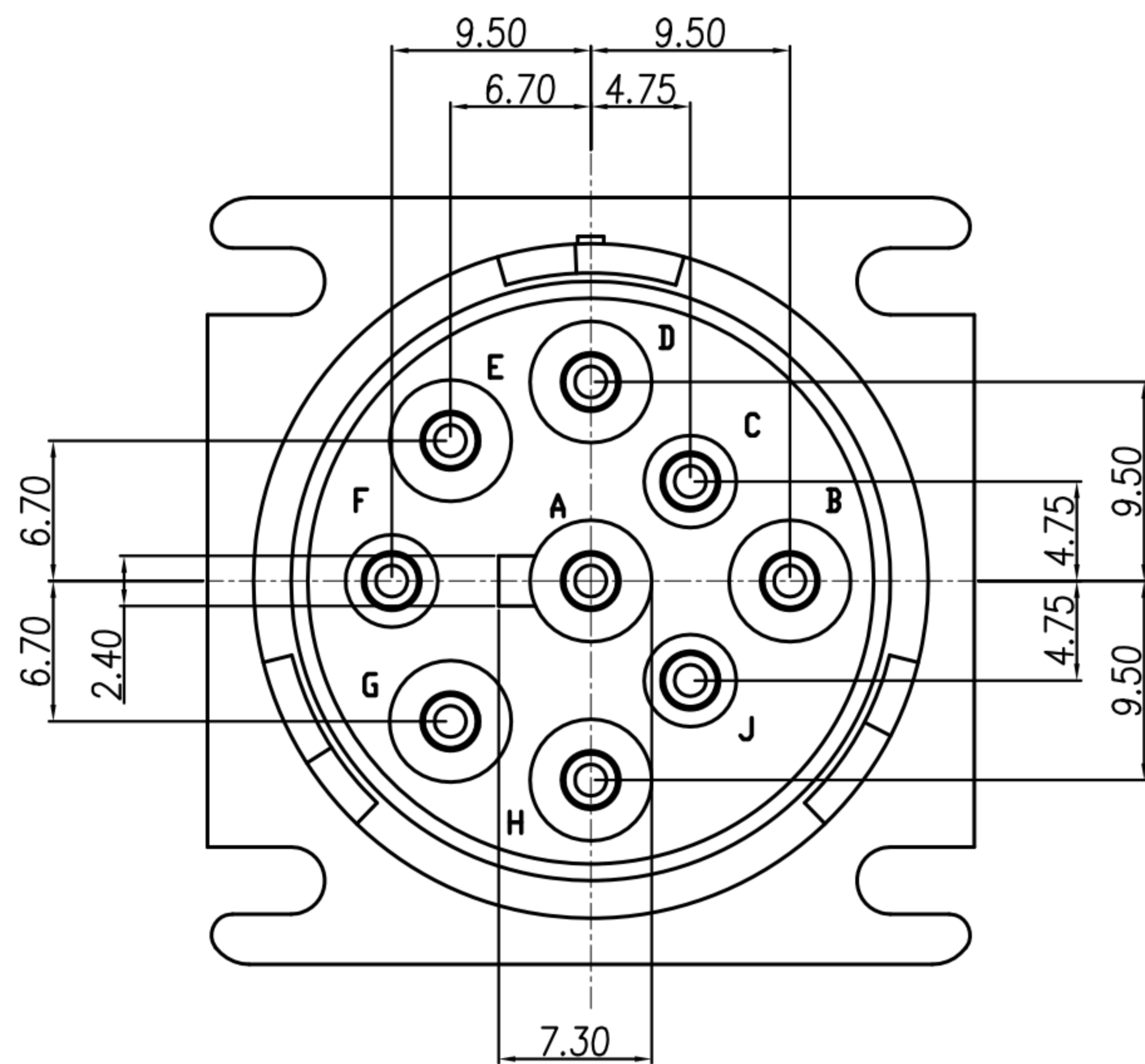
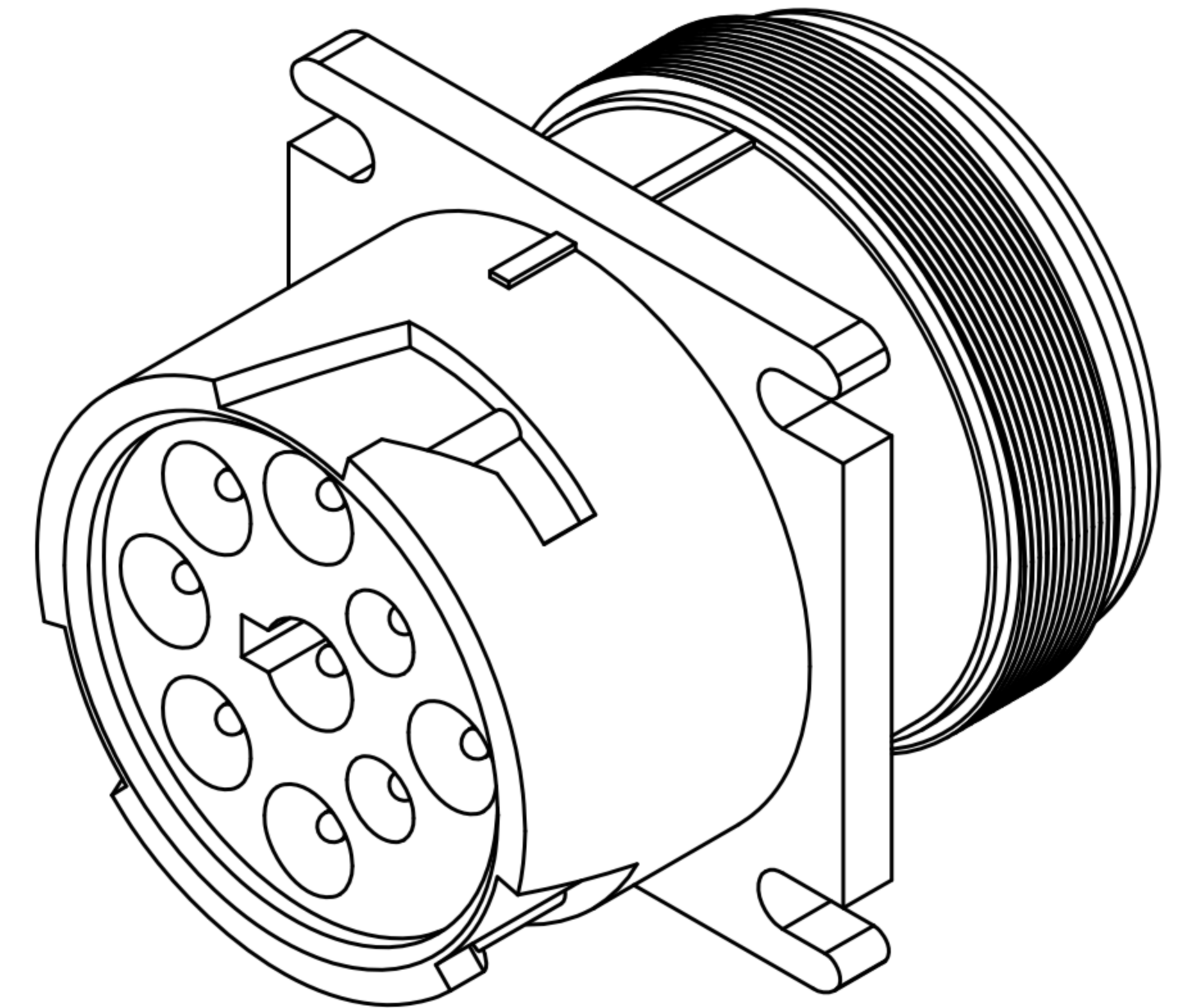
# CUSTOMER DRAWING

REV.	DESCRIPTION	APPROVED BY	DATE	ECN NO.
△A	RELEASE	Yeh Chou	2010/01/03	
△B	變更膠心顏色	KU	06/05/16'	ECN-16007
△C				
△D				

1. MATERIAL :
  - 1-1. INSULATOR : PA66 ; COLOR : SEE TABLE A
  - △B 1-2. HOUSING : PA66 ; COLOR : BLACK
  - 1-3. REAR COVER : PA66 ; COLOR : SEE TABLE A
  - 1-4. RUBBER : SILICONE ; COLOR : ORANGE
2. ELECTRICAL SPECIFICATION :
  - 2-1. Rated current : 13A
  - 2-2. Rated Voltage : 500V
  - 2-3. Water proof : IP67
3. Environmental :
  - 3-1. Operation Temperature : -40°~105°

TABLE A

P/N	DESCRIPTION
WP-09F2-11-11	防水頭9PIN(F)(1.375-18UNEF)(6粗3細)(黑色)
WP-09F2-05-01	防水頭9PIN(F)(1.375-18UNEF)(綠色)



DRAWN	Yeh Chou	APP'D	Ku Chou	UNIT	mm	TOLERANCE			TITLE	防水頭9PIN(F)(1.375-18UNEF)(綠色)			SHEET	
CHK'D	Yeh Chou	SCALE	1:1	TOLERANCE	.x ±0.20 .xx ±0.10 .xxx ±0.05 .xxxx ±0.03 ANGULA ±1°	PART NO.			SEE TABLE A	DWG NO.	QC6815	VERSION	B	