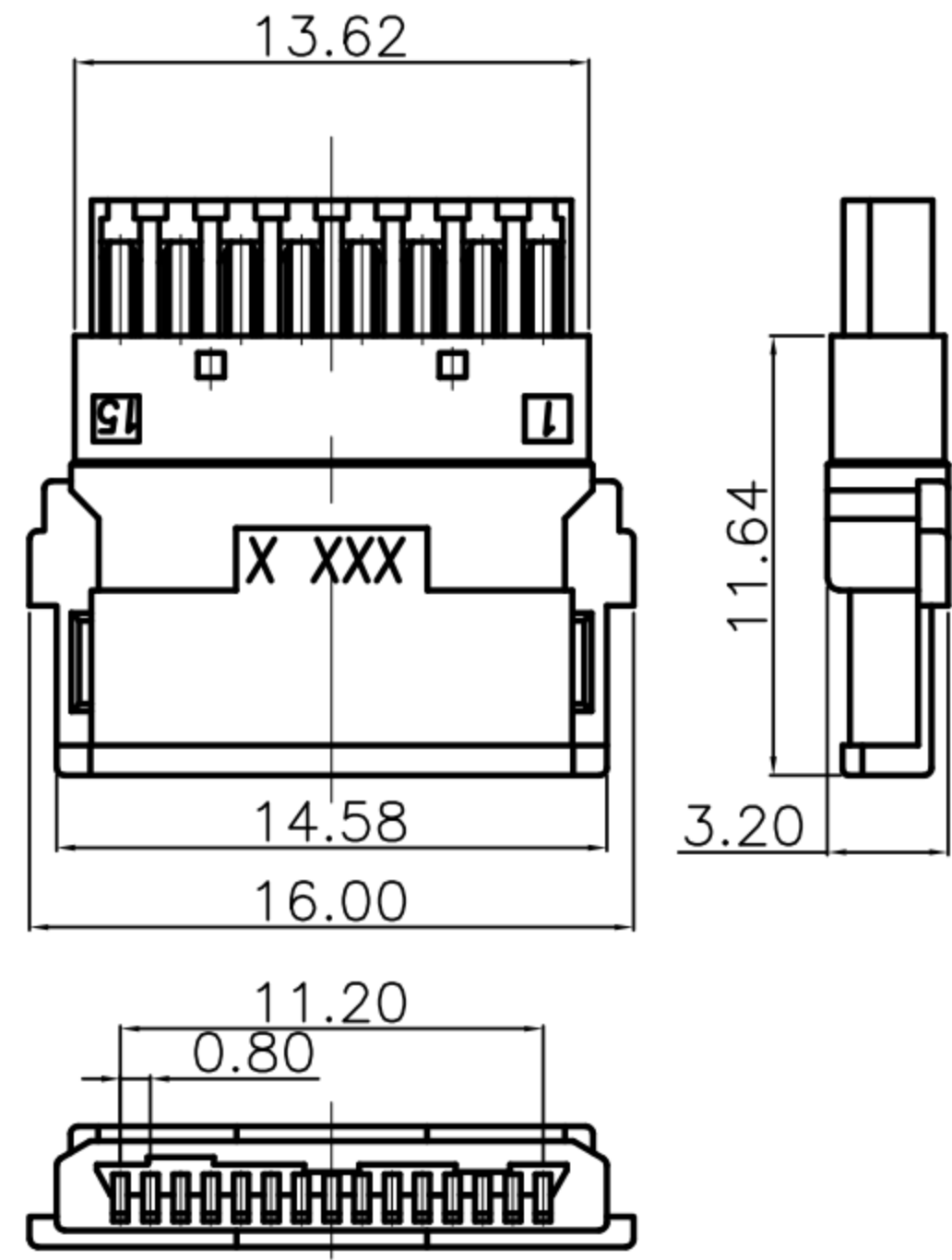


CUSTOMER DRAWING

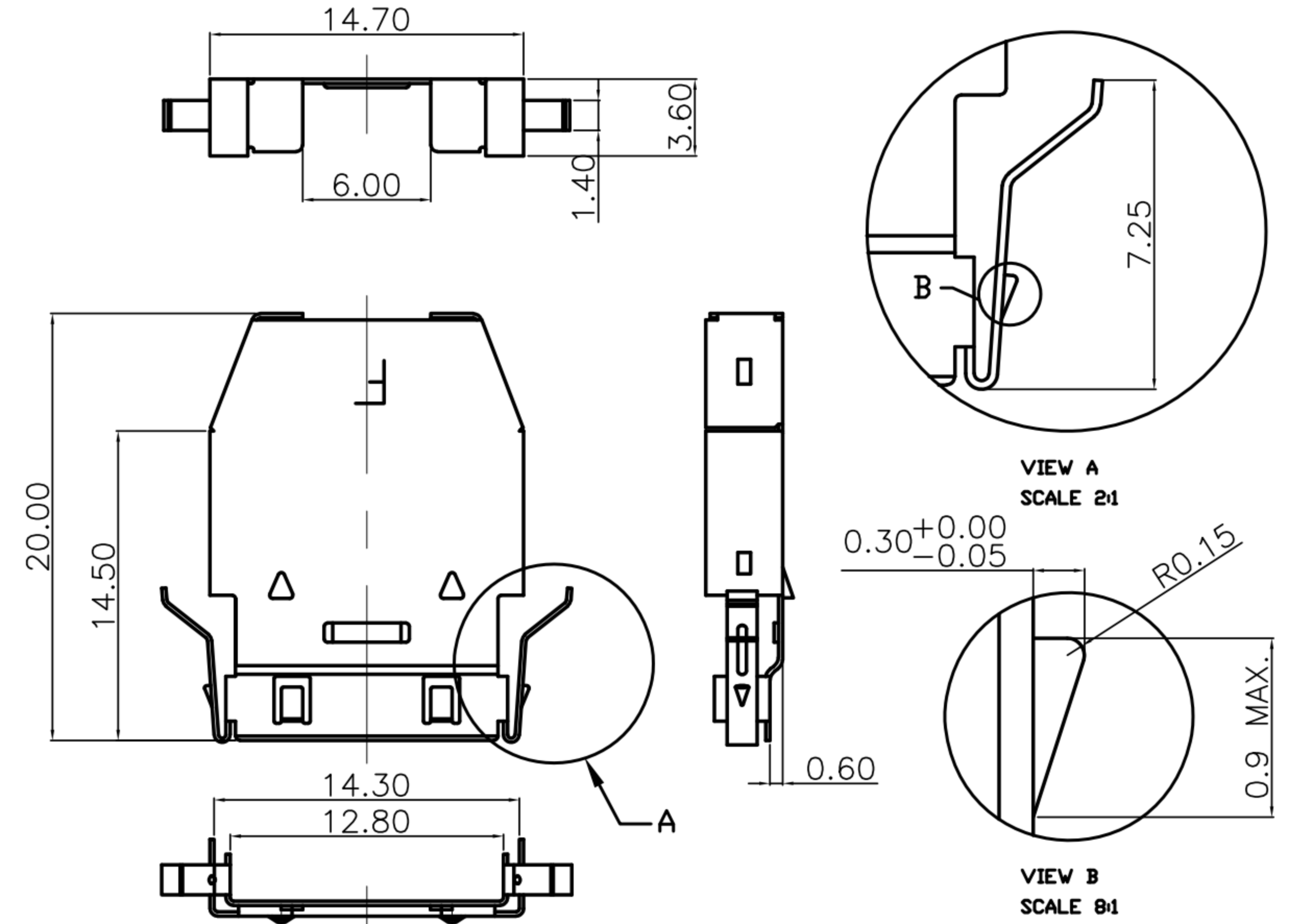
| REV. | DESCRIPTION | APPROVED BY | DATE | ECN NO. |
|------|-------------|-------------|------------|---------|
| A | | | | |
| B | 圖面整合 | Ku Chou | 2018/01/03 | |
| C | | | | |

HOUSING+CONTACT+INSERT

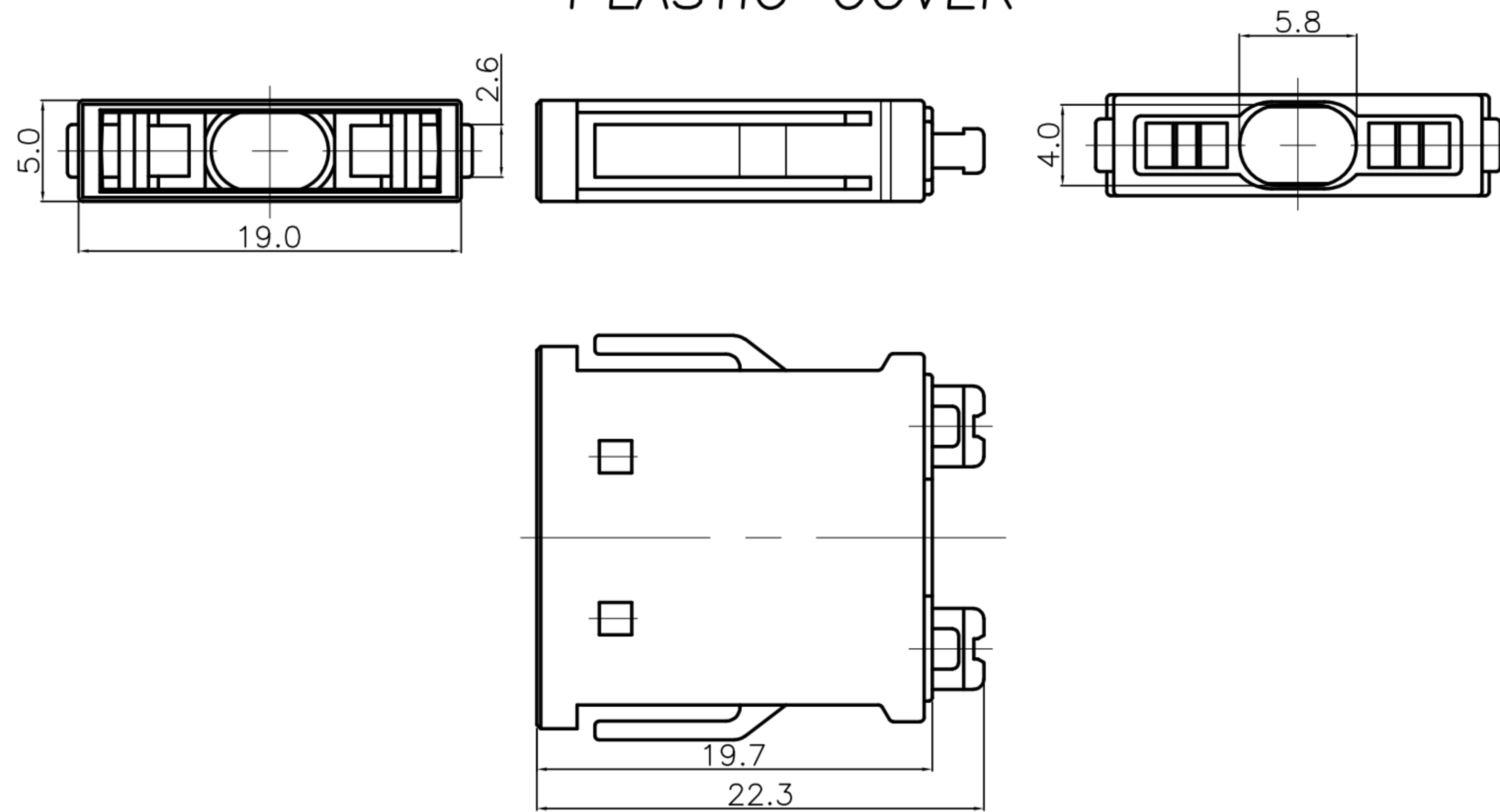


| | |
|------------------------------------|---------------------------------|
| <p>B Type</p> <p>NY-PC107</p> | <p>A Type</p> <p>NY-PC085</p> |
| <p>B23 Type</p> <p>NY-PC364-01</p> | <p>A23 Type</p> <p>NY-PC182</p> |
| <p>B13 Type</p> <p>NY-PC147</p> | <p>A13 Type</p> <p>NY-PC113</p> |
| <p>B12 Type</p> <p>NY-PC111</p> | <p>A12 Type</p> <p>NY-PC097</p> |

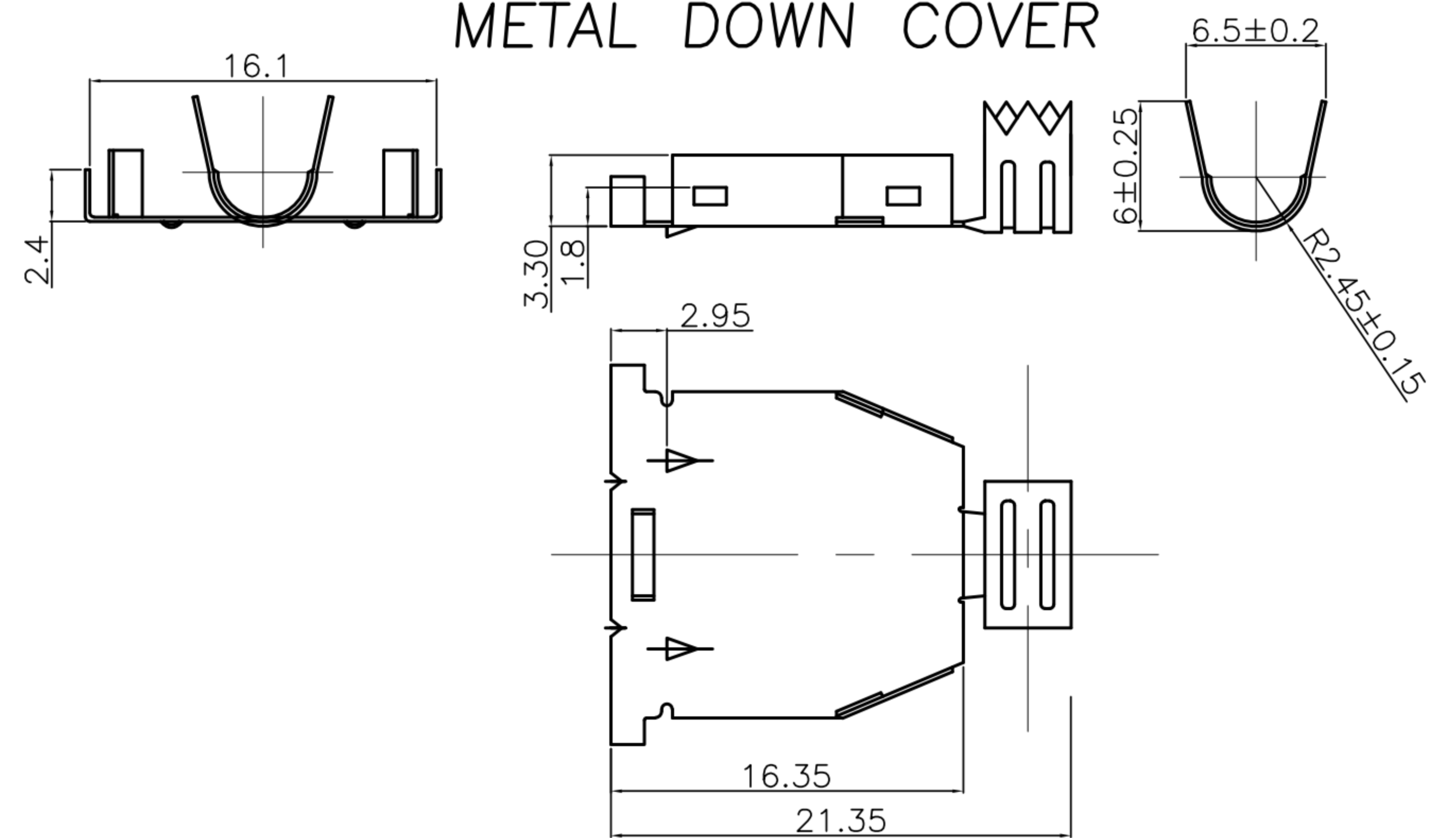
METAL UP COVER



PLASTIC COVER



METAL DOWN COVER



| | | | | | | | | | | | | | |
|-------|------------|-------|---------|-------|-----|--|--|--|----------|-------------|---------|--------|---------|
| DRAWN | Emily Suen | APP'D | Ku Chou | UNIT | mm | TOLERANCE | | <p>广东科斯达电子科技有限公司 GUANG DONG KE SI DA ELECTRONIC TECHNOLOGY CO., LTD.</p> | TITLE | SEE TABLE A | | | SHEET |
| CHK'D | Emily Suen | | | SCALE | 1:1 | .x ±0.20 .xx ±0.10 .xxx ±0.05 .xxxx ±0.03 ANGULA ±1° | | | PART NO. | SEE TABLE A | DWG NO. | QC0697 | VERSION |

CUSTOMER DRAWING

| REV. | DESCRIPTION | APPROVED BY | DATE | ECN NO. |
|------|-------------|-------------|------------|---------|
| A | | | | |
| B | 圖面整合 | Ku Chou | 2018/01/03 | |
| C | | | | |

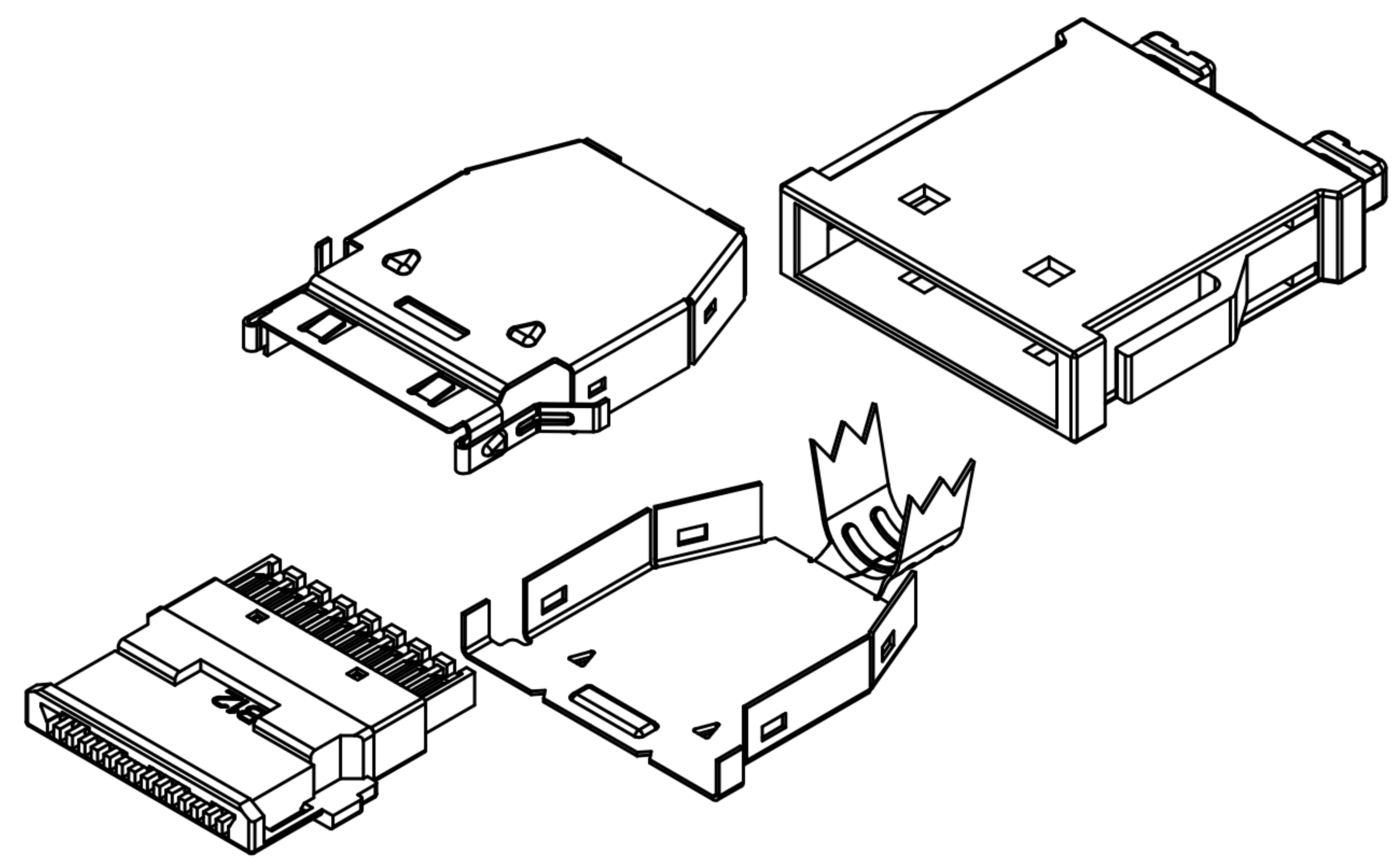
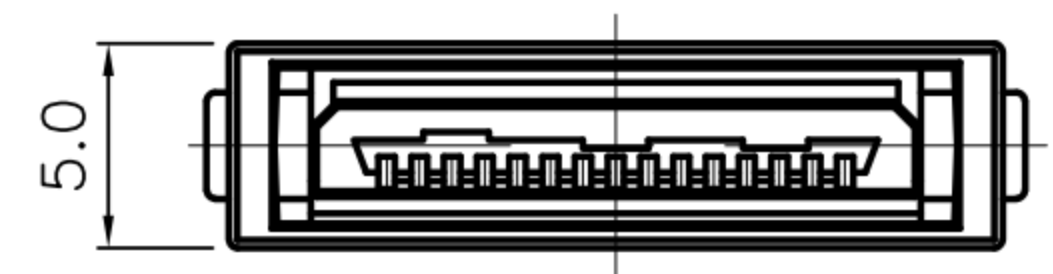
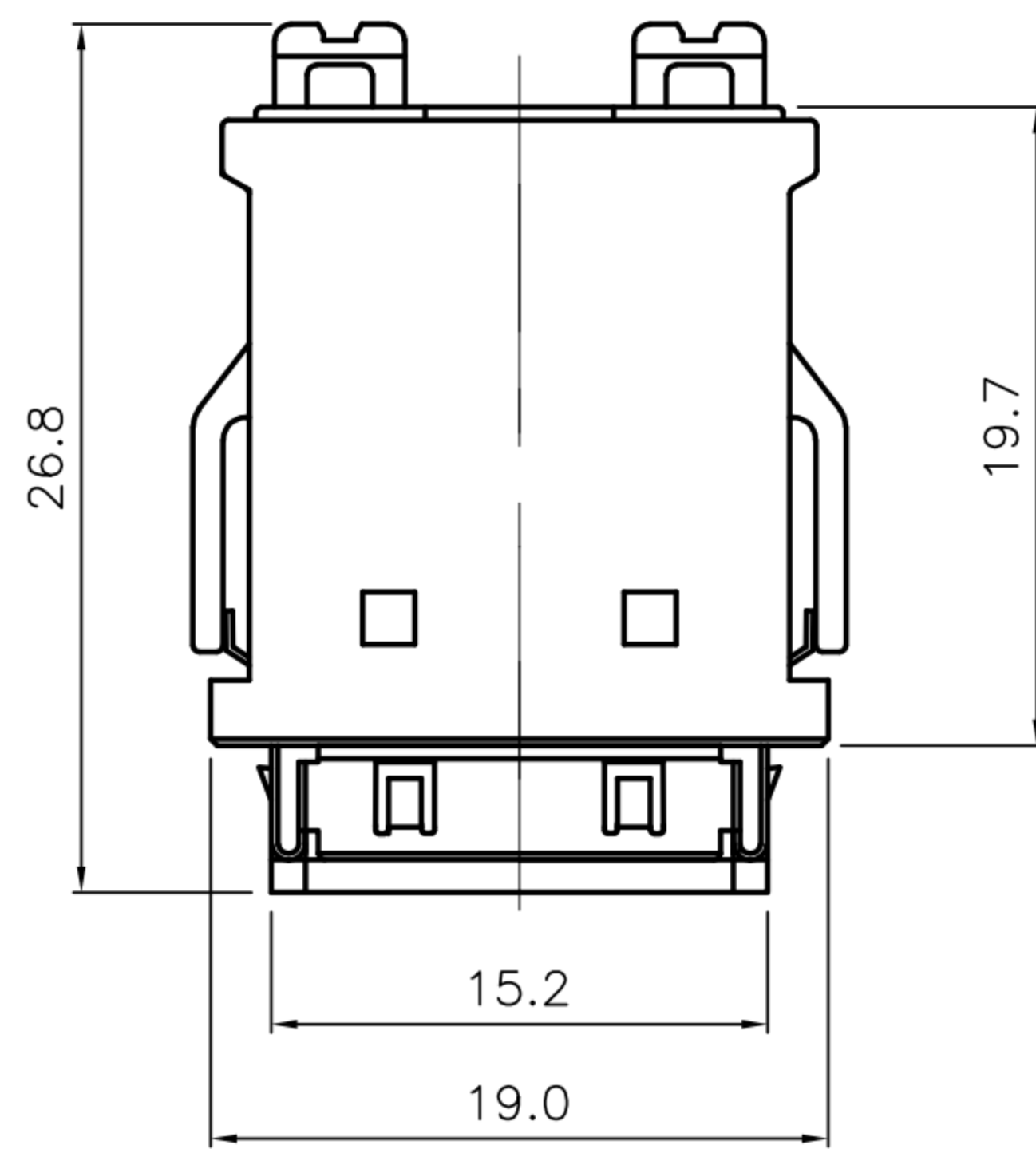


TABLE A

| | P/N | DESCRIPTION |
|---|------------|-------------------------------------|
| 1 | PC-15M2-24 | PCMCIA 15P (M) A TYPE(Without SR) |
| 2 | PC-15M2-08 | PCMCIA 15P (M) A23 TYPE(Without SR) |
| 3 | PC-15M2-15 | PCMCIA 15P (M) A13 TYPE(Without SR) |
| 4 | PC-15M2-26 | PCMCIA 15P (M) A12 TYPE(Without SR) |
| 5 | PC-15M2-44 | PCMCIA 15P (M) B TYPE(Without SR) |
| 6 | PC-15M2-46 | PCMCIA 15P (M) B23 TYPE(Without SR) |
| 7 | PC-15M2-34 | PCMCIA 15P (M) B13 TYPE(Without SR) |
| 8 | PC-15M2-07 | PCMCIA 15P (M) B12 TYPE(Without SR) |

- MATERIAL :
 - 1-1. HOUSING : NYLON46 UL94V-0 ; COLOR : BLACK
 - 1-2. CONTACT : PHOSPHOR BRONZE
 - 1-3. INSERT : PBT UL94V-0 ; COLOR : BLACK
 - 1-4. METAL UP COVER : STAINLESS STEEL
 - 1-5. METAL DOWN COVER : STAINLESS STEEL
 - 1-6. PLASTIC COVER : NYLON
- FINISH :
 - 2-1. CONTACT : CONTACT AREA :5u" MIN GOLD PLATE
 - SOLDER AREA : TIN
 - UNDER PLATE : NICKEL
- ELECTRICAL SPECIFICATION :
 - 3-1. Rated current : 0.5A
 - 3-2. Voltage :125V
- Environmental :
 - 4-1. Operation Temperature : -20 ℃~85℃

| | | | | | | | | | | | | | |
|-------|------------|-------|---------|-------|-----|--|--|--|----------|-------------|---------|--------|------------------|
| DRAWN | Emily Suen | APP'D | Ku Chou | UNIT | mm | TOLERANCE | | | TITLE | SEE TABLE A | | | SHEET |
| CHK'D | Emily Suen | | | SCALE | 1:1 | .x ±0.20 .xx ±0.10 .xxx ±0.05 .xxxx ±0.03 ANGULA ±1° | | | PART NO. | SEE TABLE A | DWG NO. | QC0697 | 1/2 VERSION B |