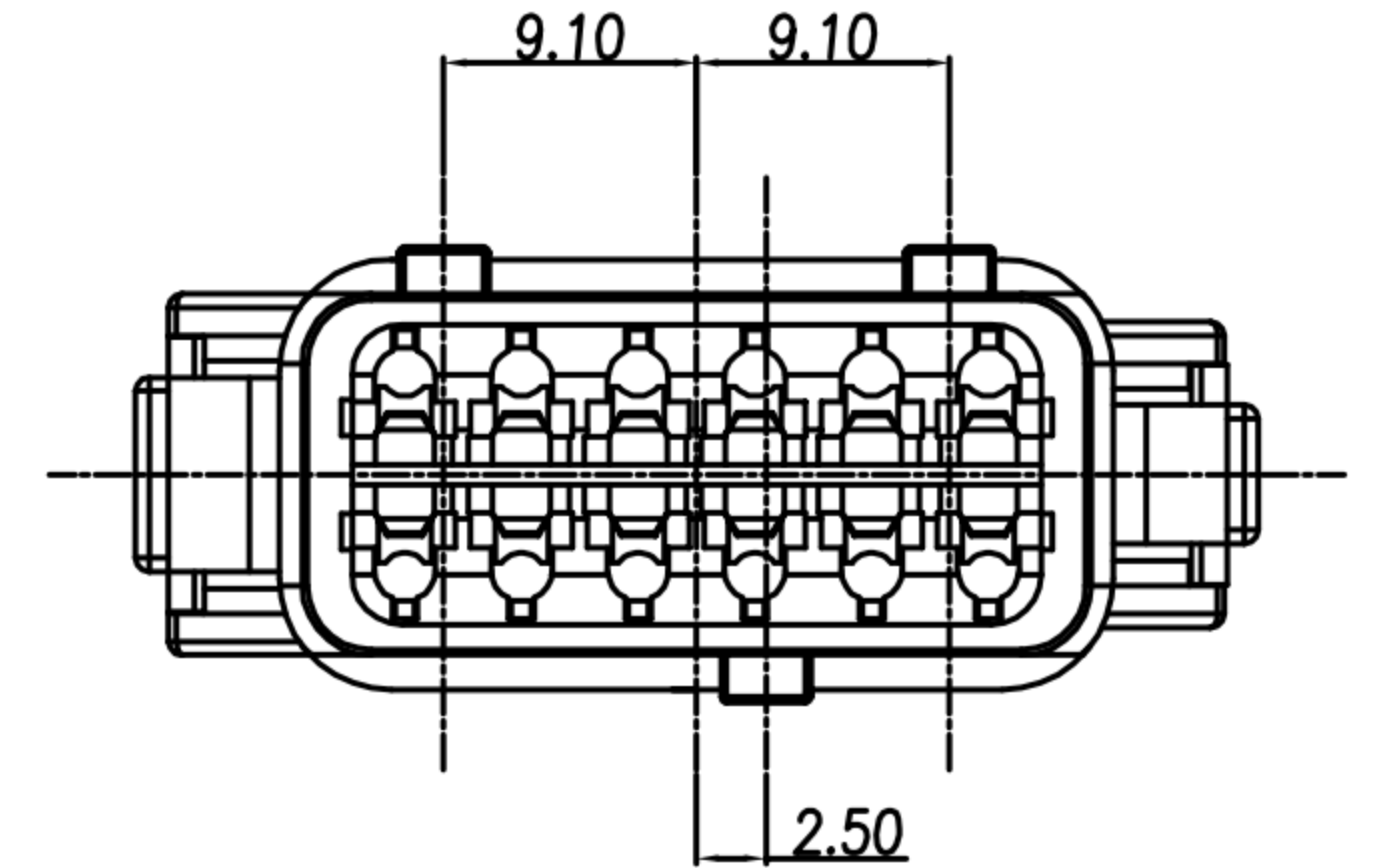
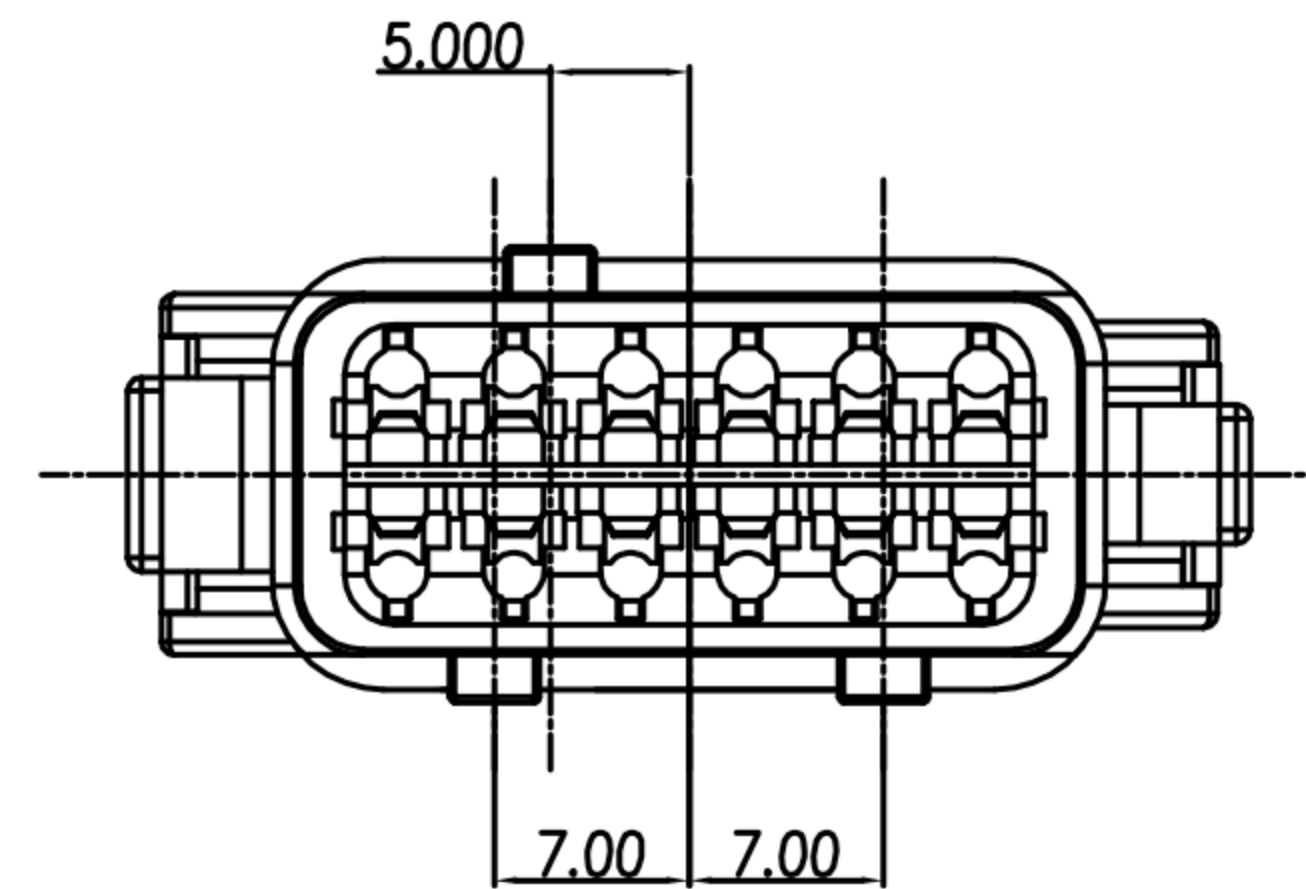
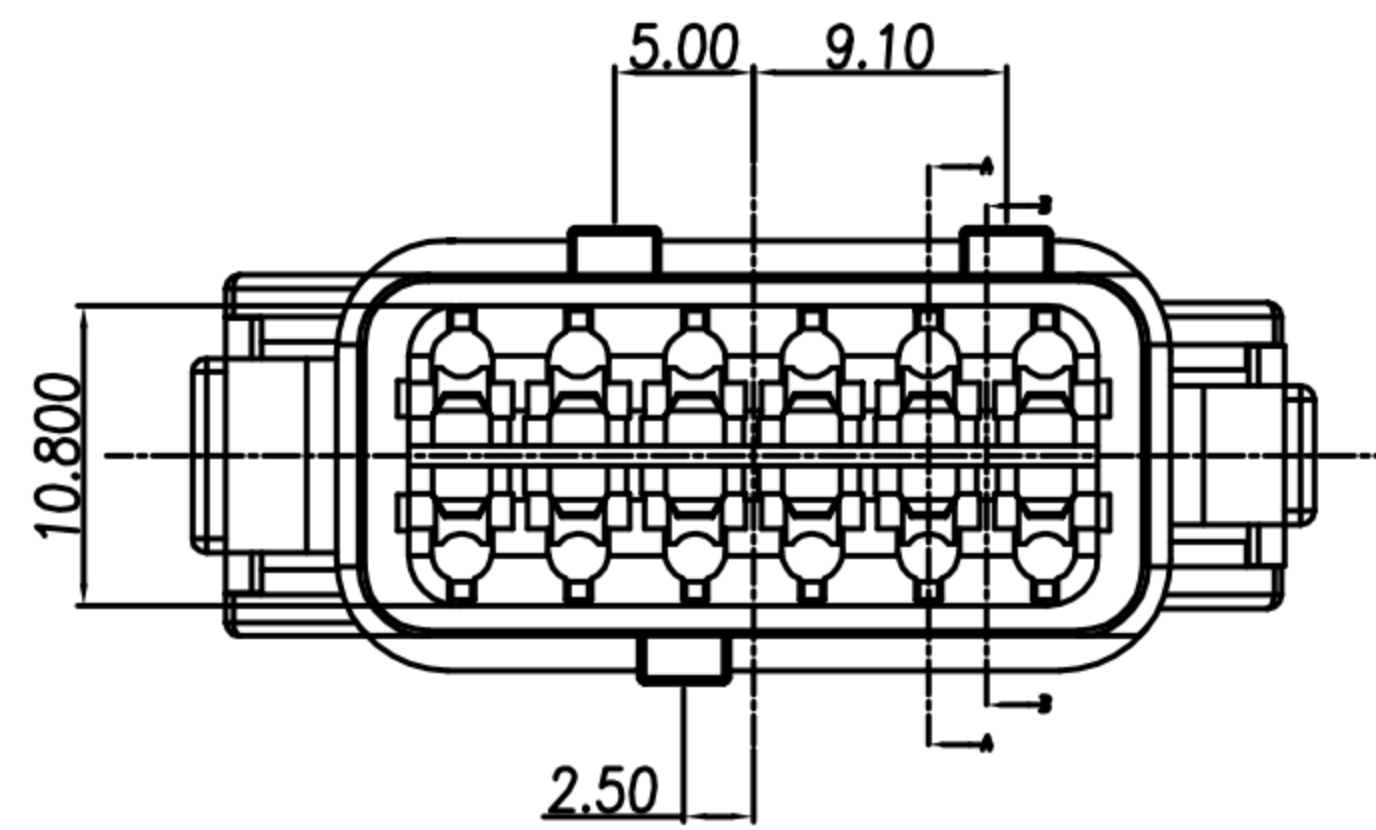
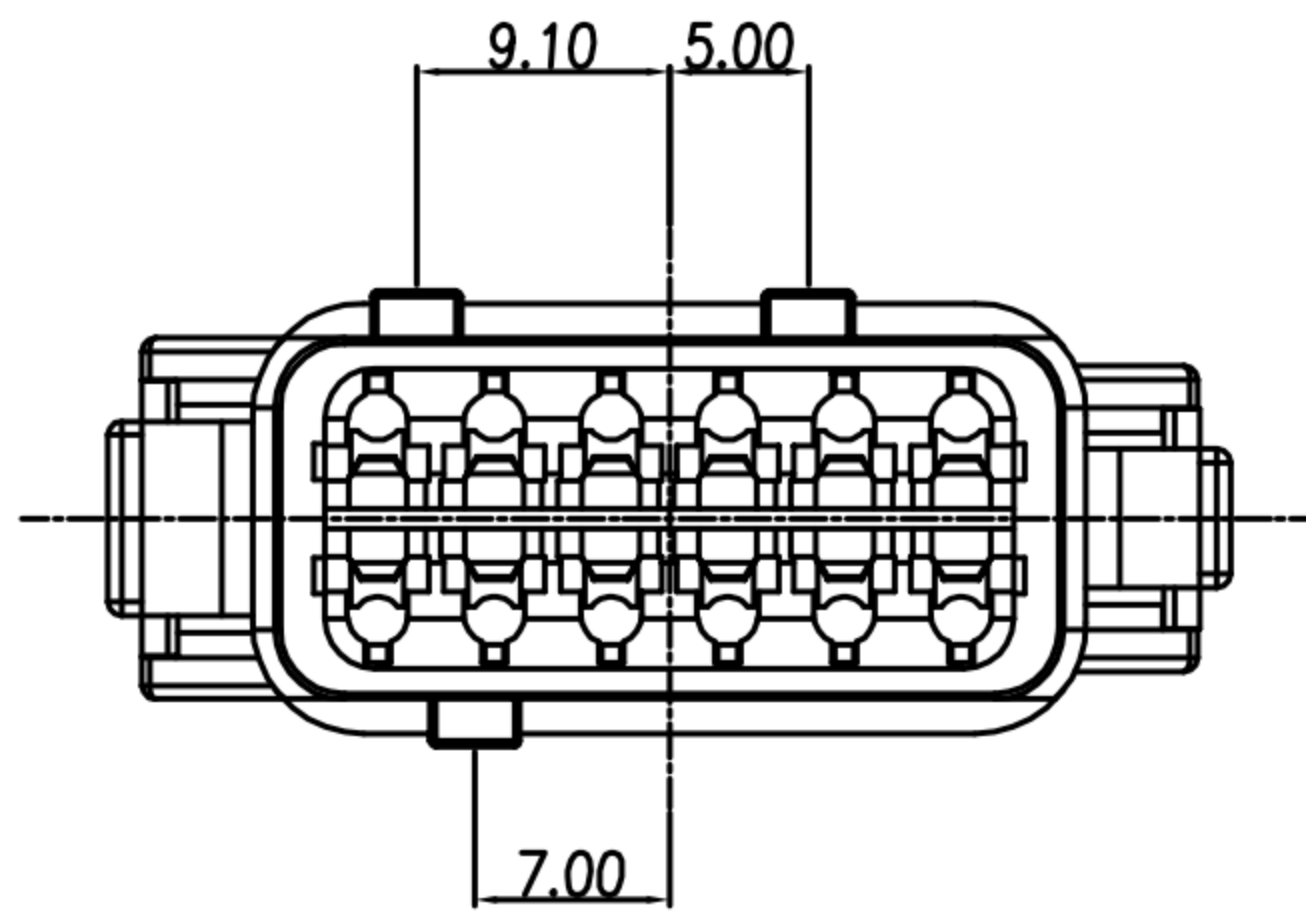
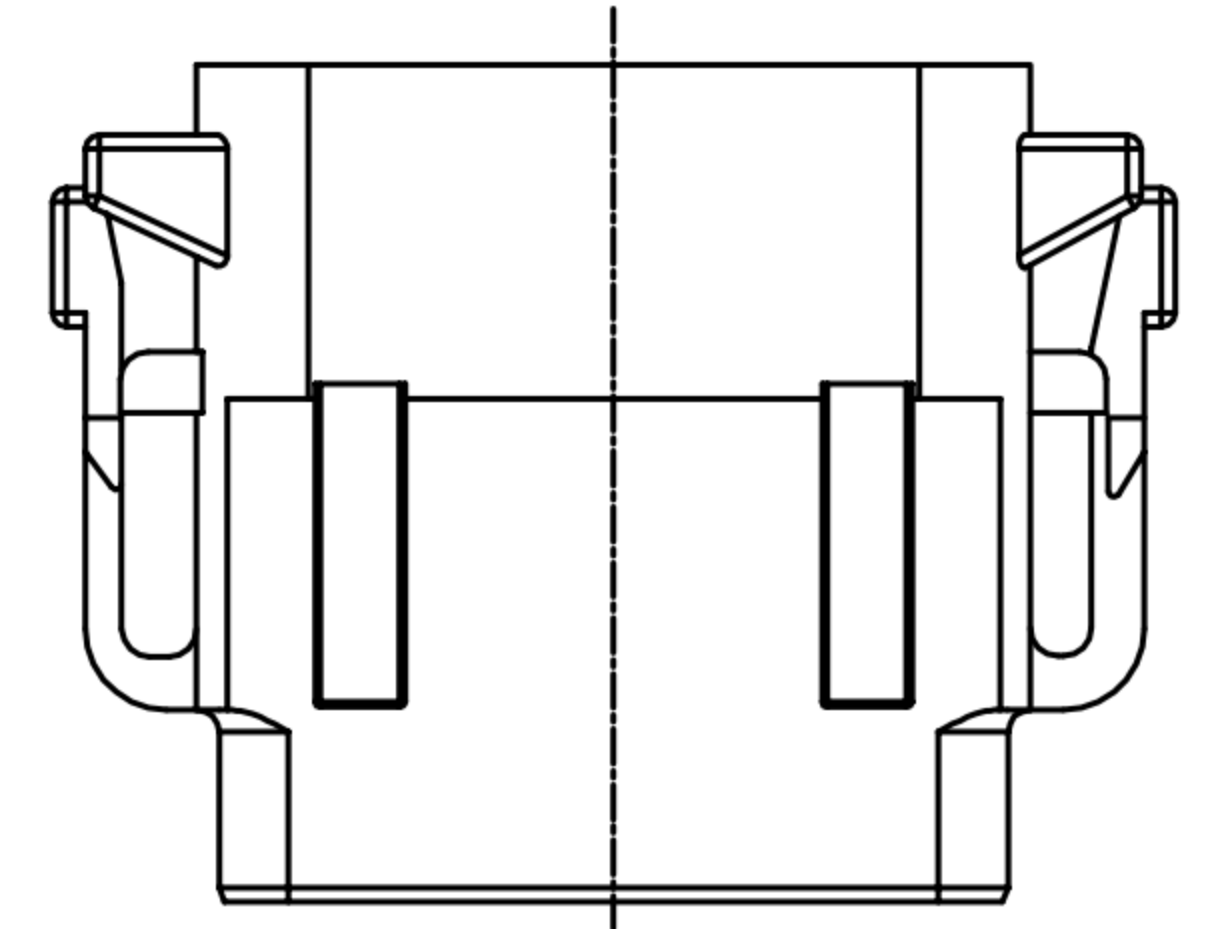
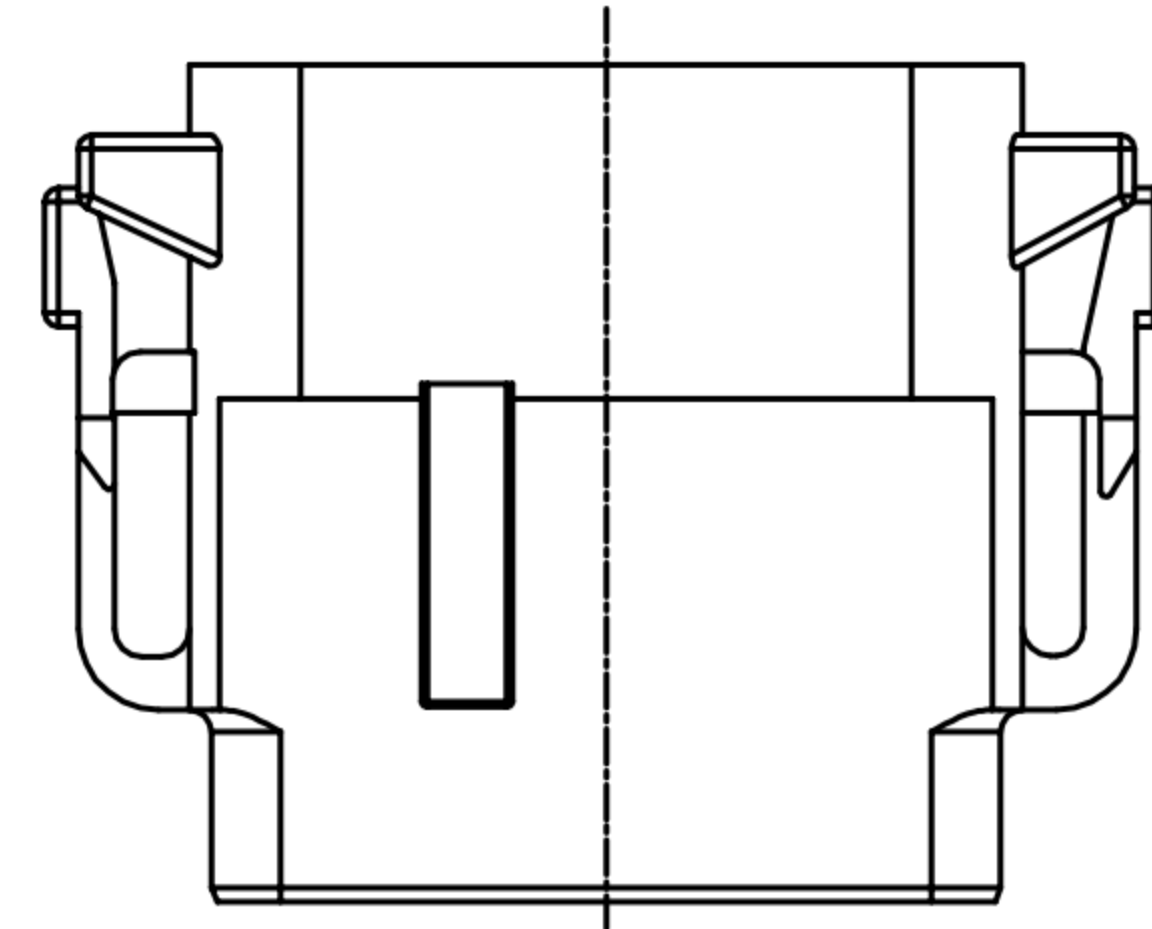
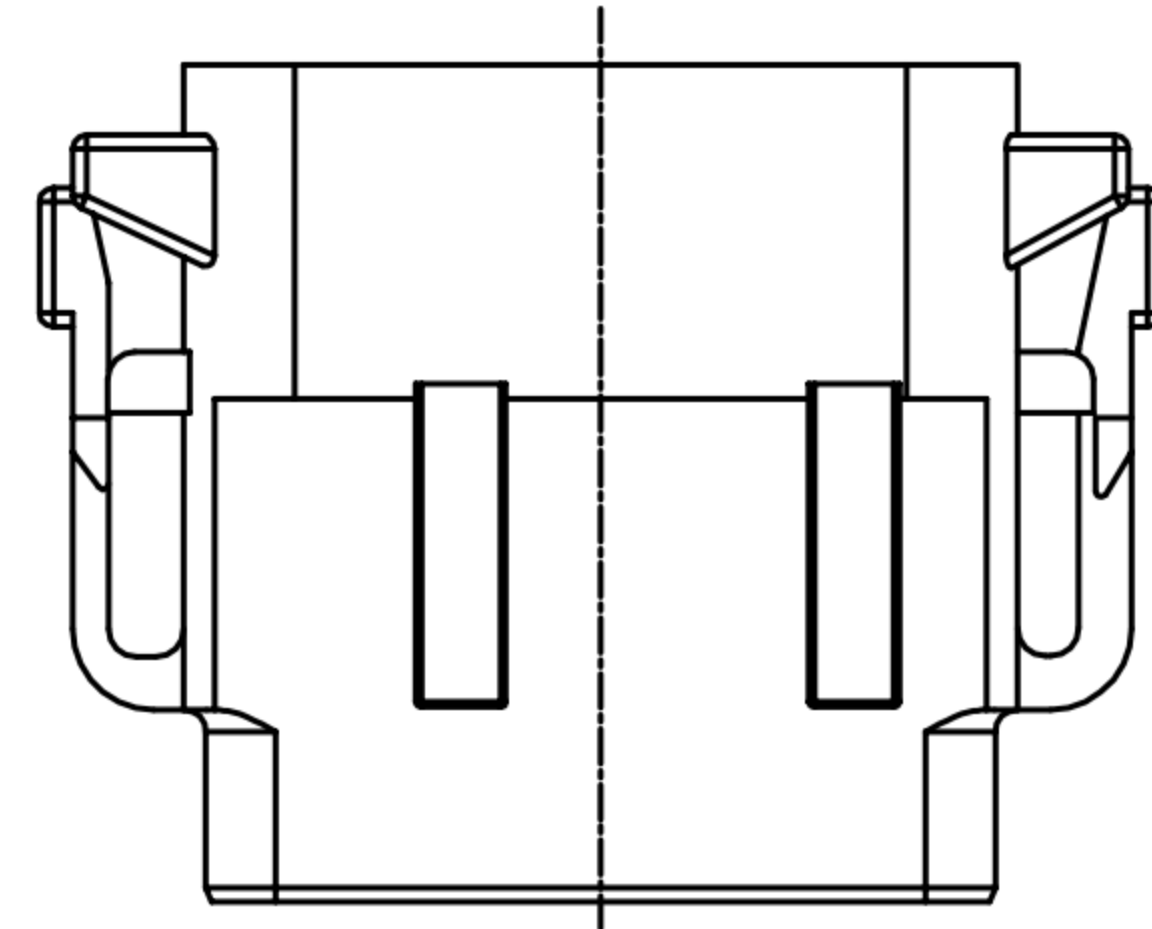
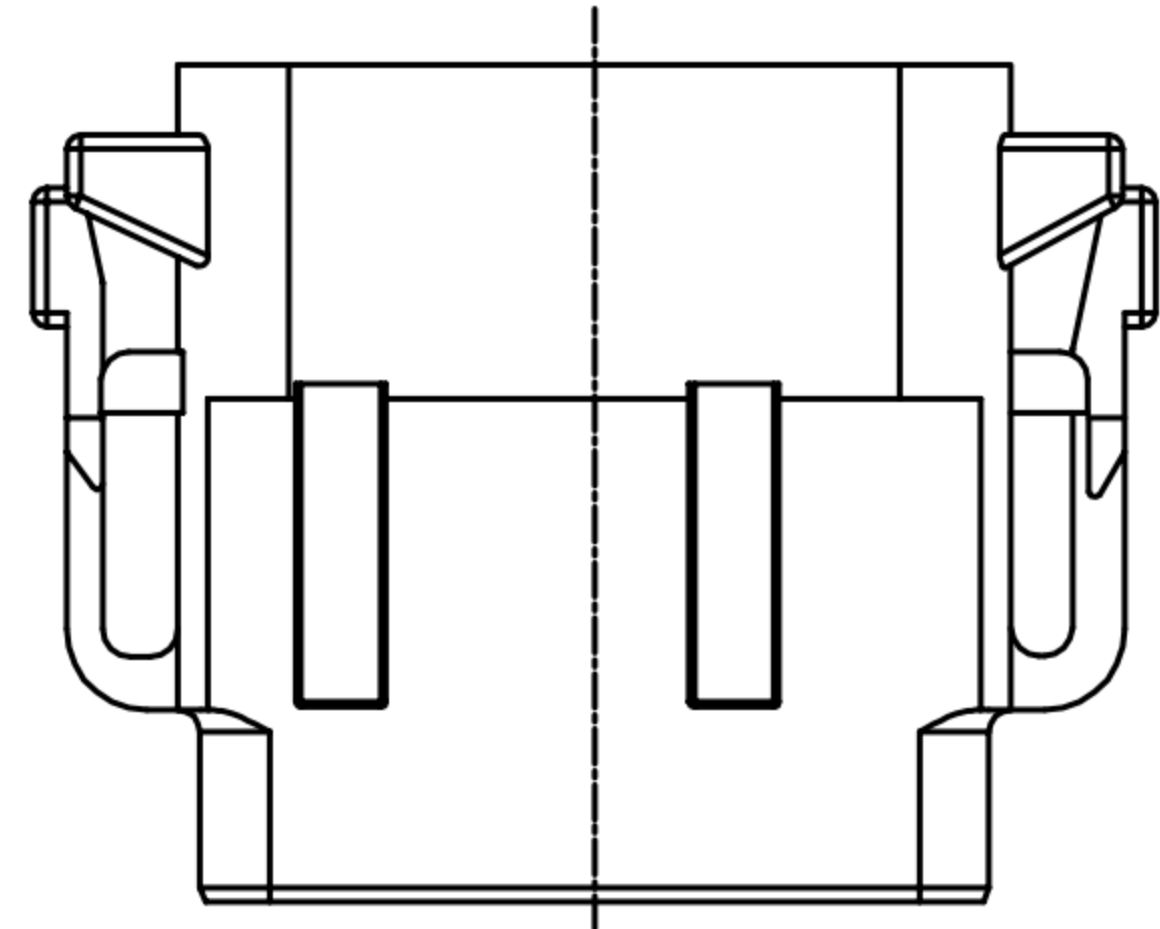


CUSTOMER DRAWING

REV.	DESCRIPTION	APPROVED BY	DATE	ECN NO.
△A	RELEASE	KU Chou	02/05/18*	
△B				
△C				



KEY A  
 COLOR: GRAY  
 WP-12F2-20-01

KEY B  
 COLOR: BLACK  
 WP-12F2-21-01

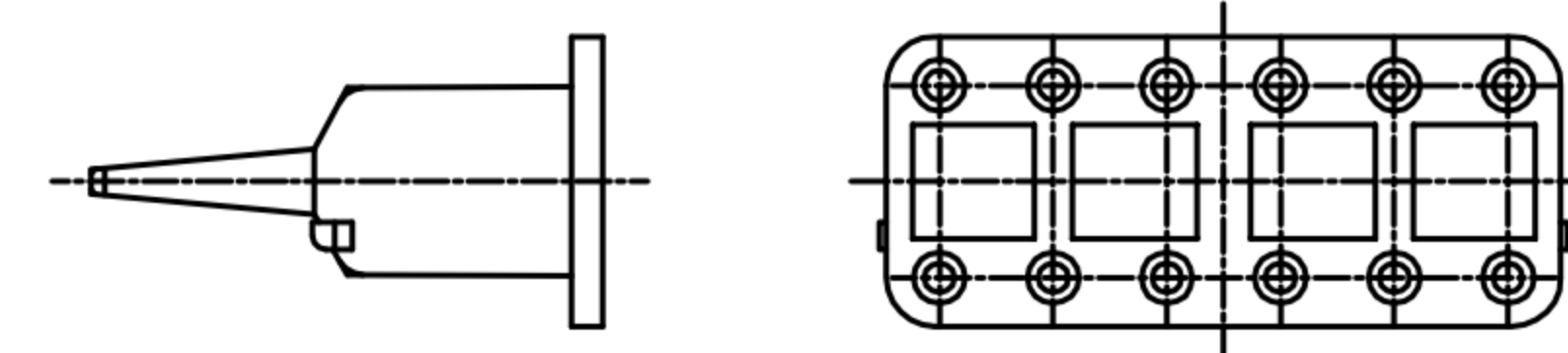
KEY C  
 COLOR: GREEN  
 WP-12F2-22-01

KEY D  
 COLOR: BROWN  
 WP-12F2-23-01

DRAWN	Yeh Chou	APP'D	KU Chou	UNIT	mm	TOLERANCE		广东科斯达电子科技有限公司 GUANG DONG KE SI DA ELECTRONIC TECHNOLOGY CO., LTD.	TITLE	WP 12P SIZE 20 DTM SERIES			SHEET	2
CHK'D	KU Chou			SCALE	1:1	.x ±0.10 .xx ±0.05 .xxx ±0.03 .xxxx ±0.01 ANGULA ±1°			PART NO.	SEE TABLE A	DWG NO.	QC8465	VERSION	A

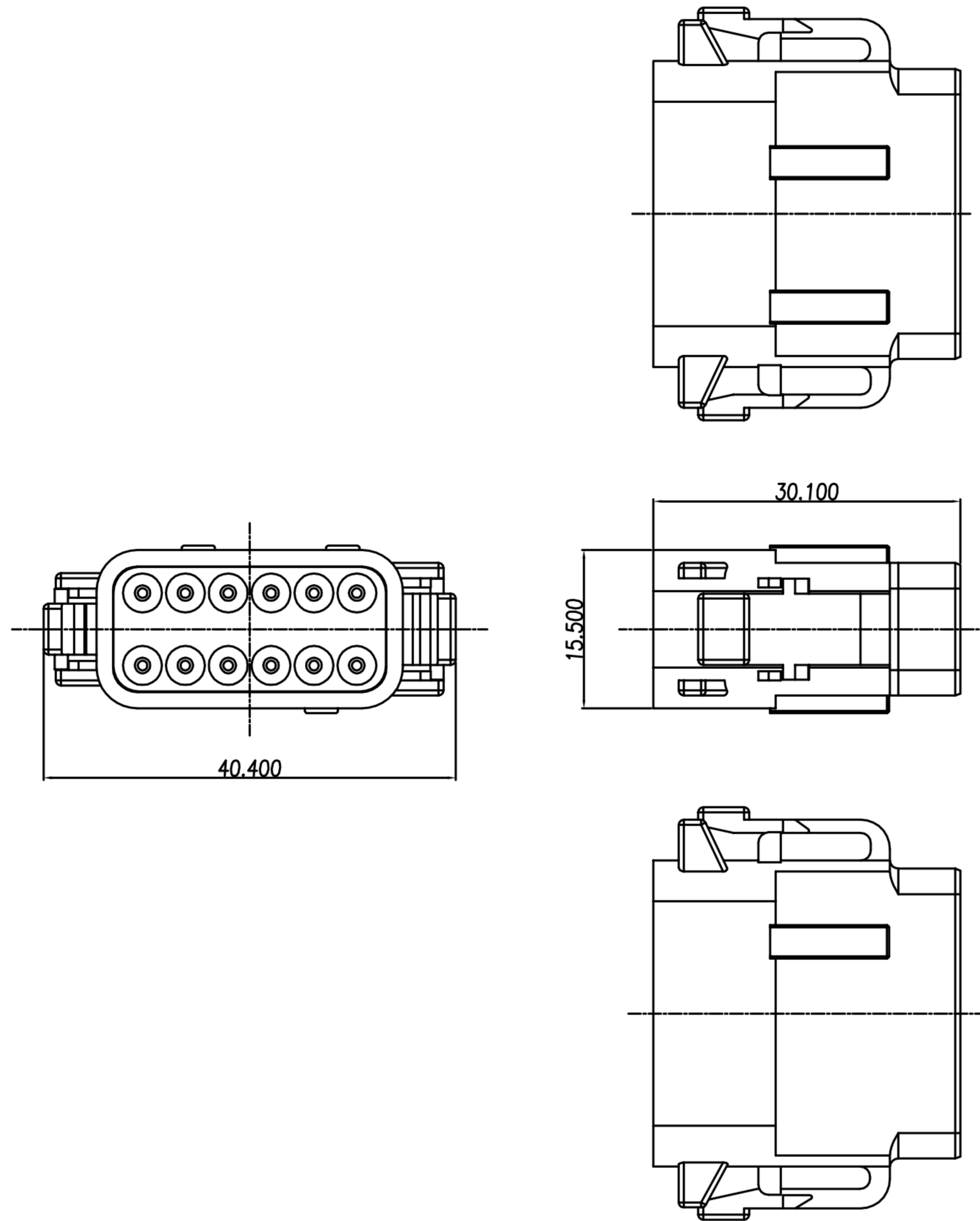
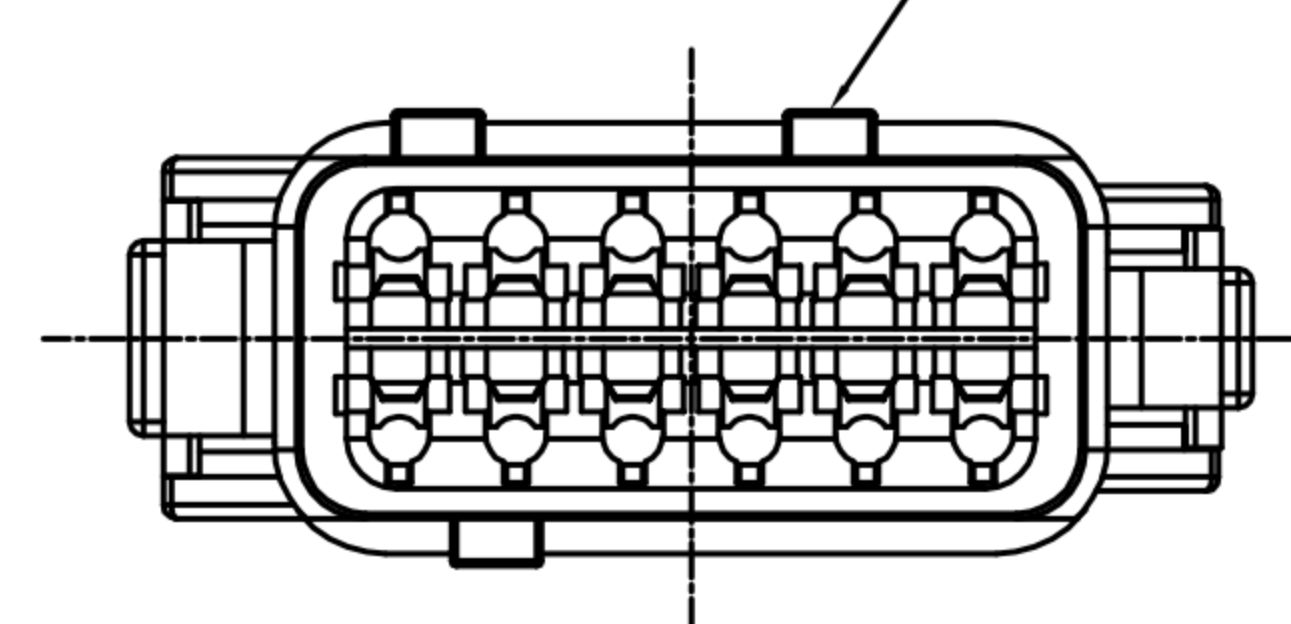
CUSTOMER DRAWING

REV.	DESCRIPTION	APPROVED BY	DATE	ECN NO.
△A	RELEASE	Yeh Chou	02/05/18*	
△B				
△C				



Wedgelock

KEYWAY 3PL



NOTE :

1. HOUSING : PA66, UL94V-0; COLOR: SEE TABLE
2. GROMMET : SILICONE; COLOR: ORANGE
3. WEDGELOCK : PBT ; COLOR: ORANGE

DRAWN	Yeh Chou	APP'D	KU Chou	UNIT	mm	TOLERANCE		广东科斯达电子科技有限公司 GUANG DONG KE SI DA ELECTRONIC TECHNOLOGY CO., LTD.	TITLE	WP 12P SIZE 20 DTM SERIES			SHEET	1/2
CHK'D	KU Chou			SCALE	1:1	.x ±0.10 .xx ±0.05 .xxx ±0.03 .xxxx ±0.01 ANGULA ±1°			PART NO.	SEE TABLE A	DWG NO.	QC8465	VERSION	A