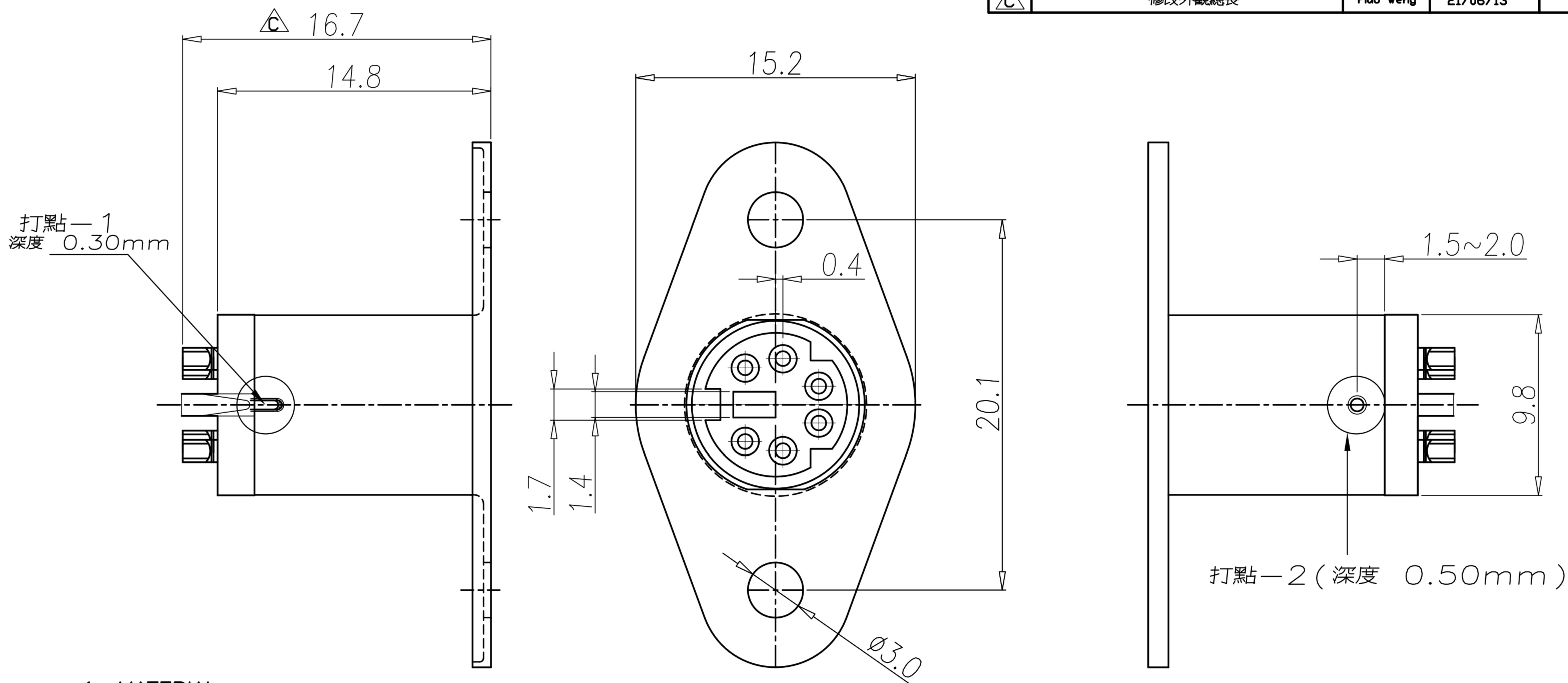


CUSTOMER DRAWING

REV.	DESCRIPTION	APPROVED BY	DATE	ECN NO.
A	RELEASE	Fido Weng	06/11/09'	
B	CHANGE DIM.	Emily Suen	26/07/11'	ECN11040
C	修改外觀總長	Fido Weng	21/06/13'	



1. MATERIAL :
 - 1-1. HOUSING : PBT UL94V-0 ; COLOR : BLACK
 - 1-2. CONTACT : PHOSPHOR BRONZE
 - 1-3. SHELL : BRASS
 - 1-4. SPRING : PHOSPHOR BRONZE
2. FINISH :
 - 2-1. CONTACT : GOLD FLASH PLATED.
UNDER PLATE : NICKEL
 - 2-2. SHELL : NICKEL PLATED
 - 2-3. SPRING : SILVER PLATED

DRAWN	Ku Chou	APP'D	Emily Suen	UNIT	mm	TOLERANCE .x ±0.20 .xx ±0.10 .xxx ±0.03 .xxxx ±0.01 ANGULA ±1°		广东科斯达电子科技有限公司 GUANG DONG KE SI DA ELECTRONIC TECHNOLOGY CO., LTD.	TITLE	MINI DIN 6PIN (F) SOCKET			SHEET	1
CHK'D	Emily Suen			SCALE	1:1				PART NO.	MD-06F1-01	DWG NO.	QC0416	VERSION	C