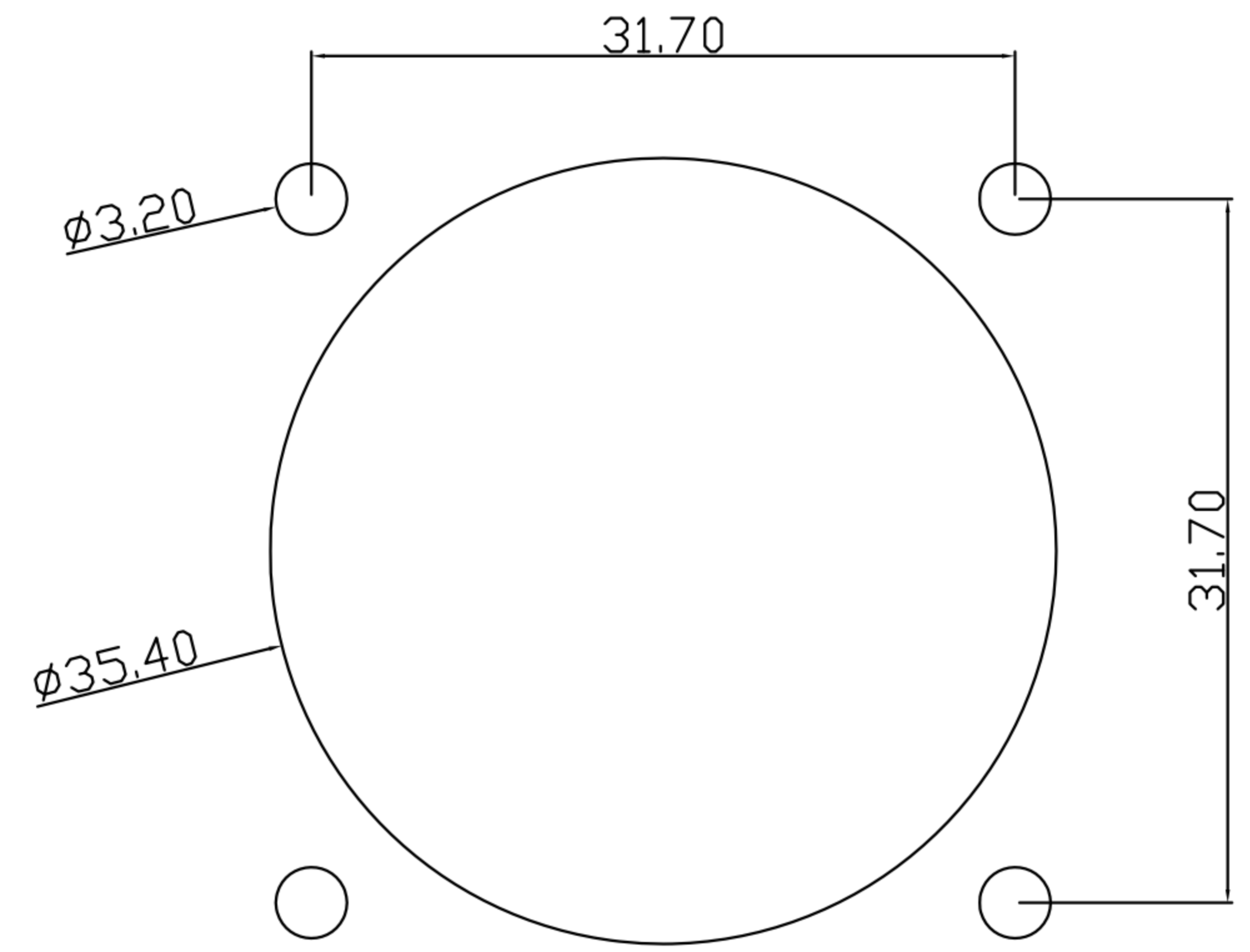


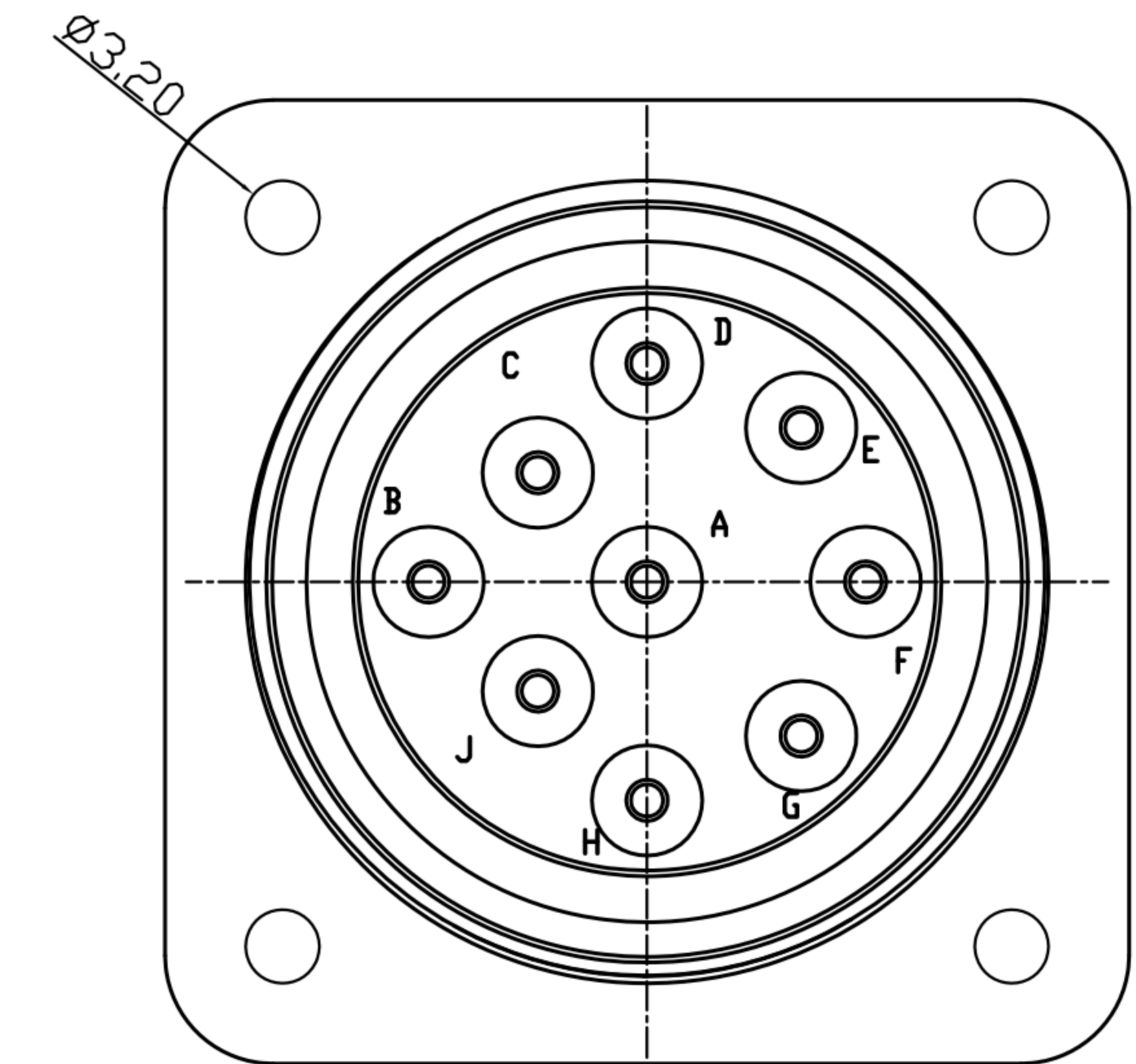
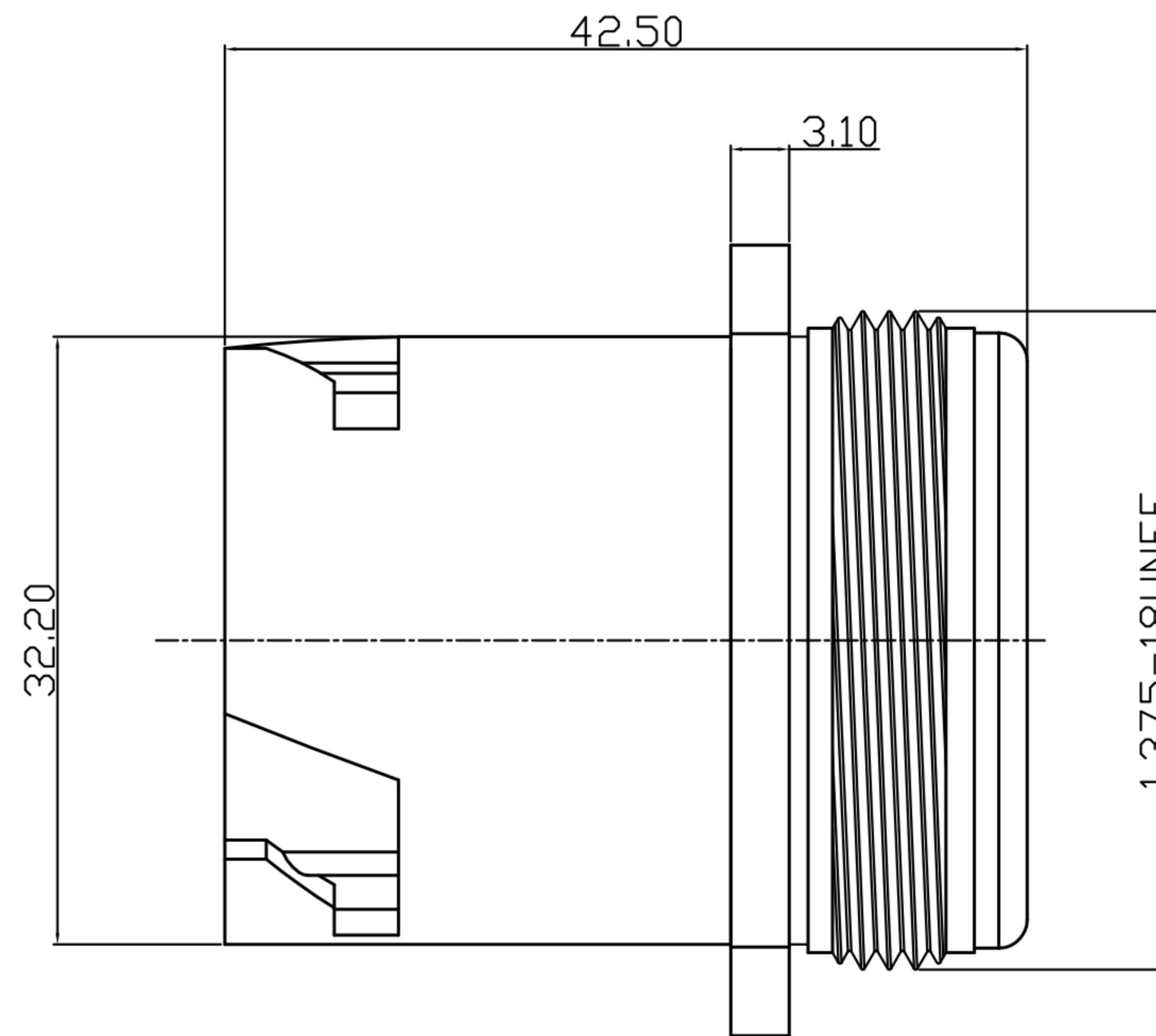
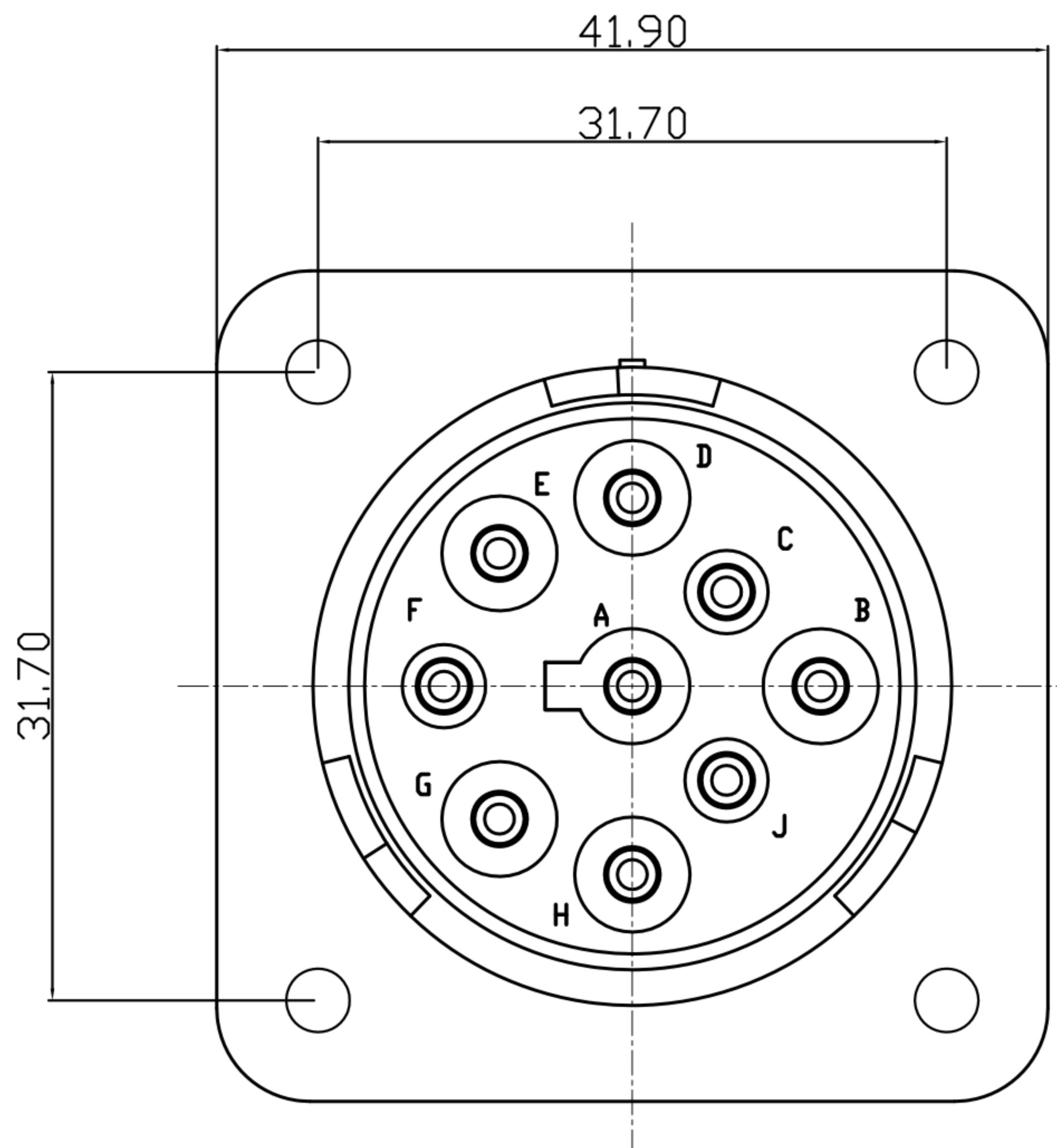
CUSTOMER DRAWING

REV.	DESCRIPTION	APPROVED BY	DATE	ECN NO.
A	RELEASE	EMILY SUEN	2017/06/05	
B				
C				

1. MATERIAL :
 - 1-1. INSULATOR : PA66 ; COLOR : GREEN
 - 1-2. HOUSING : PA66 ; COLOR : BLACK
 - 1-3. REAR COVER : PA66 ; COLOR : GREEN
 - 1-4. RUBBER : SILICONE ; COLOR : ORANGE
2. ELECTRICAL SPECIFICATION :
 - 2-1. Rated current : 13A
 - 2-2. Rated Voltage : 500V
3. Environmental :
 - 3-1. Operation Temperature : -40°~105°



MOUNTING HOLE DETAIL



DRAWN	Yeh Chou	APP'D	Ku Chou	UNIT	mm	TOLERANCE		广东科斯达电子科技有限公司 GUANG DONG KE SI DA ELECTRONIC TECHNOLOGY CO., LTD.	TITLE	防水9PIN (F) 方形四孔(1.375-18UNEF)(绿色)			SHEET	1
CHK'D	Yeh Chou			SCALE	1:1	.x ±0.10 .xx ±0.05 .xxx ±0.03 .xxxx ±0.01 ANGULA ±1°			PART NO.	WP-09F2-12-11	DWG NO.	QC7823	VERSION	A