

CUSTOMER DRAWING

REV.	DESCRIPTION	APPVL. BY	DATE	ECN NO.
A	RELEASE	Fido Weng	08/03/09'	
B				
C				

步驟一:

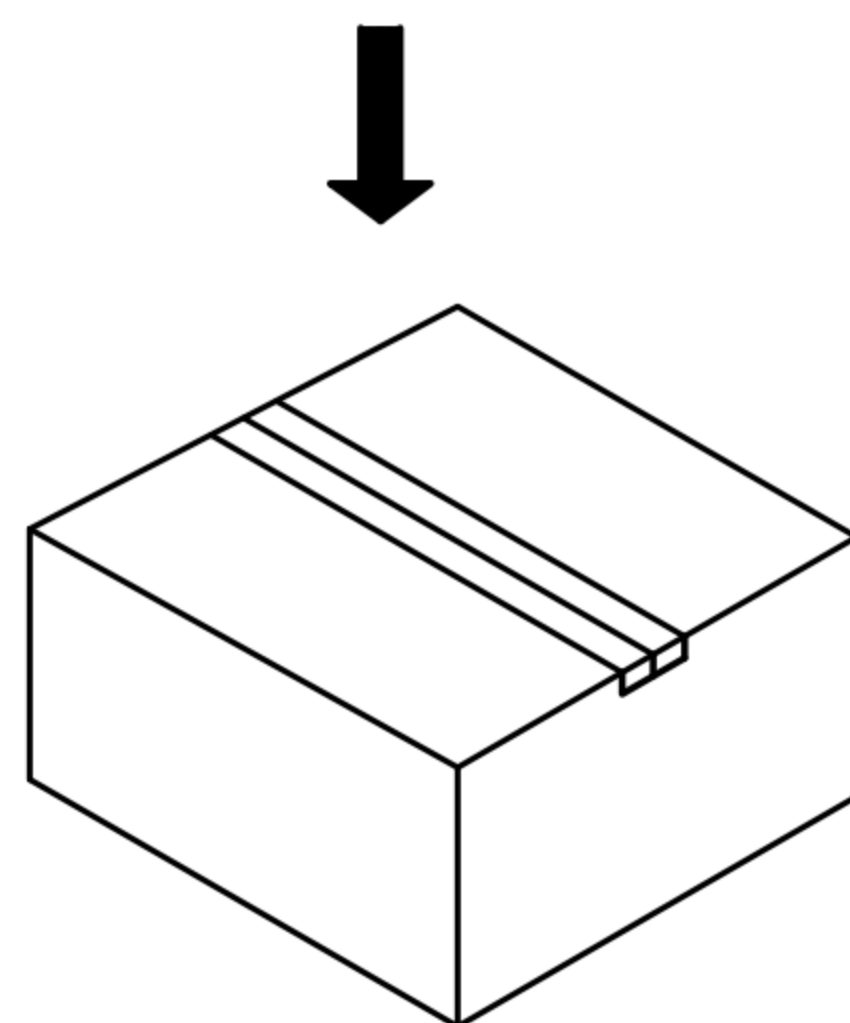
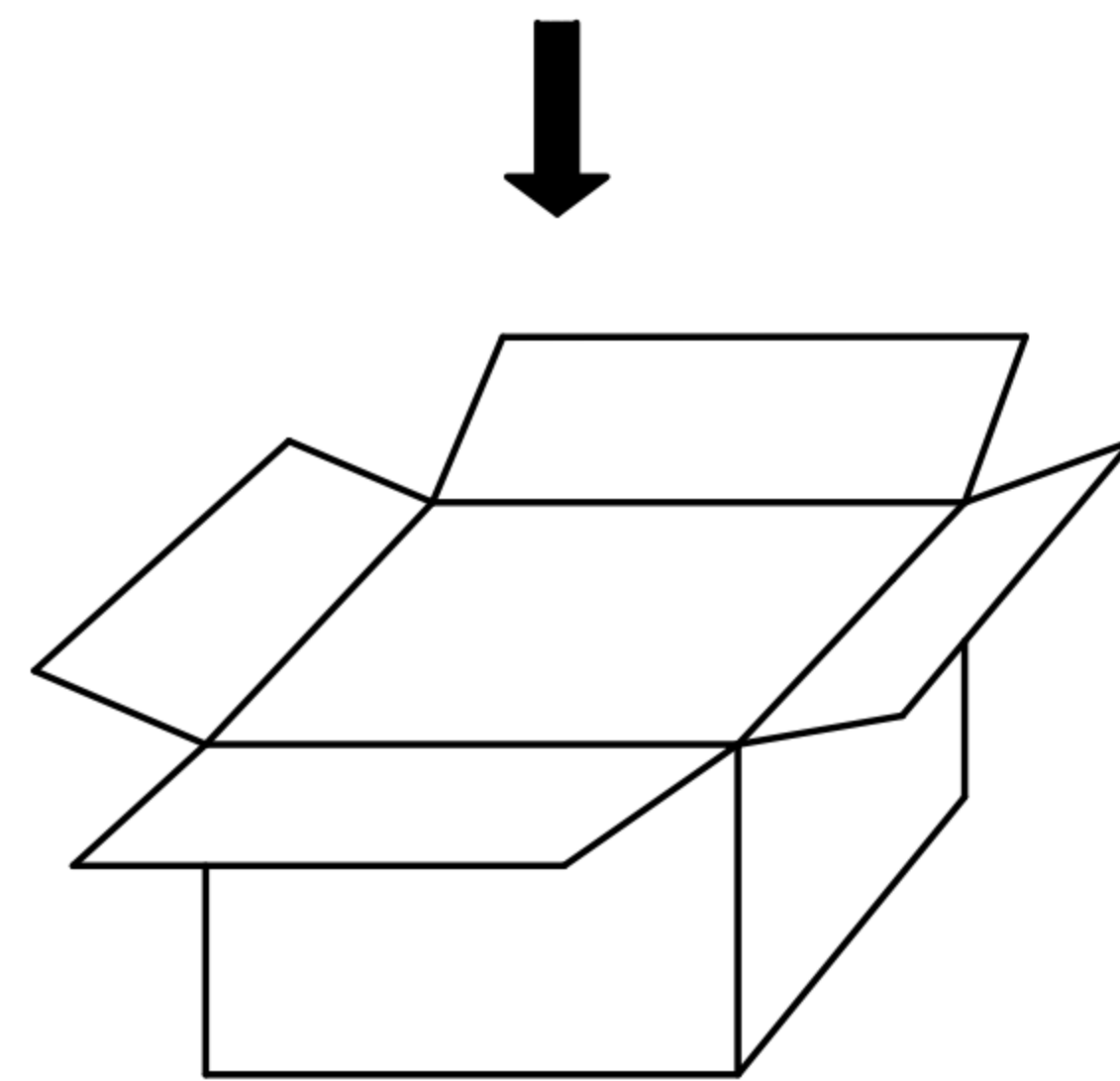
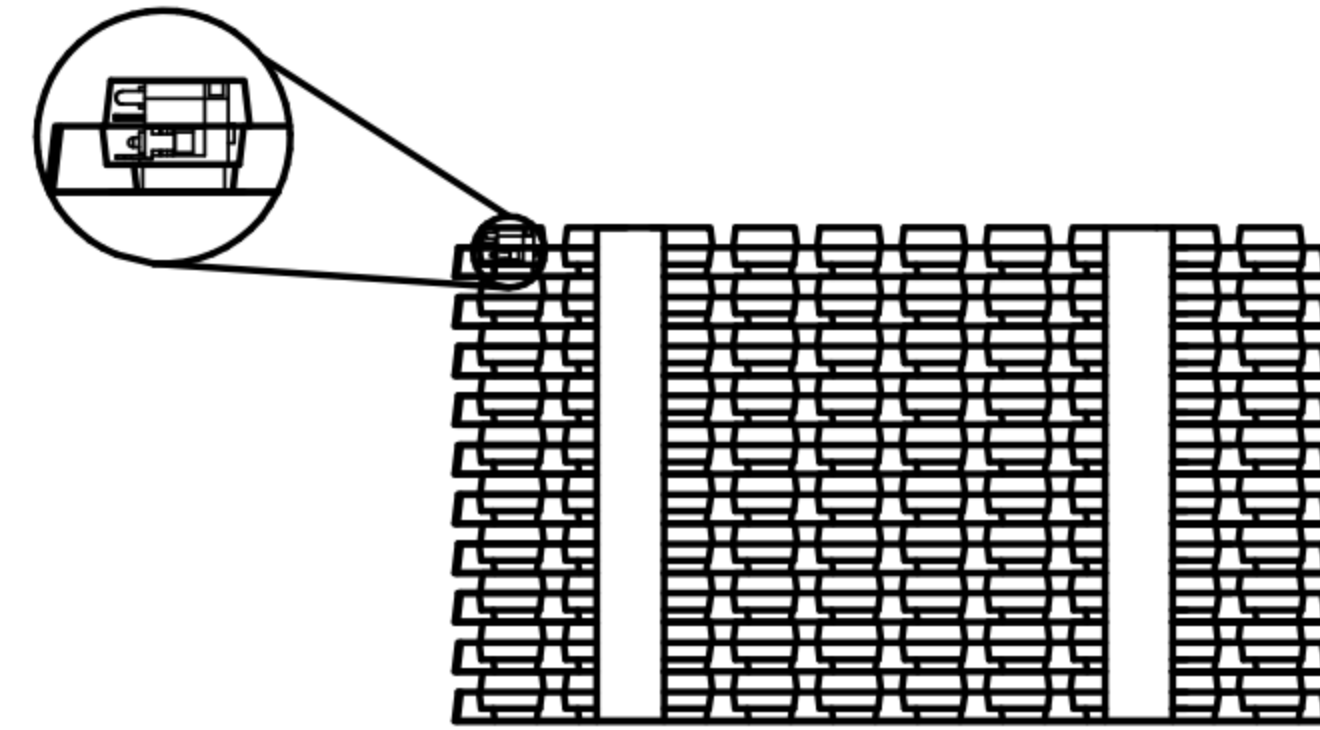
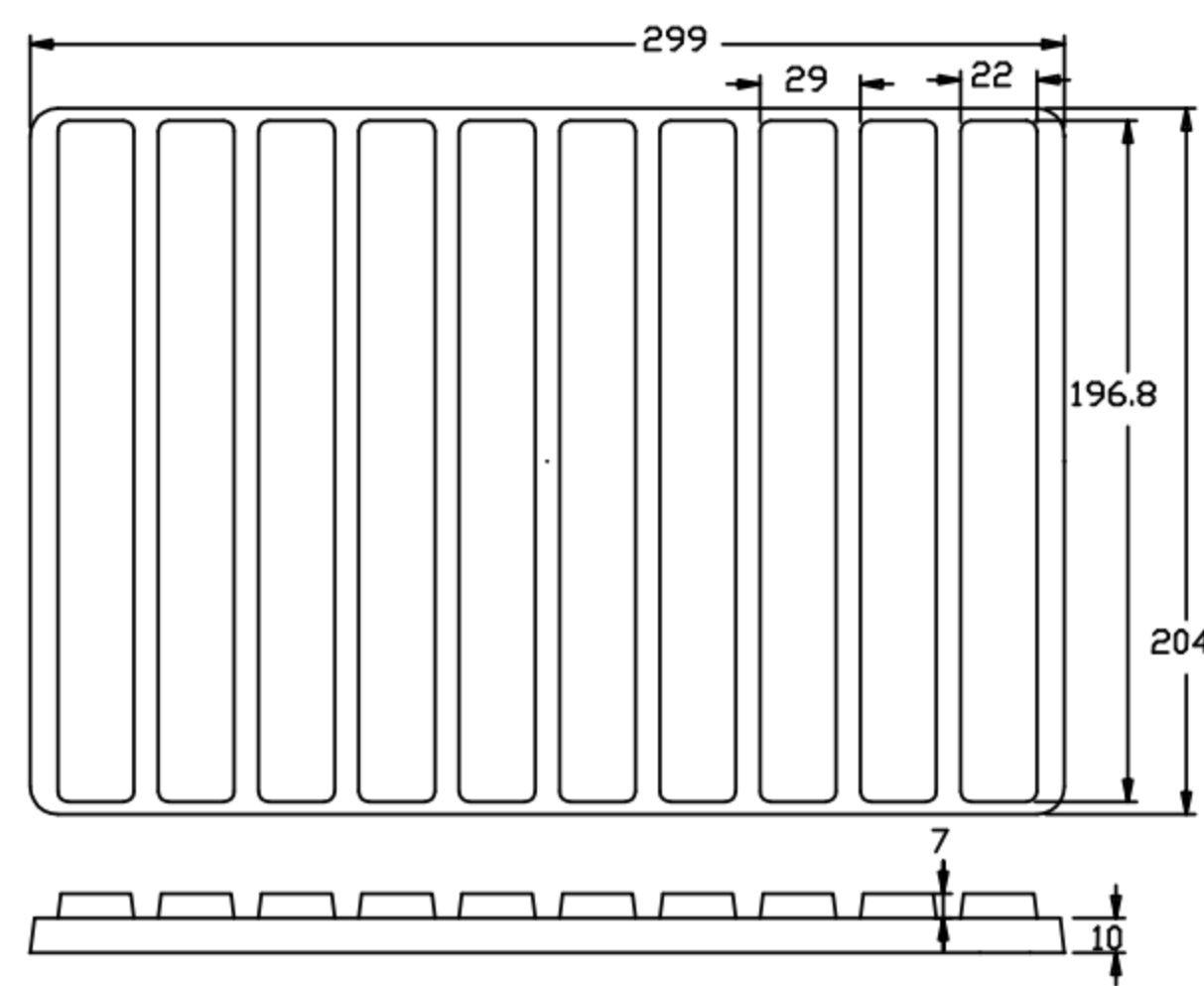
1. 將成品一一放入包裝盤內, 依同一方向置入.
2. 包裝方式, 如圖所示.
3. 一個包裝盤 100 pcs.

步驟二:

1. 一個紙箱可以裝 10 個包裝盤
2. 每盤 100 pcs, 每箱 1000 pcs.
3. 膠模固定後將包裝盤放紙箱中, 後封箱.

步驟三:

1. 用膠帶將紙箱封實.
2. 將標籤貼於紙箱上.



紙箱

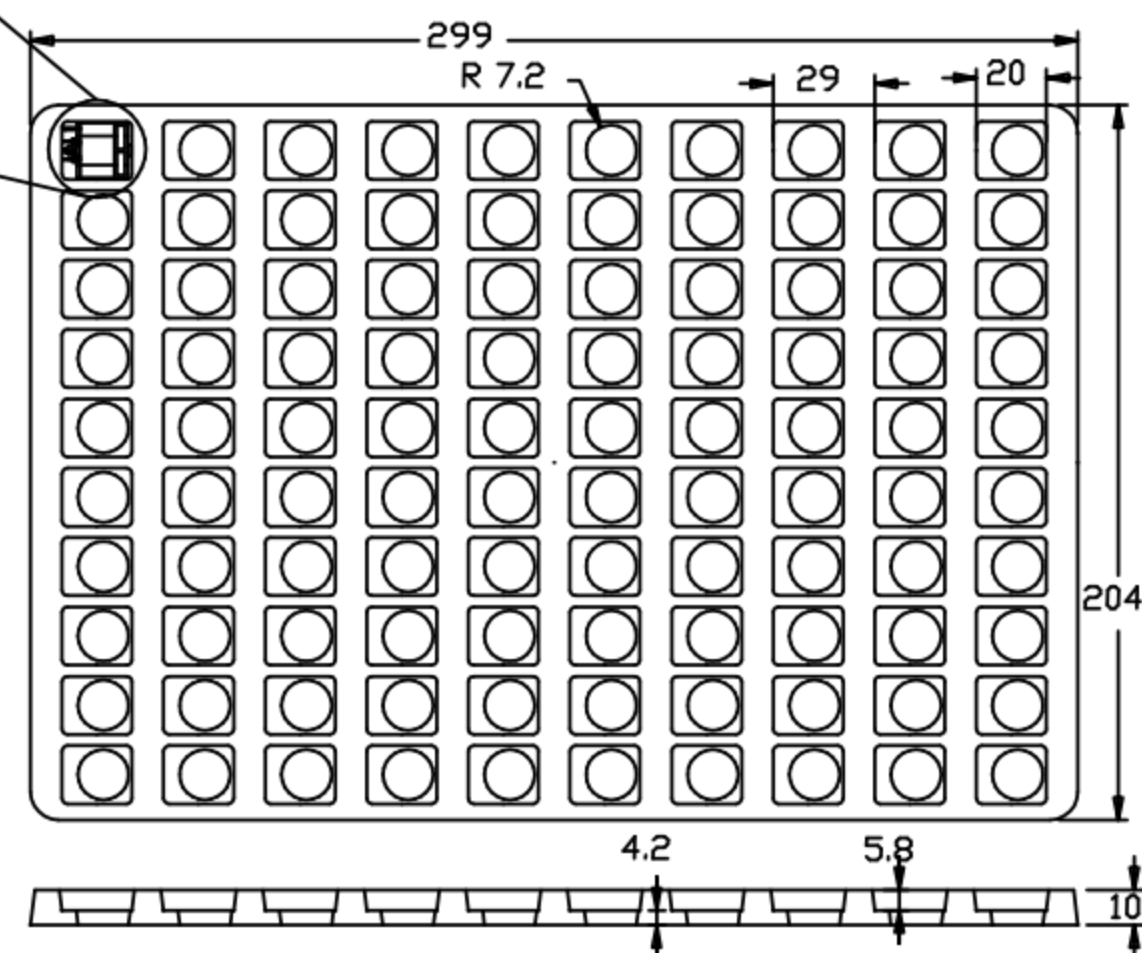
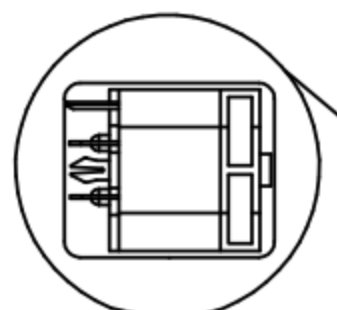
標籤處

ITEM NO:
 QTY: PGS
 N. W. : KG
 G. W. : KG
 MEAS:

C/NO. :

NOTE:

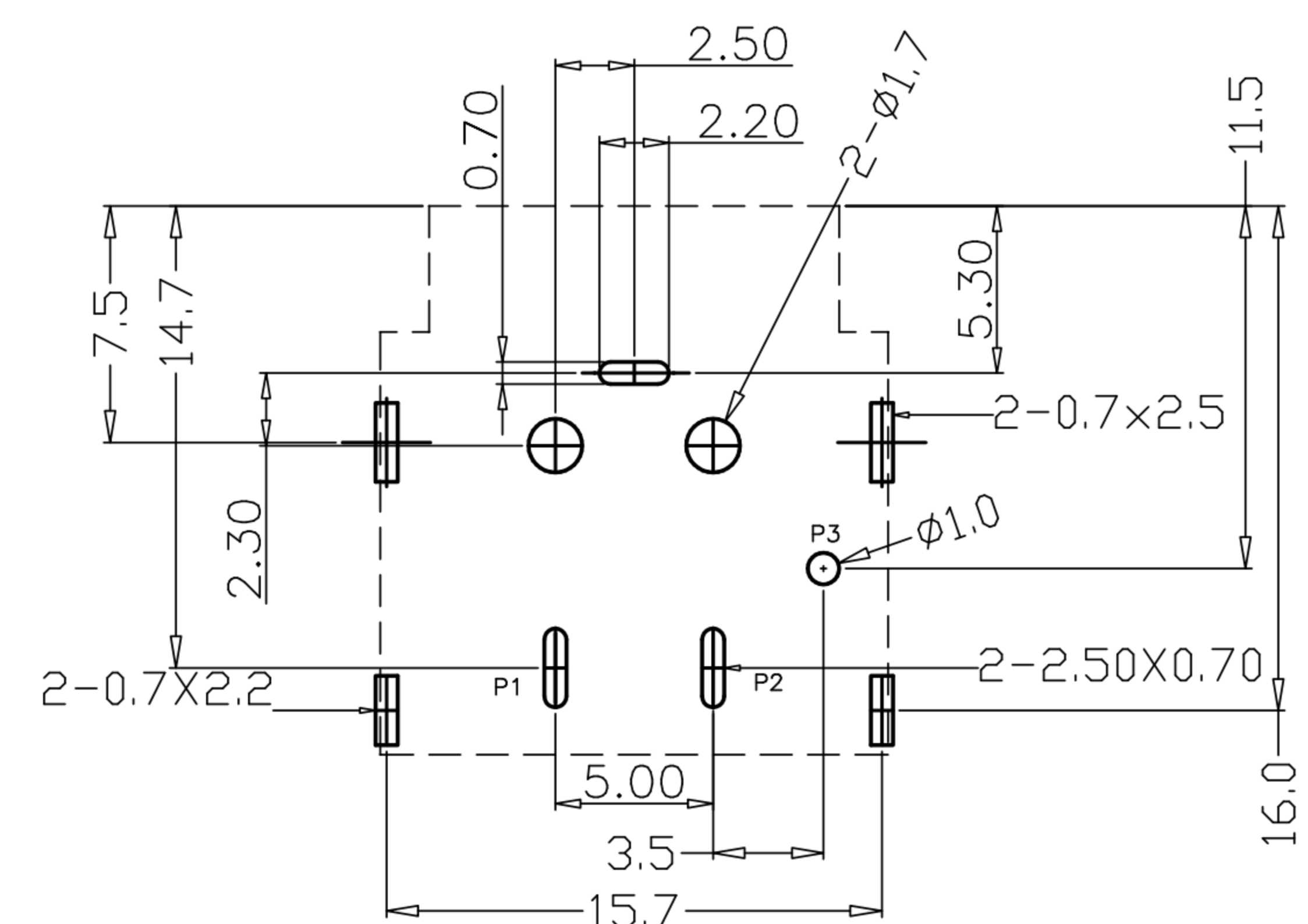
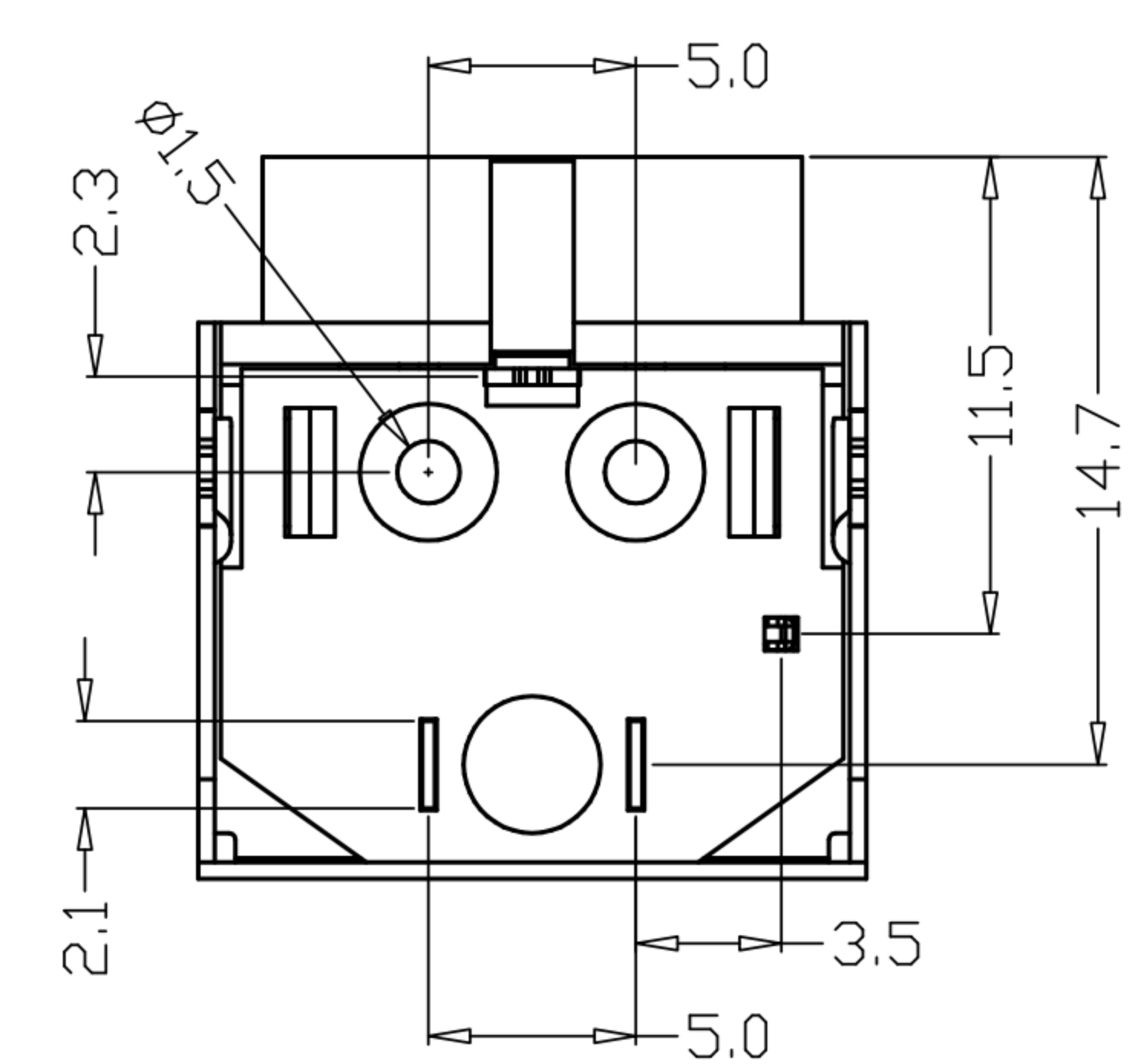
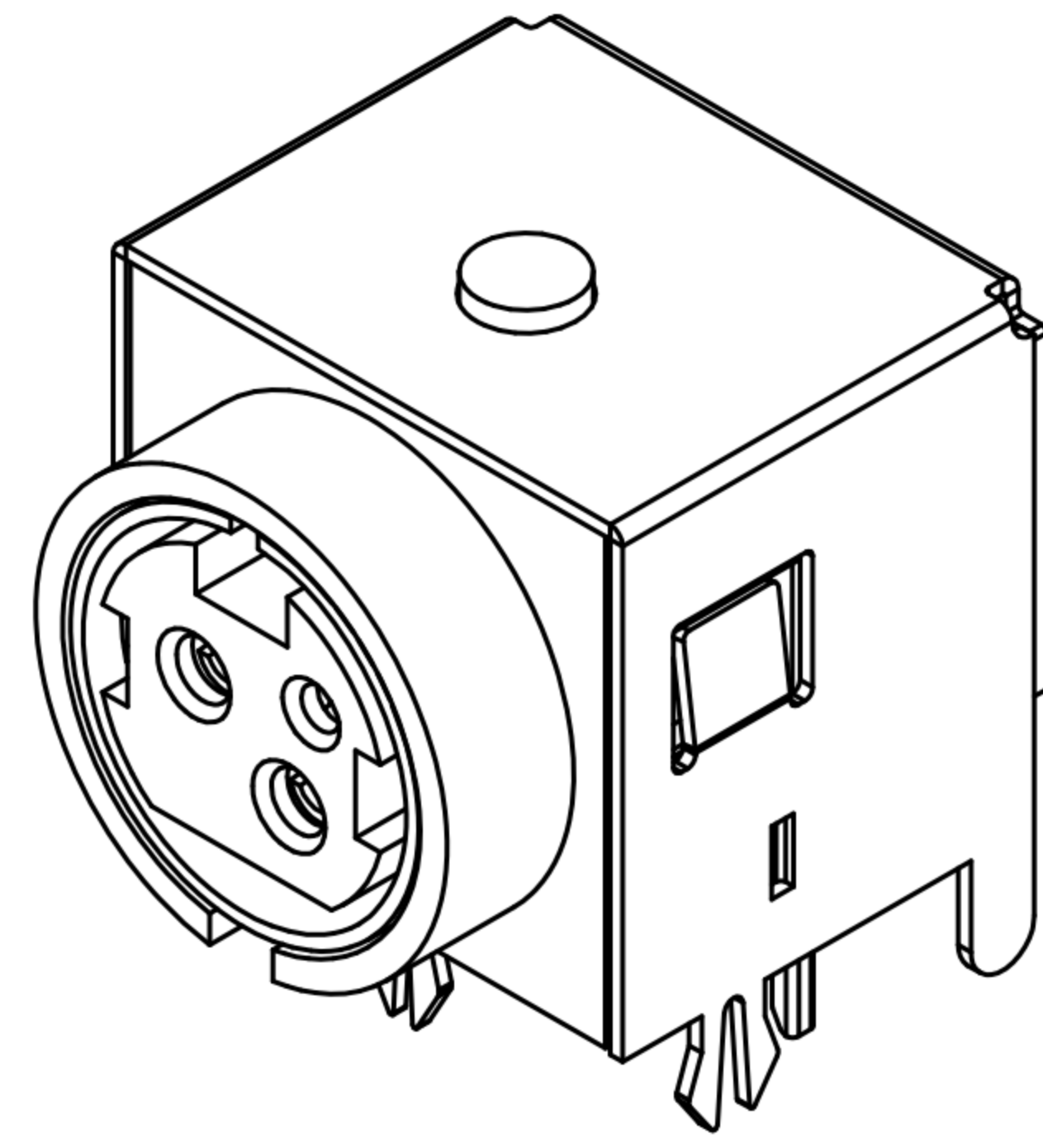
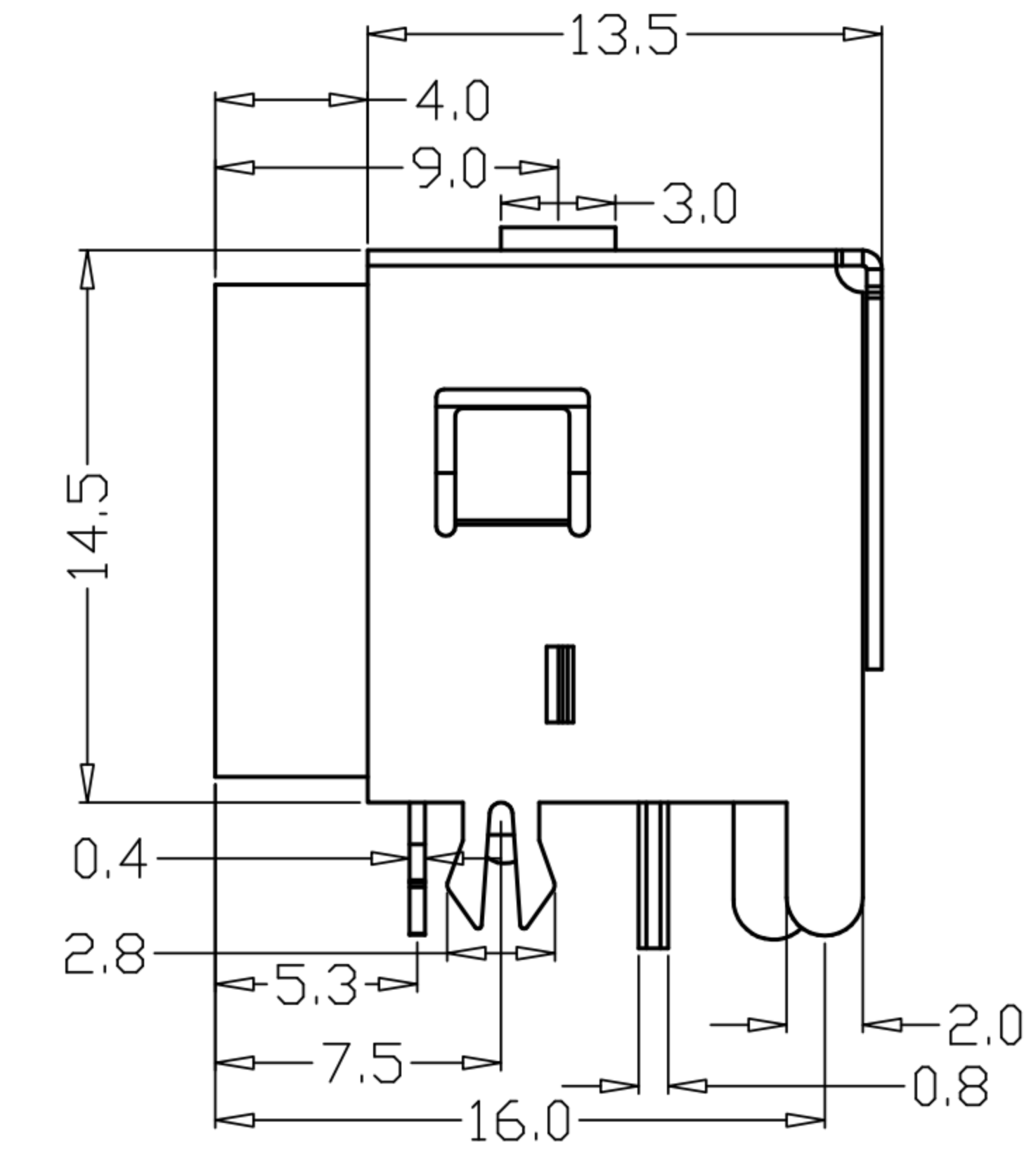
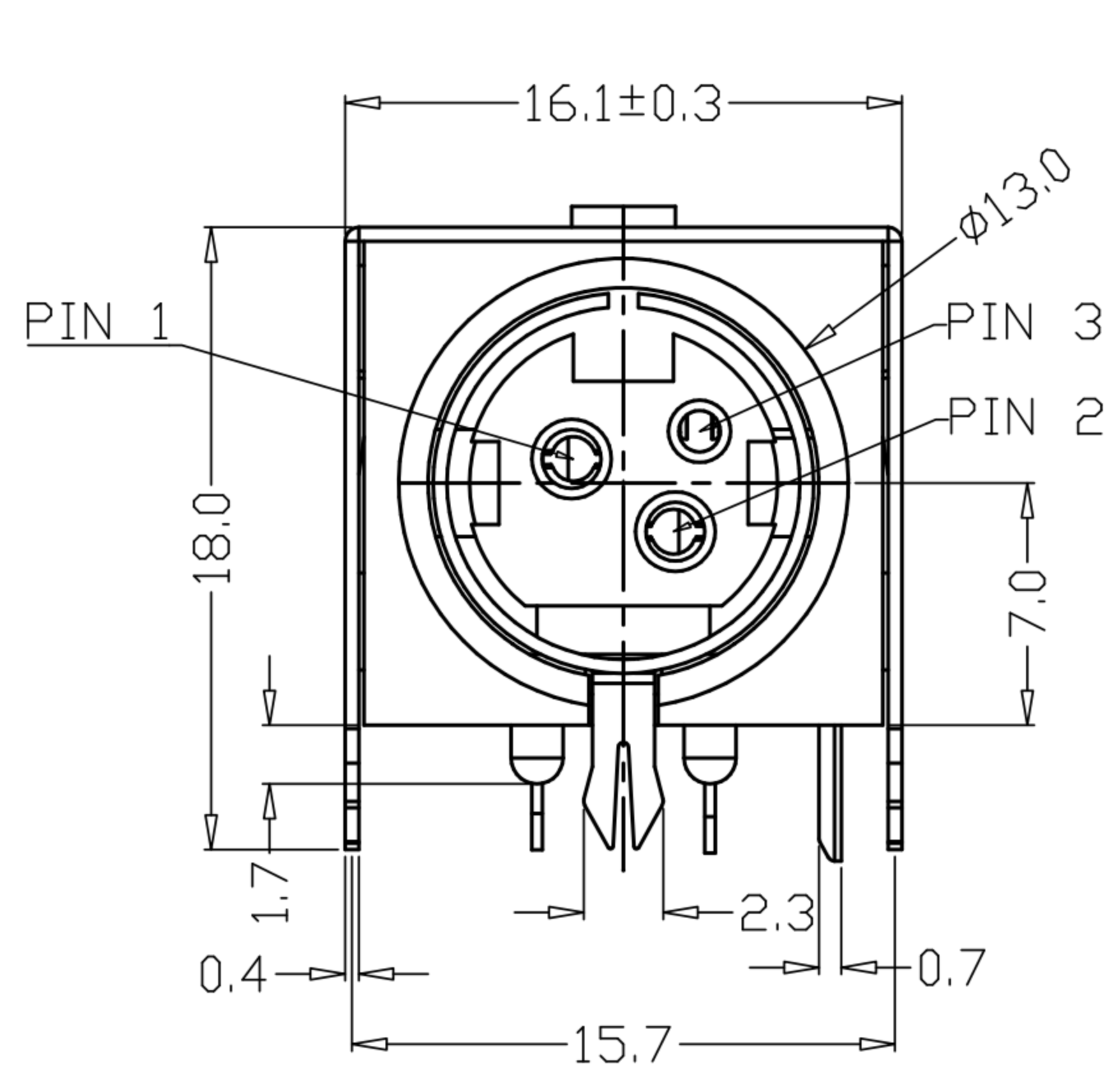
1. 若有未裝滿之零數箱, 必須以緩衝材塞滿.
2. 在搬運過程中要輕拿輕放.
3. 載運輸中不可堆放過多, 不可有重壓現象.



DRAW	Ren Liao	APPVL	Fido Weng	UNIT	mm	TOLERANCE		广东科斯达电子科技有限公司 GUANG DONG KE SI DA ELECTRONIC TECHNOLOGY CO., LTD.	TITLE	PowerDin 3(F)板端DIP加鐵殼			SHEET	
CHECK	Emily Suen			SCALE	1:1				PART NO.	SEE TABLE A	DWG NO.	QC1202	VERSION	

CUSTOMER DRAWING

REV.	DESCRIPTION	APPL. BY	DATE	ECN NO.
A	RELEASE	Emily Suen	09/03/12*	
B				
C				



- MATERIAL :
 - 1-1. HOUSING : SEE TABLE A
 - 1-2. CONTACT : PHOSPHOR BRONZE
 - 1-3. GROUND : BRASS
 - 1-4. SHELL : SPCC
- FINISH :
 - 2-1. CONTACT : SILVER PLATING OVER NICKEL
 - 2-2. GROUND : NICKEL PLATED OVER ALL
 - 2-3. SHELL : TIN PLATED OVER ALL
- ELETRICAL SPECIFICATION :
 - 3-1. RATED CURRENT : PIN1 & PIN2 : 7.5A ,PIN3 : 1A
 - 3-2. RATED VOLTAGE : 20V/DC MAX
- ENVIRONMENTAL :
 - 4-1. OPERATION TEMPERATURE : -20 °C~85°C

TABLE A

PD-03F4-03	LCP
PD-03F4-02	PBT
P/N	MATERIAL

Recommend P.C.B Layout
(BOTTOM VIEW)

DRAW	Mark Kao	APPVL	Ku Chou	UNIT	mm	TOLERANCE			TITLE	PowerDin 3(F) 标准DIP 加 加 加			SHEET
CHECK	Emily Suen			SCALE	1:1					PART NO.	SEE TABLE A	DWG NO.	QC1202

广东科斯达电子科技有限公司
GUANG DONG KE SI DA ELECTRONIC TECHNOLOGY CO., LTD.