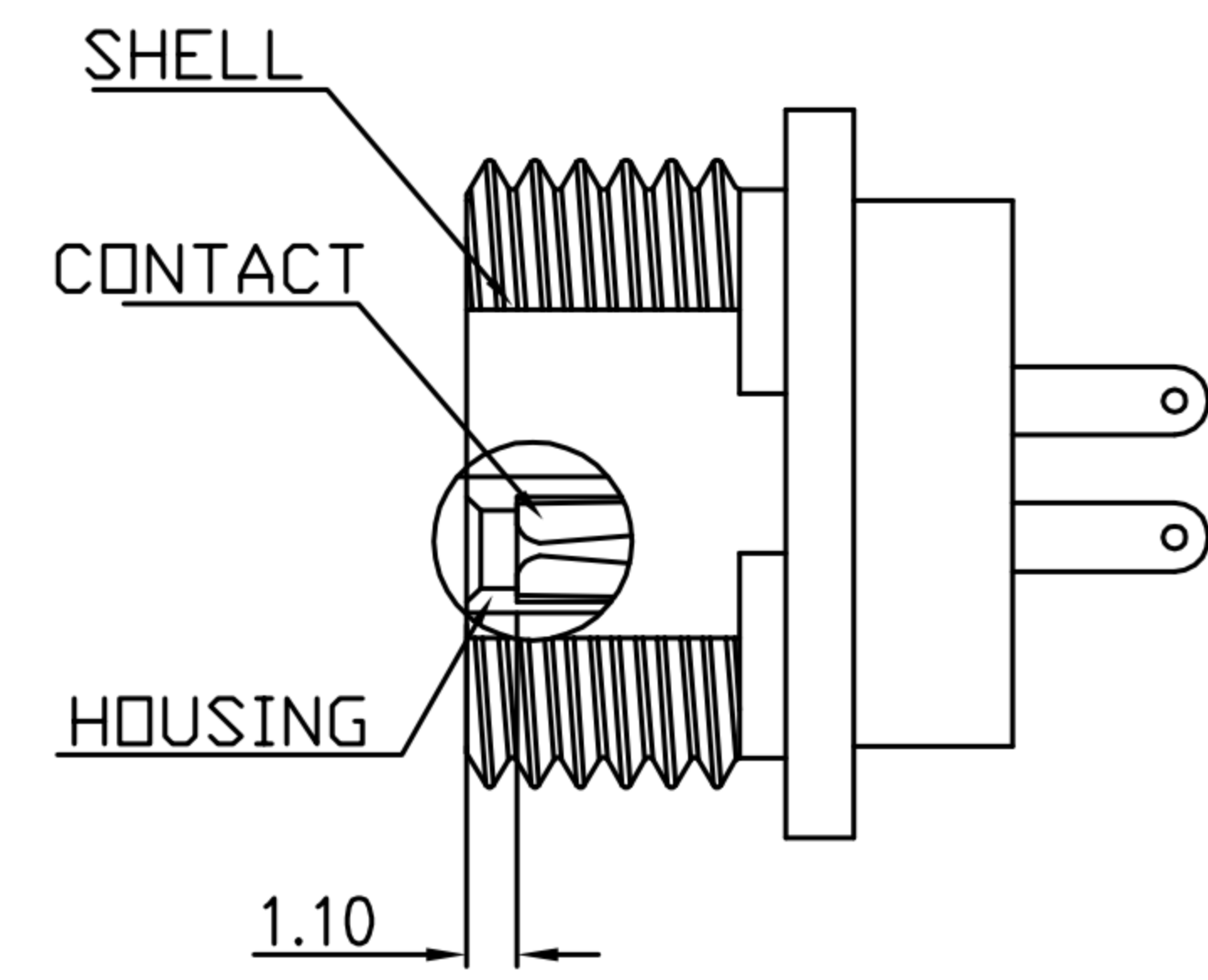
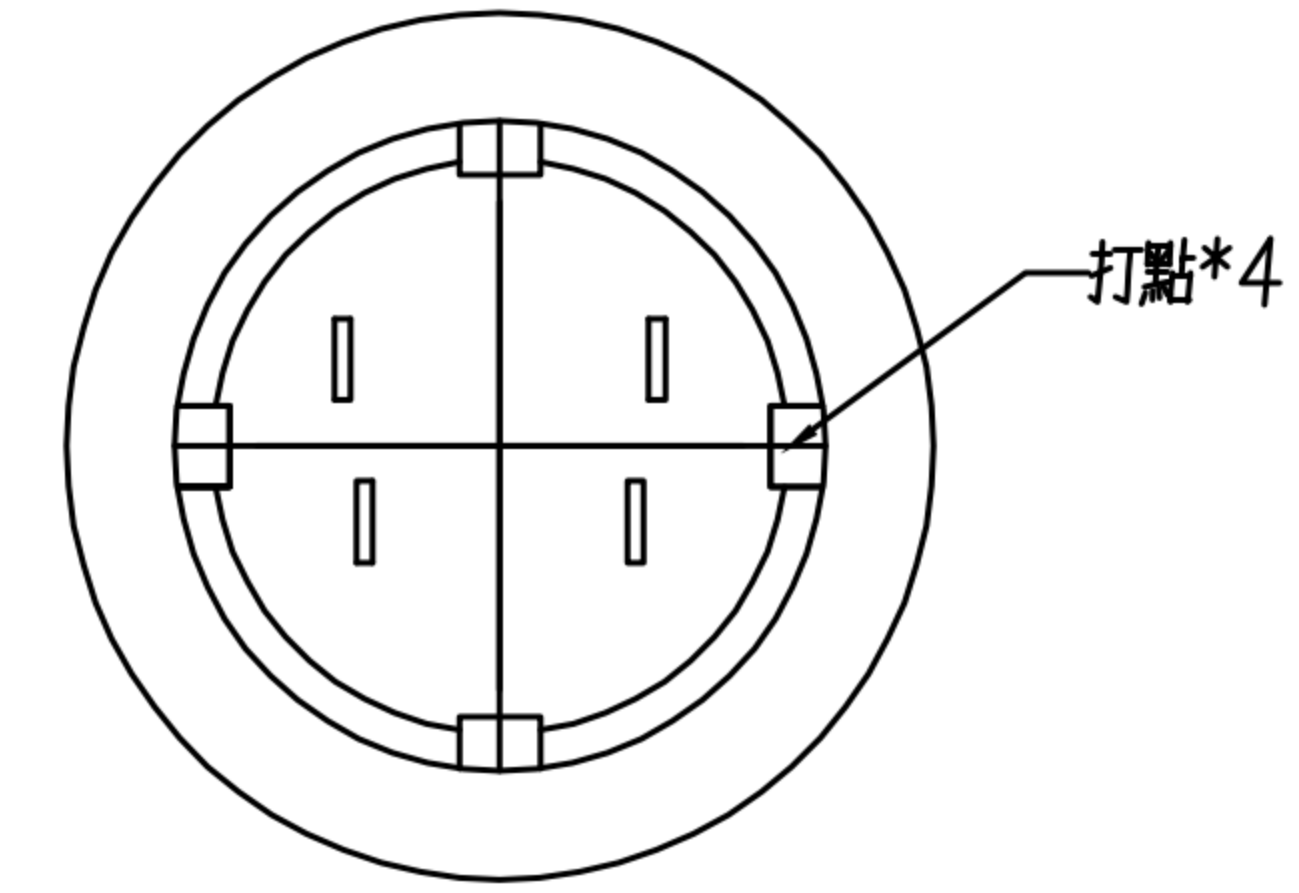
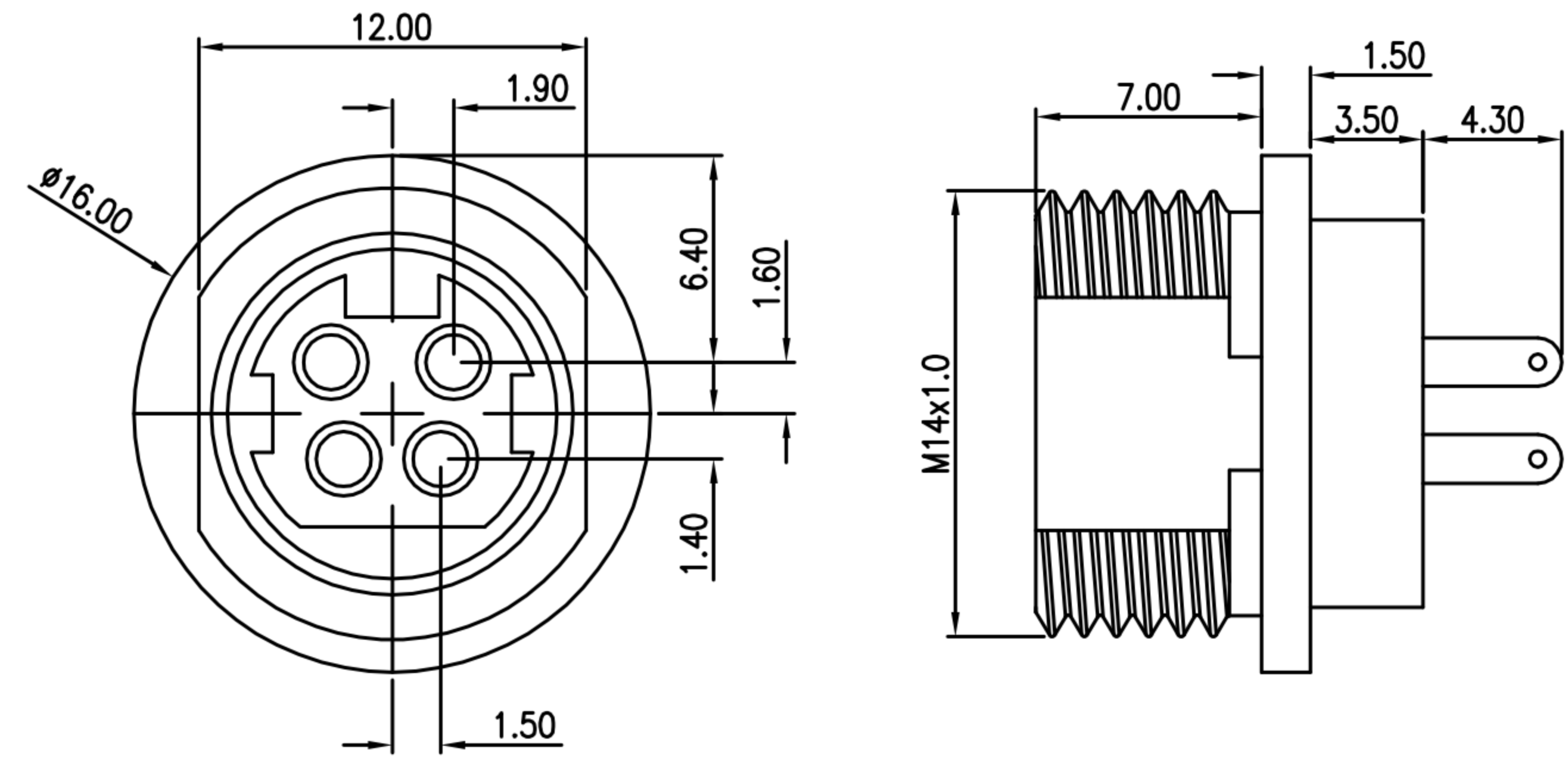


CUSTOMER DRAWING

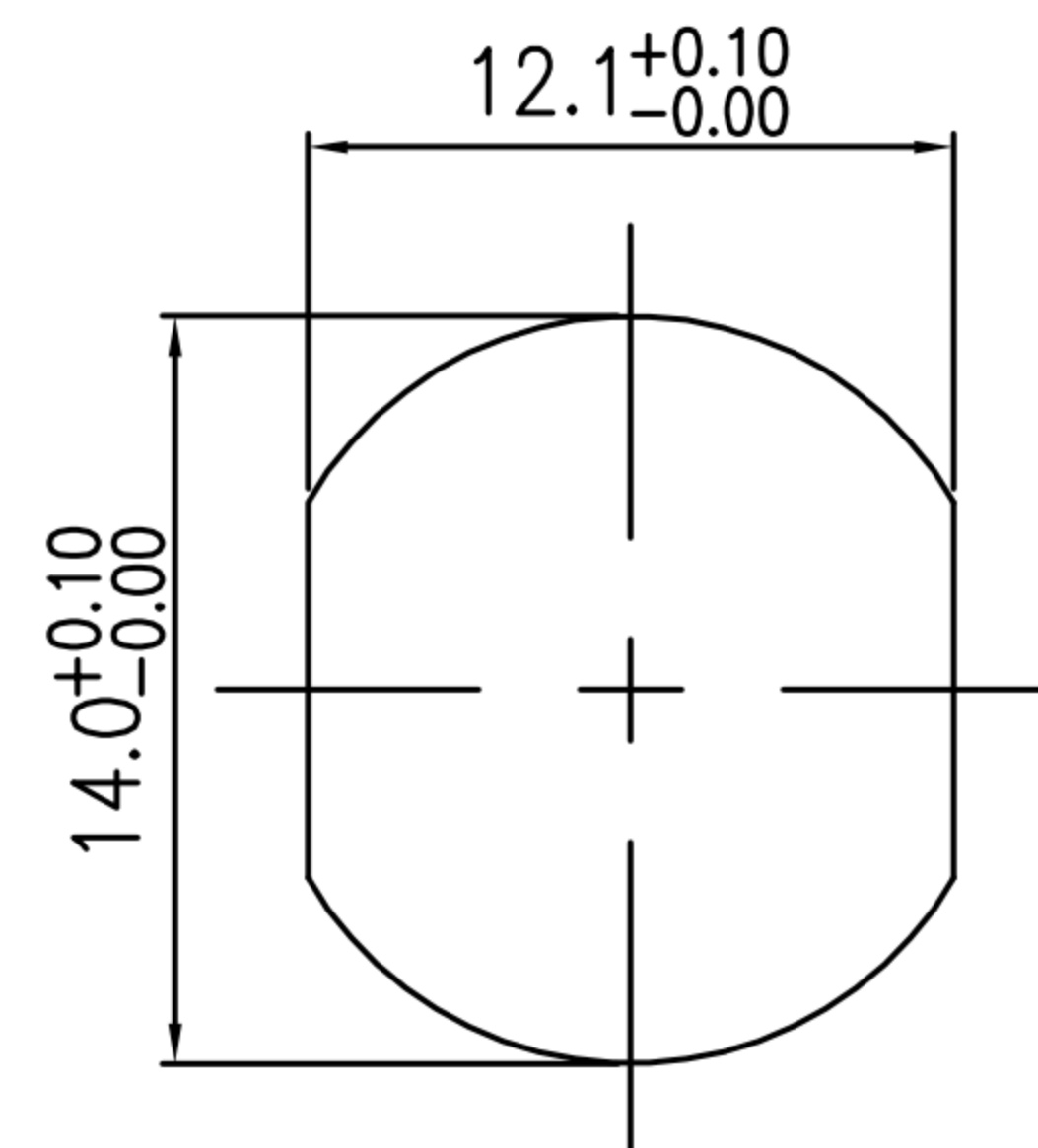
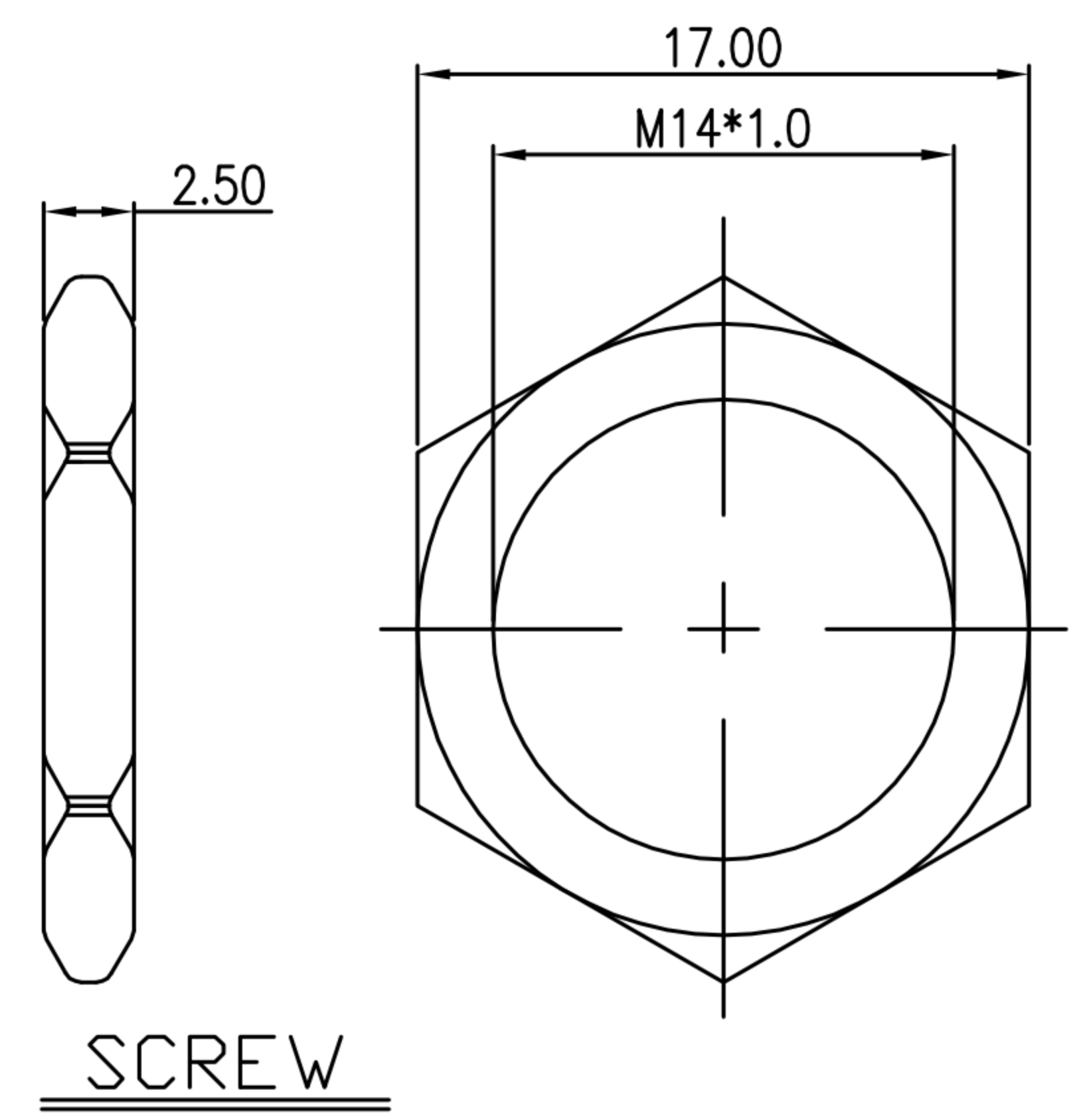
REV.	DESCRIPTION	APPVL. BY	DATE	ECN NO.
A	RELEASE	Fido Weng		
B				
C				

TABLE A

<p>3PIN</p>	<p>4PIN</p>
PD-03F2-13-11	PD-04F2-17-11



- MATERIAL :
  - 1-1. HOUSING : PBT UL94V-0 ; COLOR : BLACK
  - 1-2. CONTACT : PHOSPHOR BRONZE
  - 1-3. SHELL : BRASS
  - 1-4. SCREW : BRASS
- FINISH :
  - 2-1. CONTACT : TIN PLATING OVER NICKEL
  - 2-2. SHELL : NICKEL PLATED 60u" ~ 100u" OVER ALL
  - 2-3. SCREW : NICKEL PLATED 60u" ~ 100u" OVER ALL
- ELECTRICAL SPECIFICATION :
  - 3-1. RATED CURRENT : 3PIN 7.5A&1A(PIN3) ; 4PIN 7.5A
  - 3-2. RATED VOLTAGE : 20V/DC MAX
- ENVIRONMENTAL :
  - 4-1. OPERATION TEMPERATURE : -20 °C~85°C



RECOMMEND PANEL CUT-OUT

DRAW	KU	APPVL	Emily Suen	UNIT	mm	TOLERANCE		TITLE	POWER DIN (F) 板端前鎖			SHEET
CHECK	Emily Suen			SCALE	1:1	.x ±0.20 .xx ±0.10 .xxx ±0.05 .xxxx ±0.01 ANGULA ±1°		PART NO.	SEE TABLE A	DWG NO.	QC6544	VERSION A

