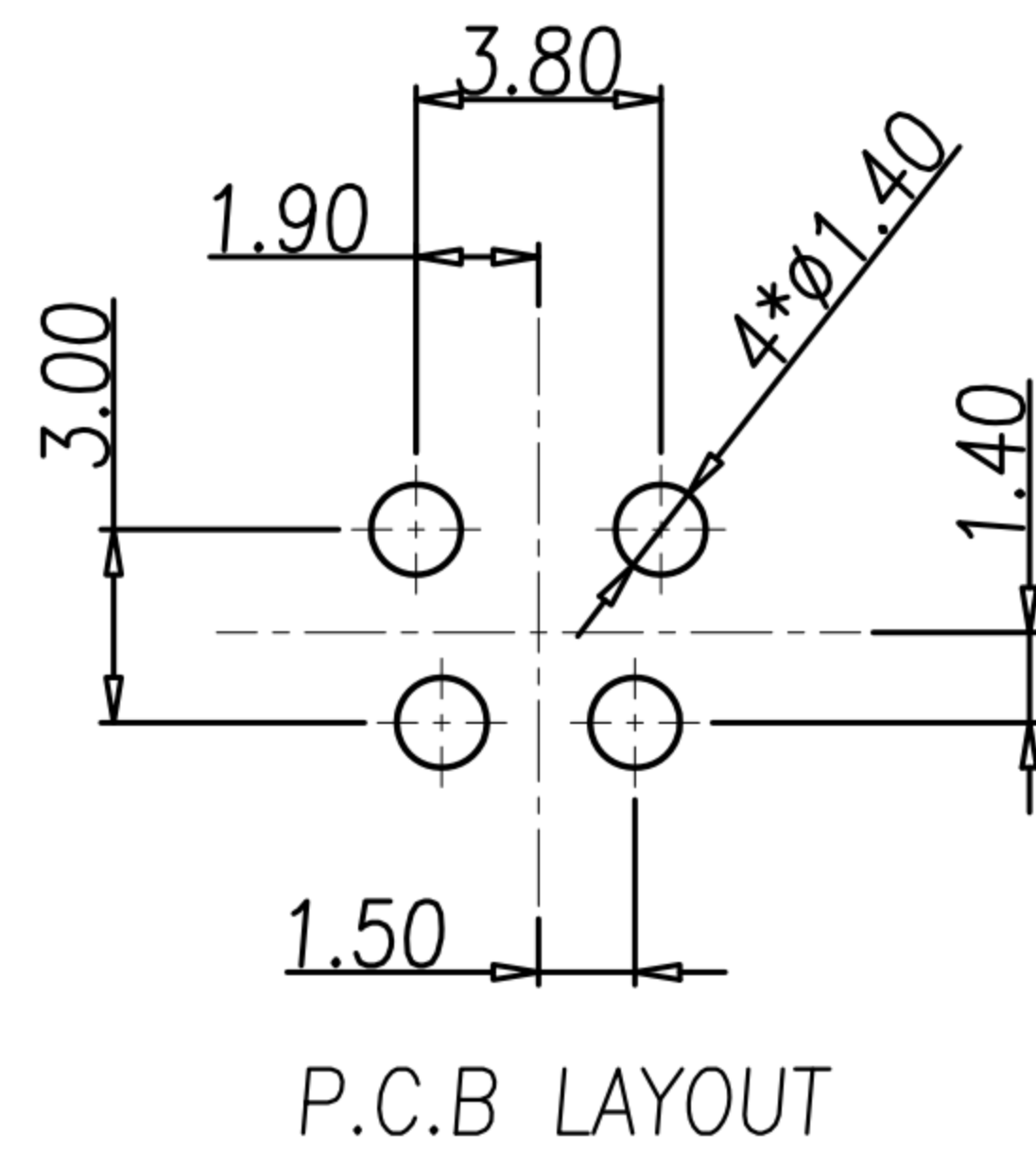
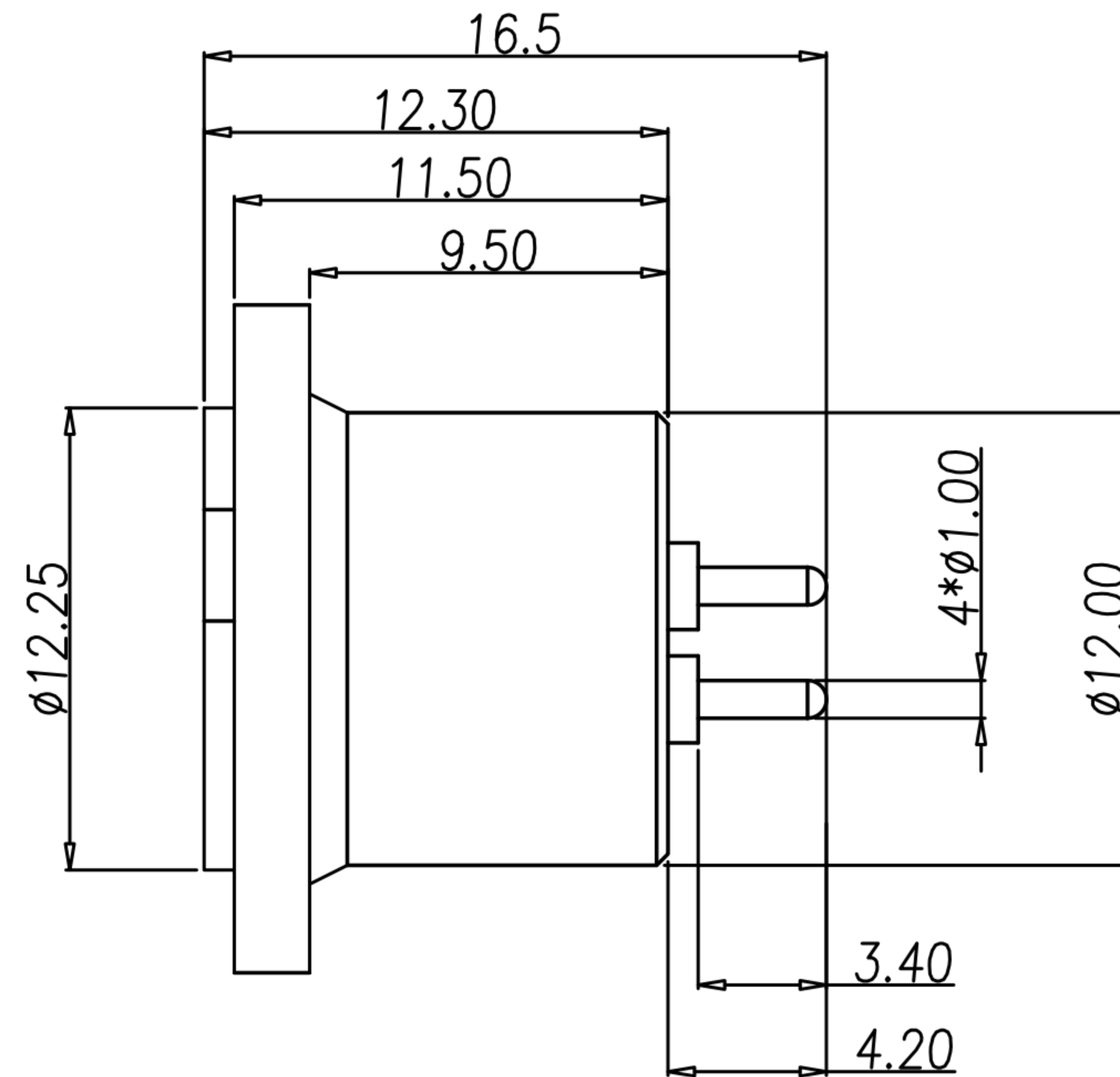
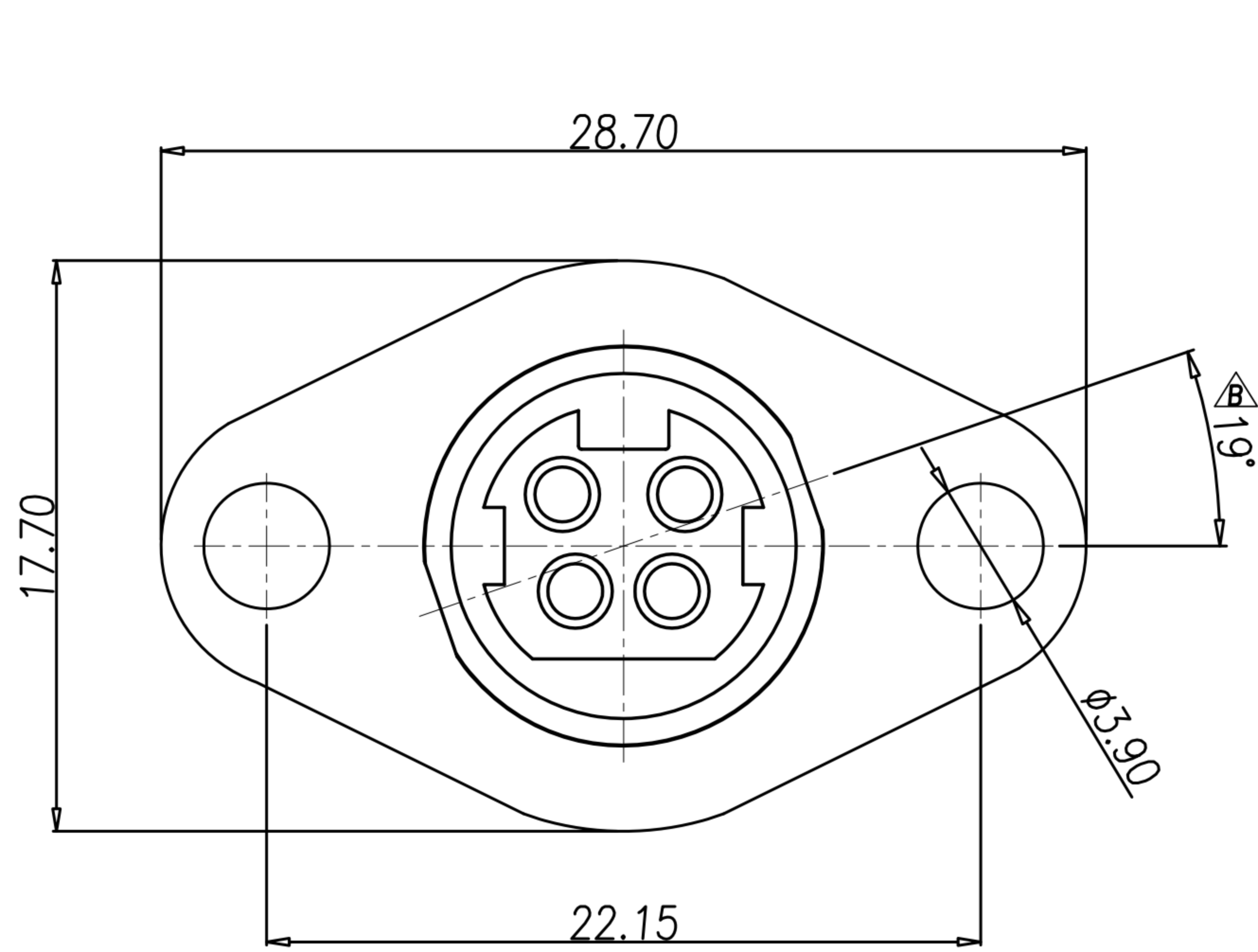


CUSTOMER DRAWING

REV.	DESCRIPTION	APPL. BY	DATE	ECN NO.
A	RELEASE	Fido Weng	16/11/17	
B	修正外觀	Ku Chou	20/07/18	
C				



NOTE:

1.MATERIAL:

- 1-1. HOUSING : PBT ; COLOR : BLACK
- 1-2. CONTACT : BRASS
- 1-3. SHELL : BRASS
- 1-4. WASHER : BRASS

2.FINISH:

- 2-1. CONTACT : GOLD FLASH PLATED OVER NICKEL
- 2-2. SHELL : NICKEL PLATED OVER ALL
- 2-3. WASHER : NICKEL PLATED OVER ALL

3.ELETRICAL SPECICATION :

- 3-1. Rated current : 7.5A
- 3-2. Rated voltage : 25V

4. Environmental :

- 4-1. Operation Temperature : -20℃~85℃

DRAW	Ku Chou	APP'D	Fido Weng	UNIT	mm	TOLERANCE		广东科斯达电子科技有限公司 GUANG DONG KE SI DA ELECTRONIC TECHNOLOGY CO., LTD.	TITLE	POWER DIN SOCKET 4PIN(F) DIP			SHEET	
CHECK	Emily Suen			SCALE	1:1	.x ±0.20 .xx ±0.15 .xxx ±0.10 .xxxx ±0.05 ANGULA ±1°			PART NO.	PD-04F3-01-11	DWG NO.	QC8106	VERSION	