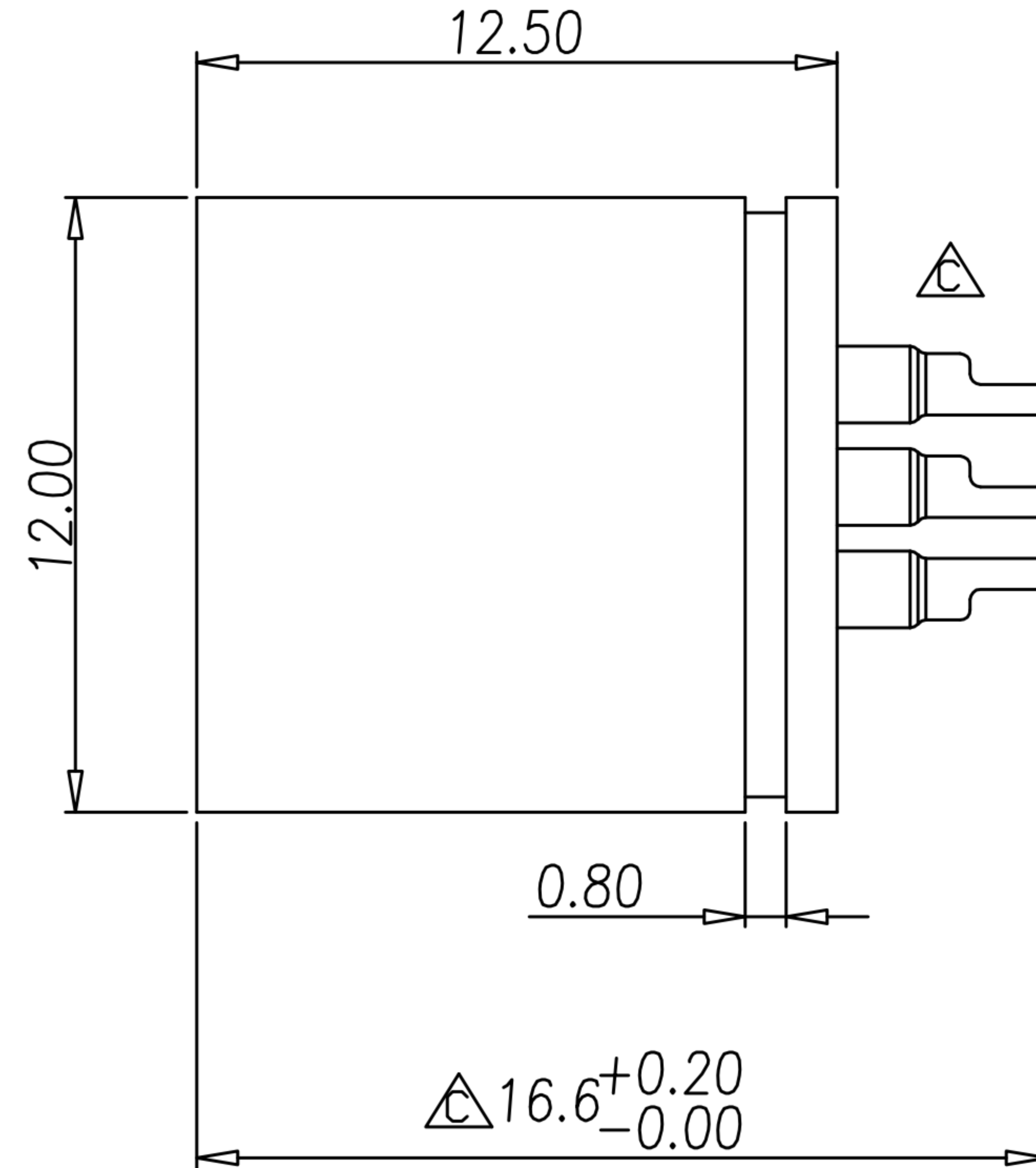
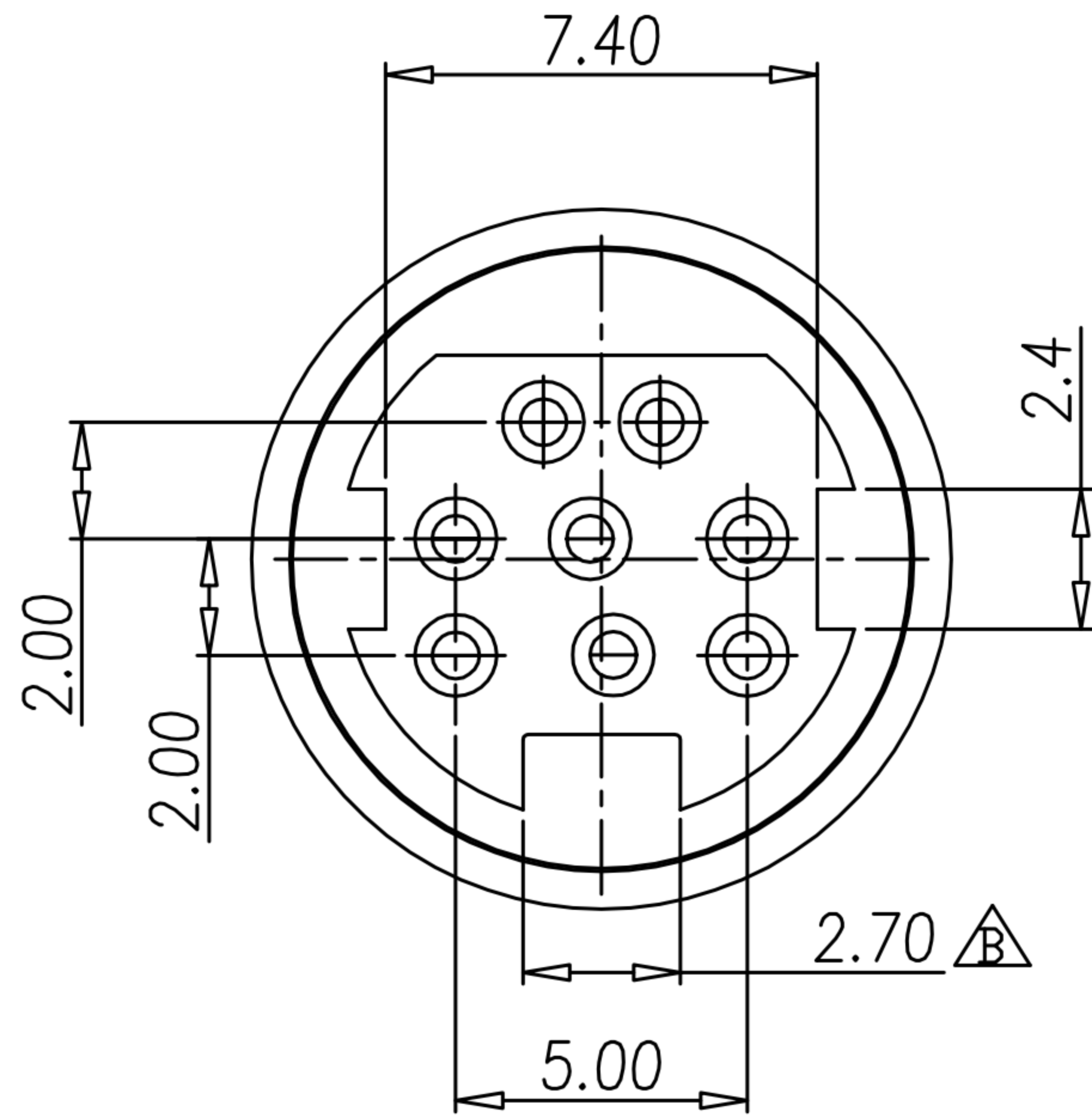


CUSTOMER DRAWING

REV.	DESCRIPTION	APPROVED BY	DATE	ECN NO.
△A	RELEASE	Fido Weng	20/04/09*	
△B	CHANGE DIM.	Fido Weng	15/05/09*	ECN09118
△C	CHANGE P/N及物料	Fido Weng	17/03/14*	



1. MATERIAL :
 - 1-1. HOUSING : PBT UL94V-0 ; COLOR : BLACK
 - 1-2. CONTACT : PHOSPHOR BRONZE
 - 1-3. SHELL : BRASS
2. FINISH :
 - 2-1. CONTACT
 - CONTACT AREA : GOLD FLASH PLATED
 - SOLDER AREA : MATTE-TIN PLATED
 - UNDER PLATE : NICKEL
 - 2-2. SHELL : NICKEL PLATED OVER ALL
3. ELECTRICAL SPECIFICATION :
 - 3-1. Rated current : 1A
 - 3-2. Rated voltage : 60V
4. Environmental :
 - 4-1. Operation Temperature : -40℃~85℃

DRAWN	Emily Suen	APP'D	Ku Chou	UNIT	mm	TOLERANCE			TITLE	POWER DIN 8PIN(F) PLUG			SHEET	1
CHK'D	Emily Suen			SCALE	1:1	PART NO.			PD-08F2-01	DWG NO.	QC2056	VERSION	C	