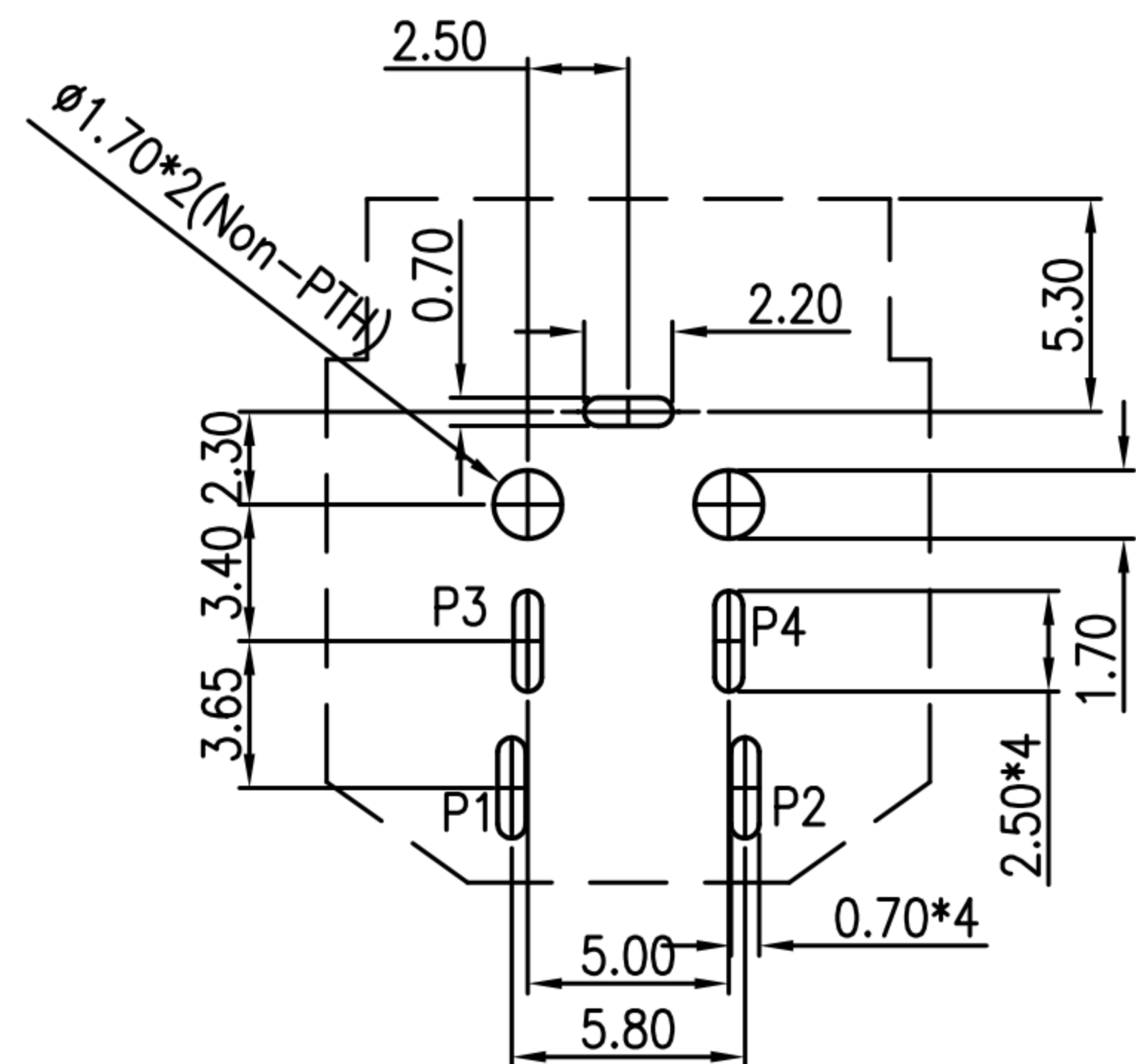
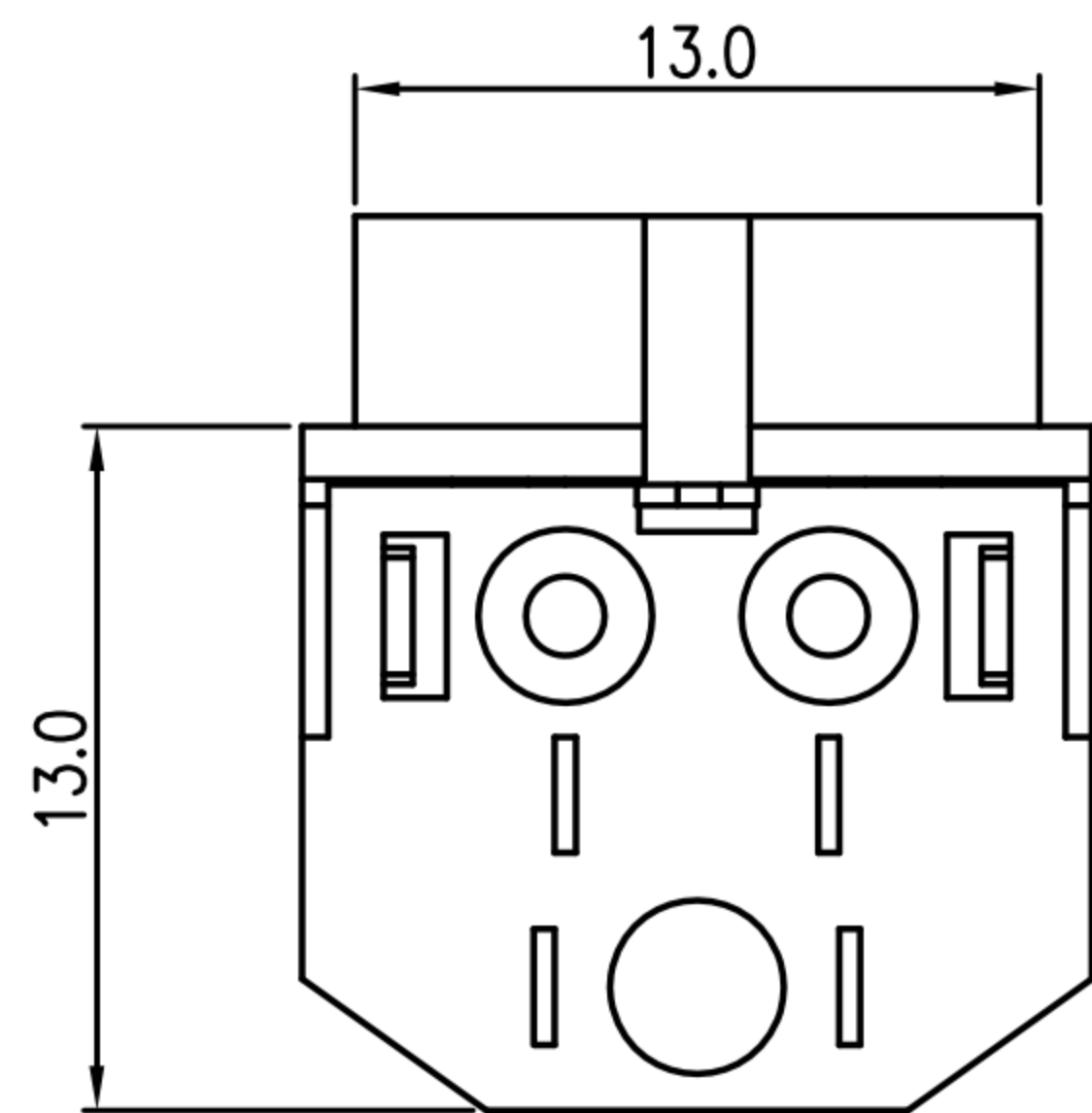
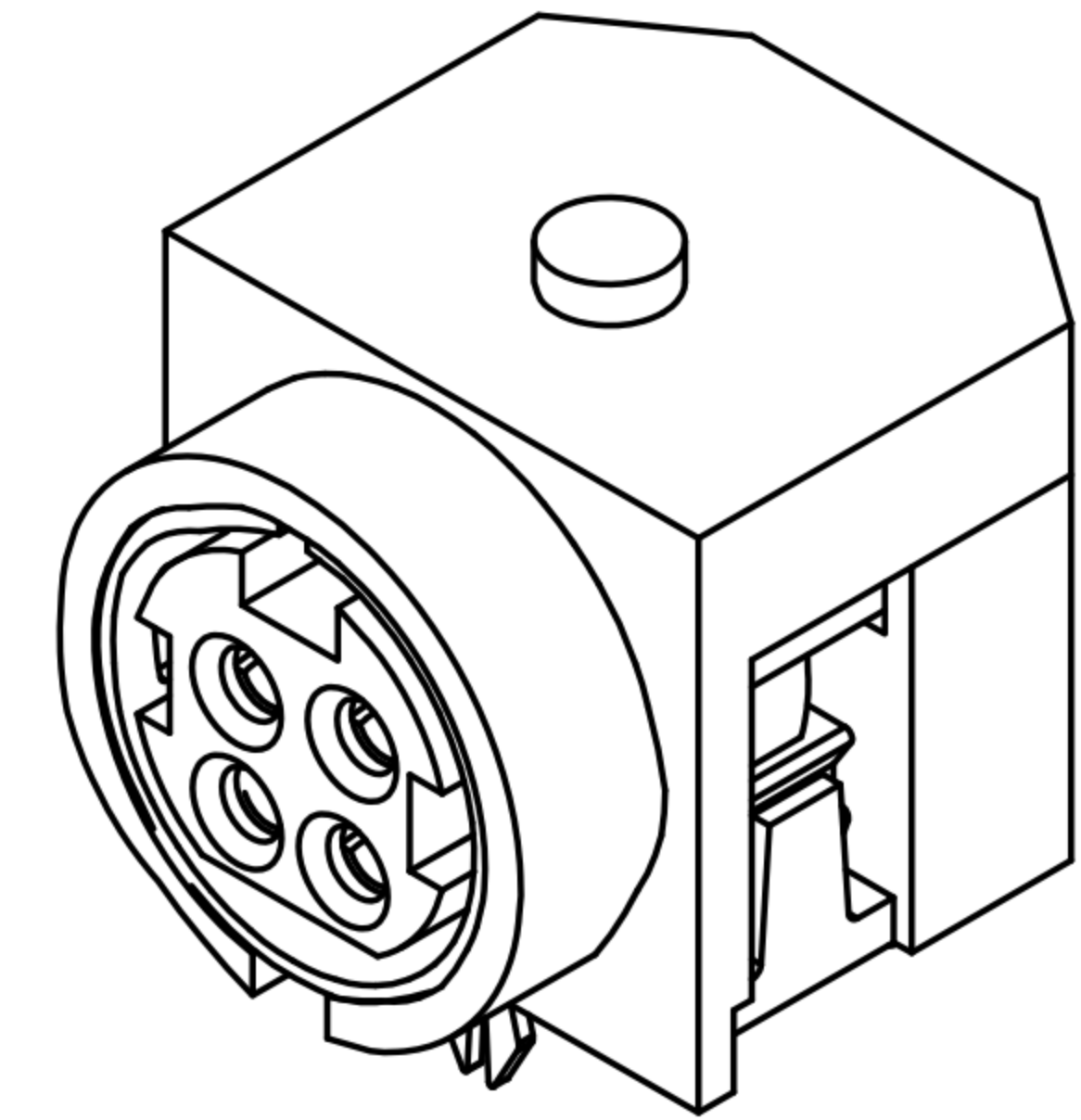
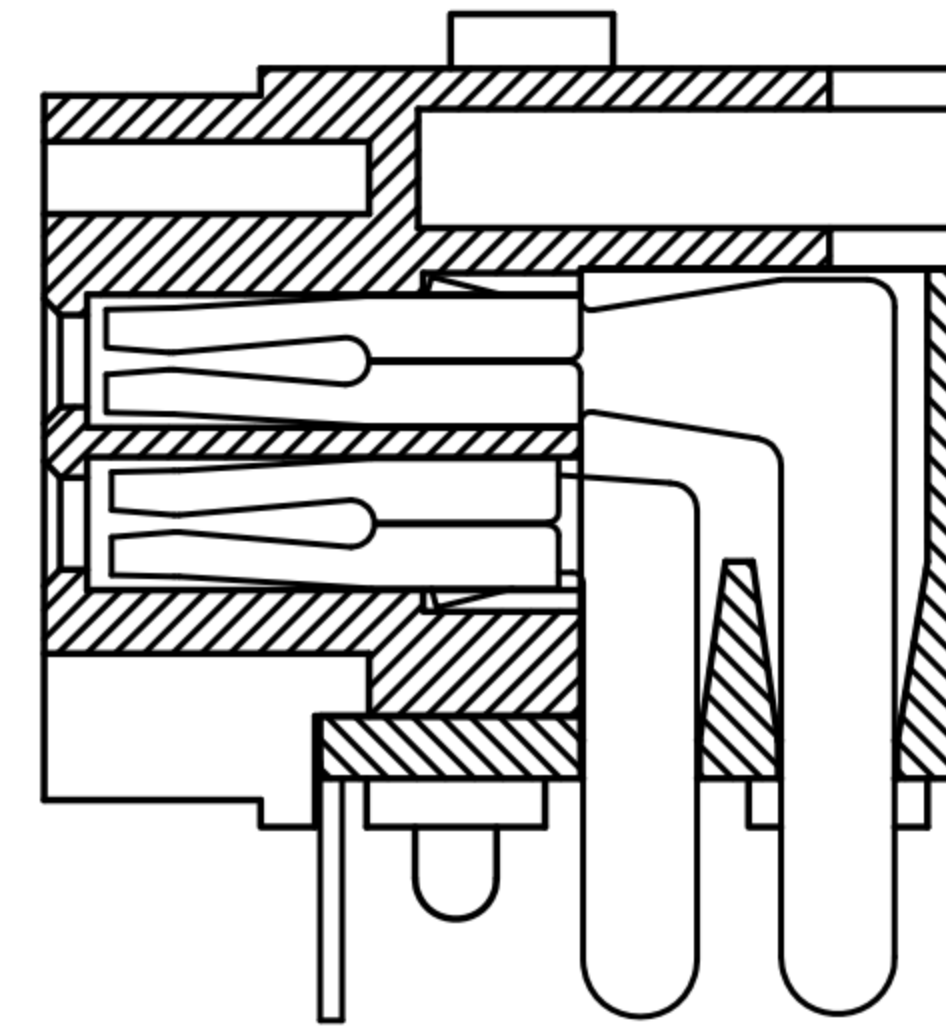
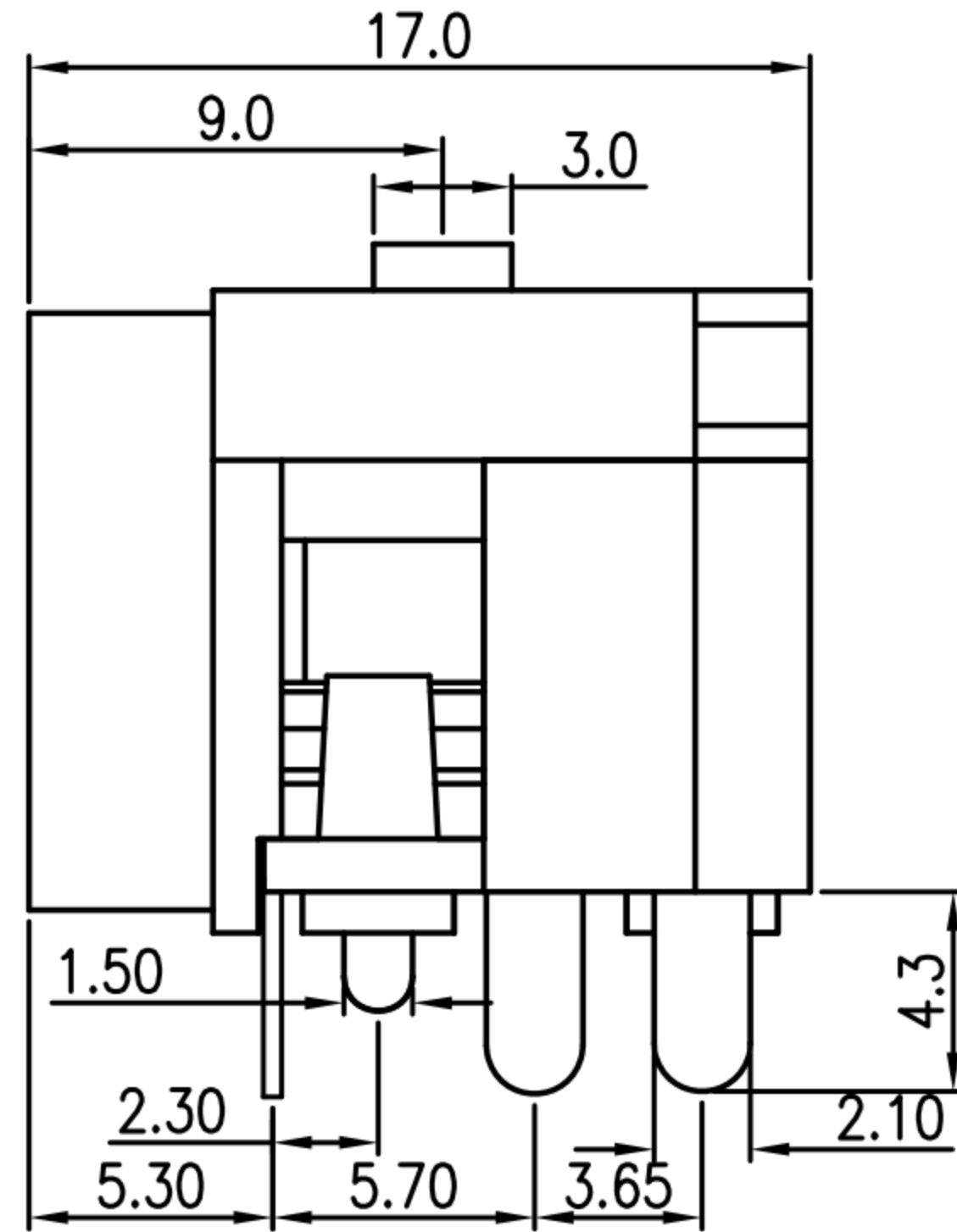
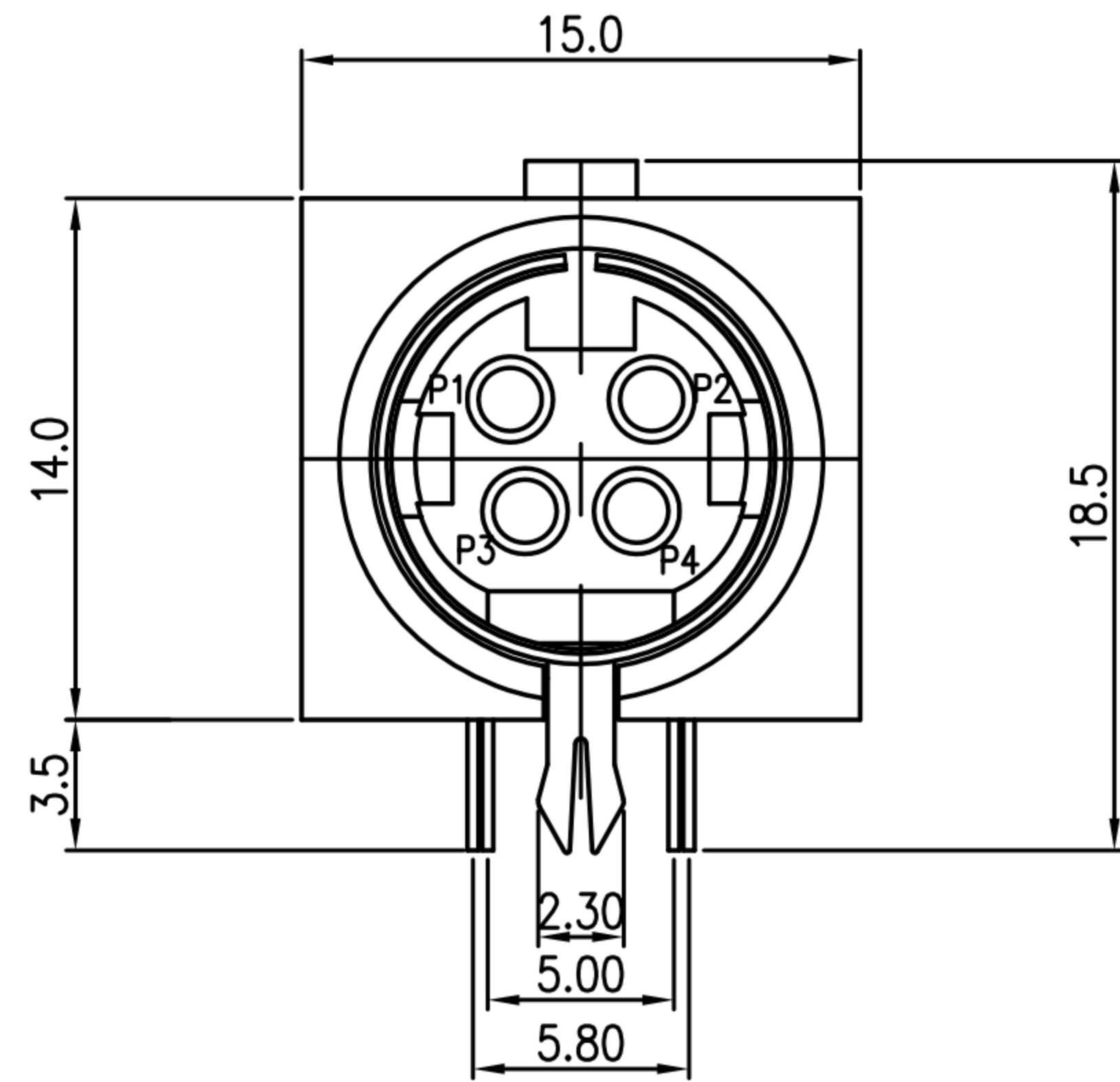


CUSTOMER DRAWING

REV.	DESCRIPTION	APPL. BY	DATE	ECN NO.
A	RELEASE	FIDO WENG	30/03/09	S-09018
B	新增材質	FIDO WENG	28/04/09	ECN09074
C				



HOLE LAYOUT(BOTTOM VIEW)

TABLE A

P/N	DESCRIPTION	MATERIAL
PD-04F2-13	PowerDin 4(F)板端DIP無鍍殼	LCP
PD-04F2-08	PowerDin 4(F)板端DIP無鍍殼	PBT

- MATERIAL :
 - HOUSING : SEE TABLE A
 - CONTACT : PHOSPHOR BRONZE
 - GROUND : BRASS
- FINISH :
 - CONTACT : SILVER PLATING OVER NICKEL
 - GROUND : NICKEL PLATED OVER ALL
- ELECTRICAL SPECIFICATION :
 - RATED CURRENT : 7.5A/DC MAX
 - RATED VOLTAGE : 20V/DC MAX
- ENVIRONMENTAL :
 - OPERATION TEMPERATURE : $-20^{\circ}\text{C} \sim 85^{\circ}\text{C}$

DRAWN	賴鴻志	APP'D	Emily Suen	UNIT	mm	TOLERANCE			TITLE	PowerDin 4(F)板端DIP無鍍殼			SHEET
CHK'D	Emily Suen			SCALE	1:1				PART NO.	SEE TABLE A	DWG NO.	QC1158	VERSION