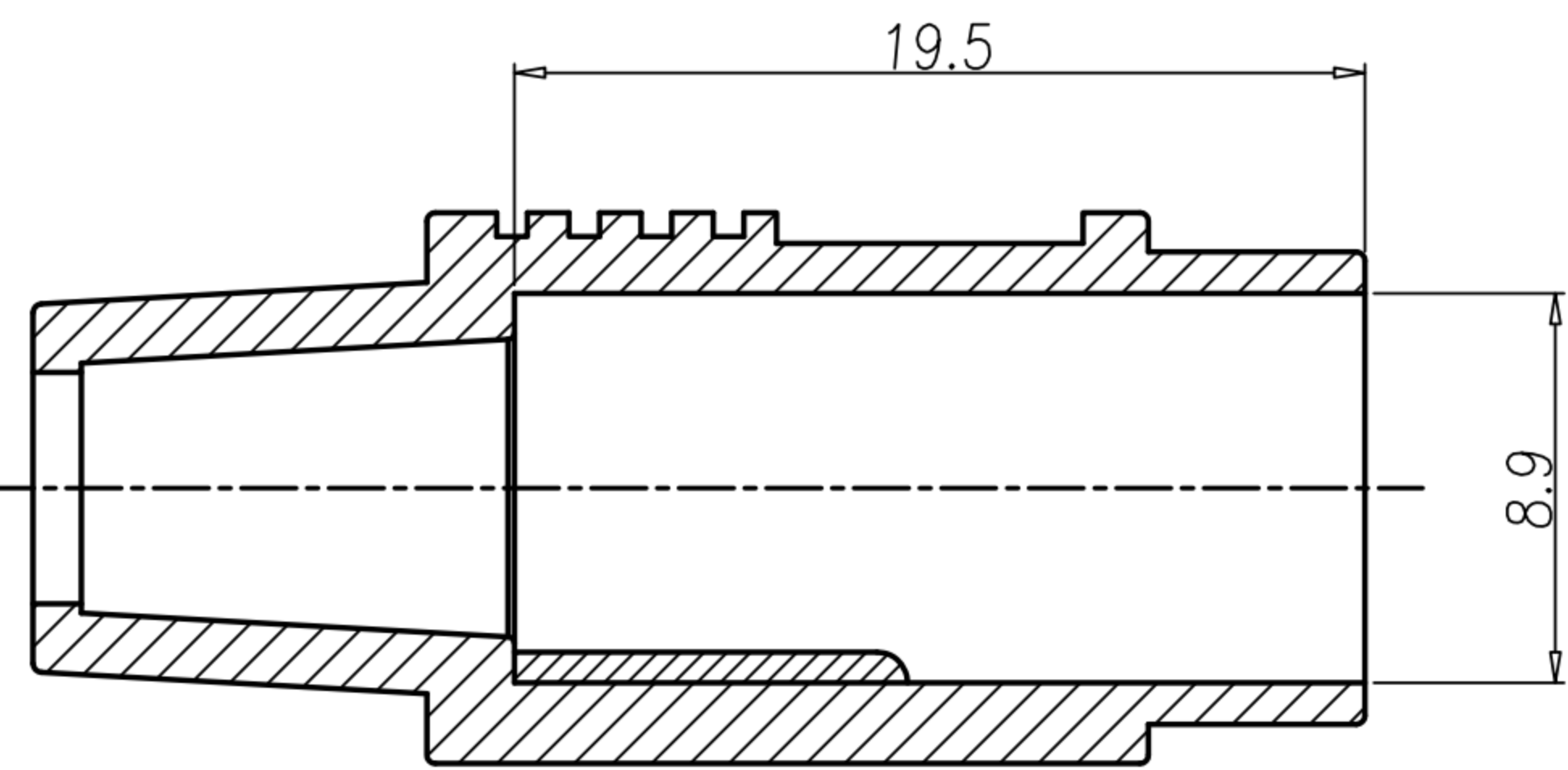
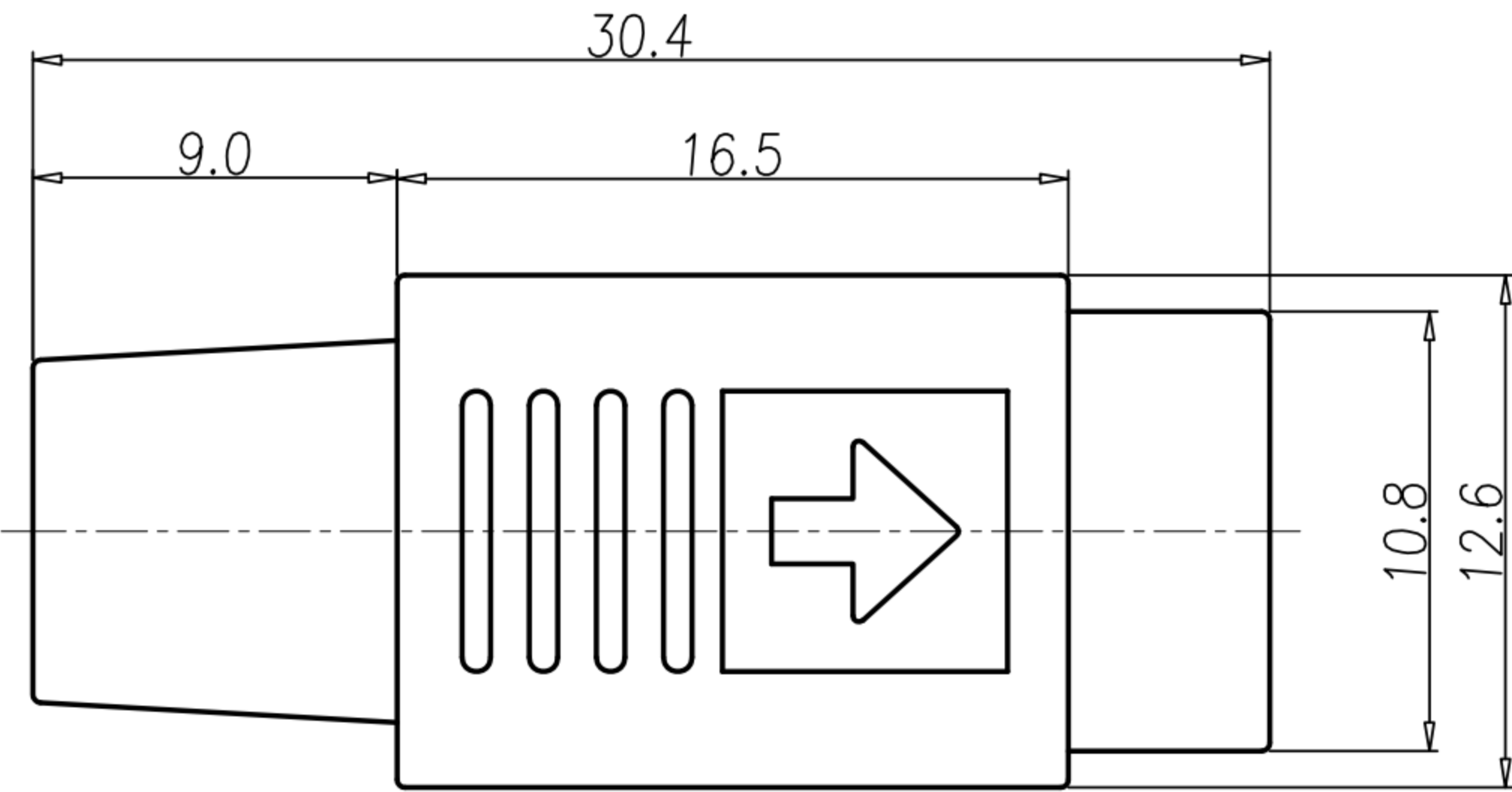


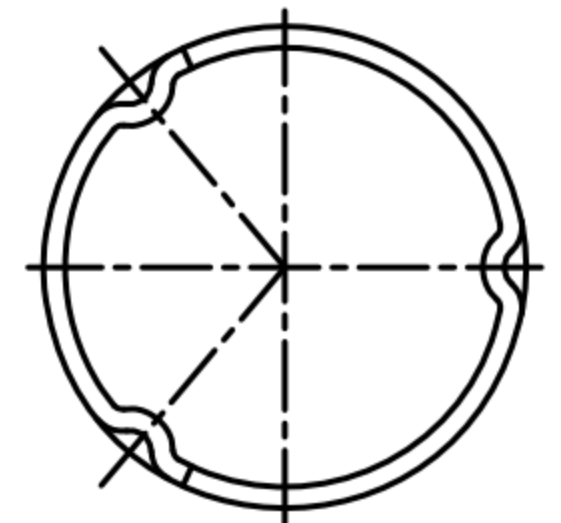
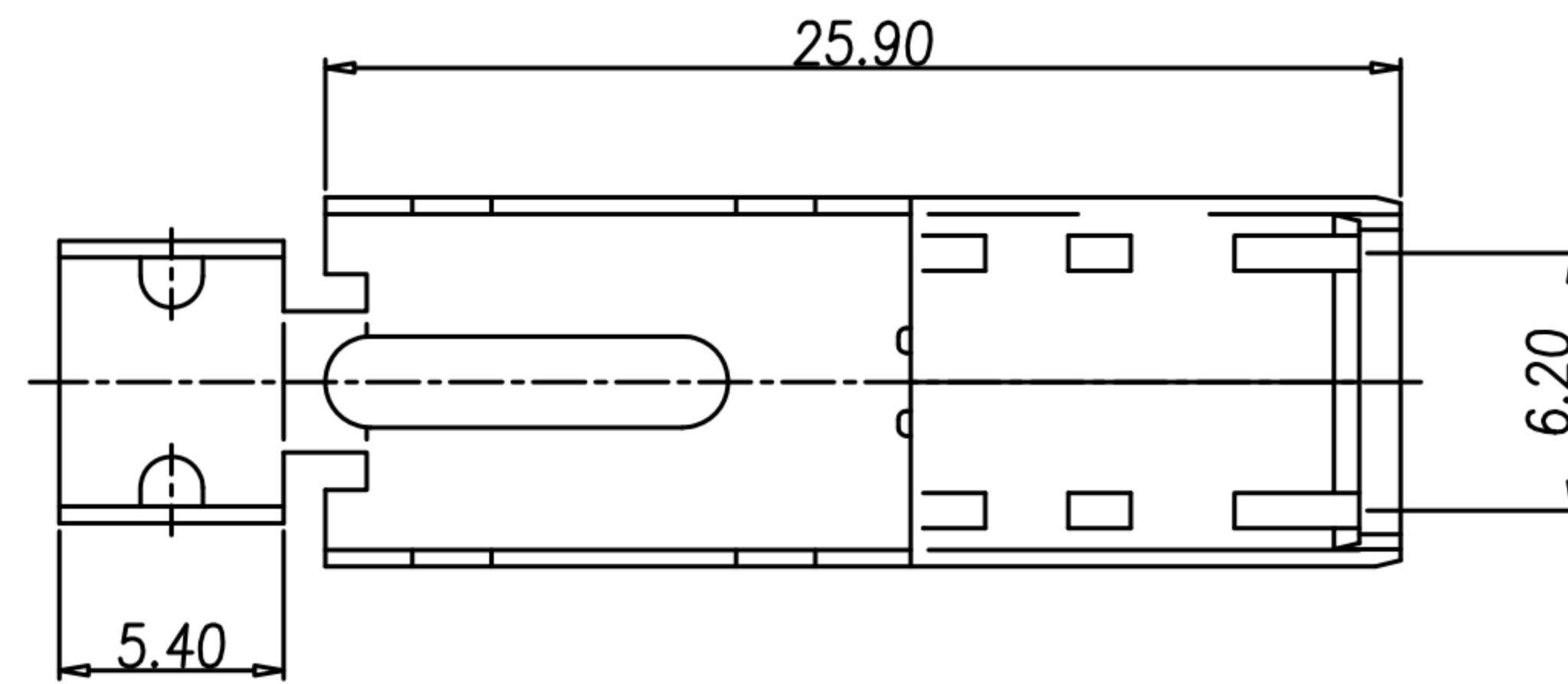
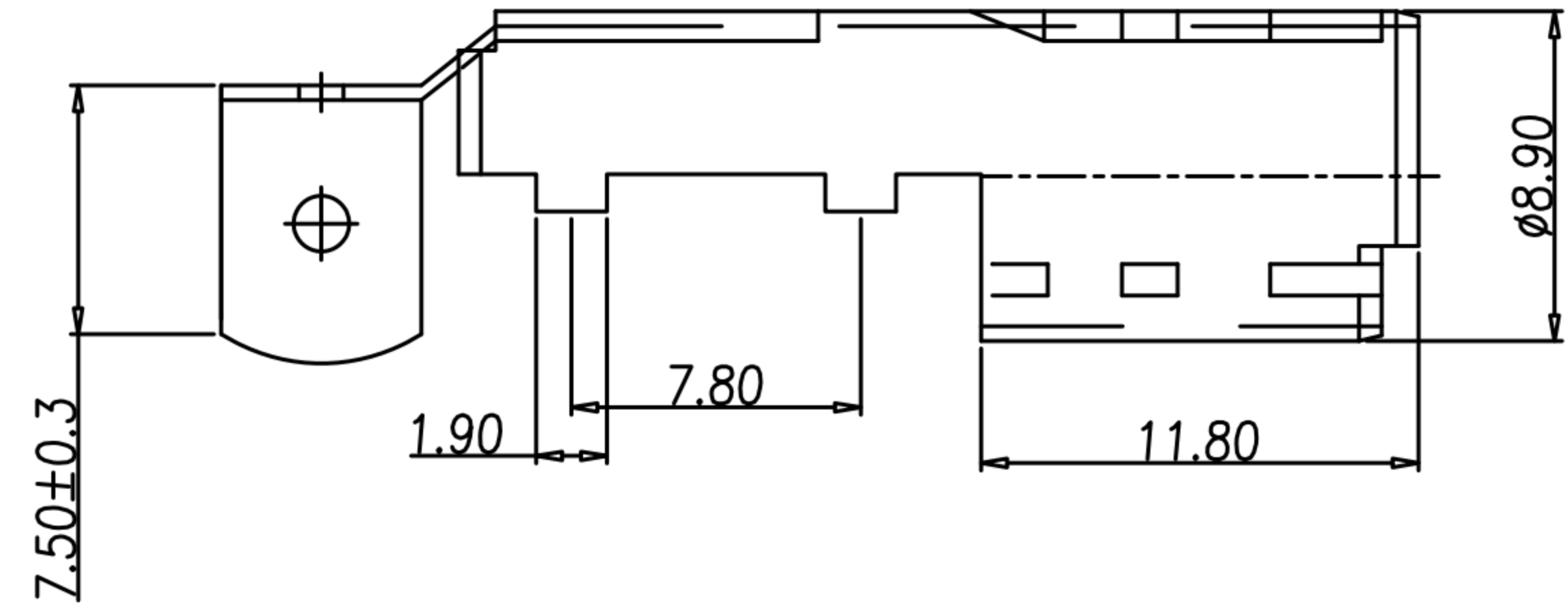
CUSTOMER DRAWING

REV.	DESCRIPTION	APPROVED BY	DATE	ECN NO.
△C	Add P/N	Fido Weng	20/12/10"	ECN10145
△D	Add P/N	Emily Suen	02/03/11"	
△E	更改材質	Fido Weng	11/04/13"	ECN13005

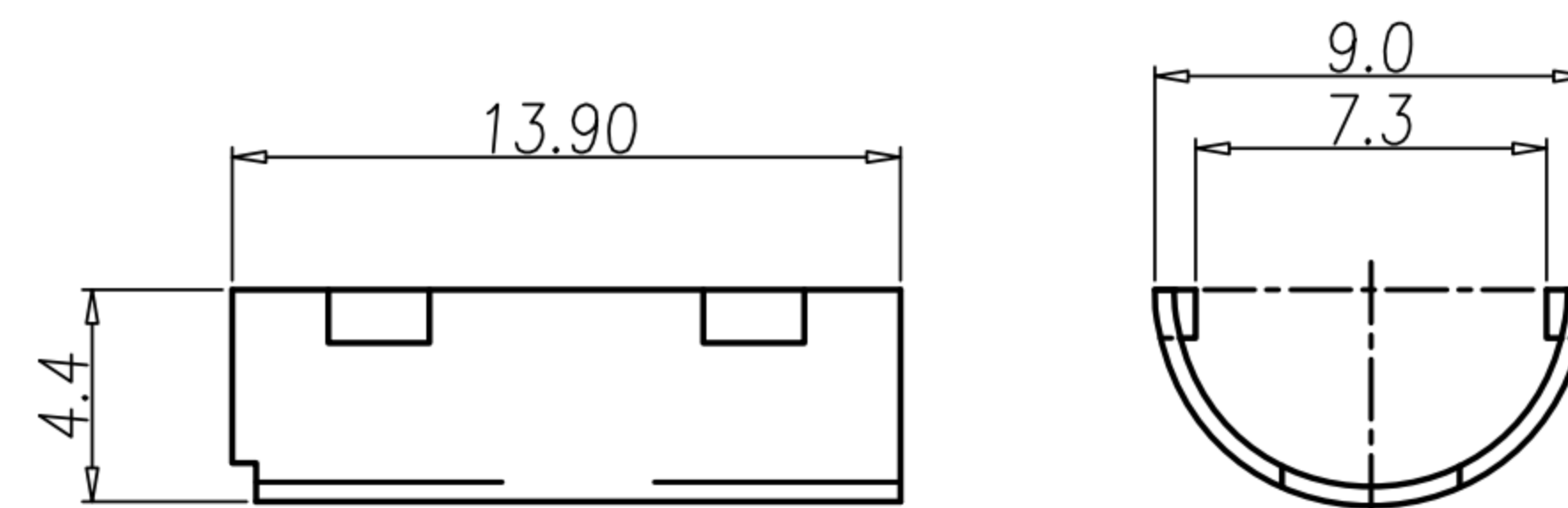
1-3. PLASTIC COVER



1-4. SHELL



1-5. CAP



NOTE :

MATERIAL :

- 1-1. HOUSING : PBT
- 1-2. CONTACT : BRASS
- △E 1-3. PLASTIC COVER : TPU
- 1-4. SHELL : BRASS
- 1-5. CAP : BRASS

2. FINISH :

- 2-1. CONTACT : SEE TABLE A
- 2-2. SHELL : NICKEL 60u" PLATED
- 2-3. CAP : NICKEL 60u" PLATED

DRAWN	Jen Xie	APP'D	Emily Suen	UNIT	mm	TOLERANCE		广东科斯达电子科技有限公司 GUANG DONG KE SI DA ELECTRONIC TECHNOLOGY CO., LTD.	TITLE	SEE TABLE A				SHEET	2/2
CHK'D	Emily Suen			SCALE	1:1	.x ±0.20 .xx ±0.10 .xxx ±0.05 .xxxx ±0.03 ANGULA ±1°			PART NO.	SEE TABLE A	DWG NO.	QC2975	VERSION	E	

CUSTOMER DRAWING

REV.	DESCRIPTION	APPROVED BY	DATE	ECN NO.
△C	Add P/N	Fido Weng	20/12/10"	ECN10145
△D	Add P/N	Emily Suen	02/03/11"	
△E	更改材質	Fido Weng	11/04/13"	ECN13005

1. MATERIAL :
 - 1-1. HOUSING : PBT
 - 1-2. CONTACT : BRASS
 - 1-3. PLASTIC COVER : TPU
 - 1-4. SHELL : BRASS
 - 1-5. CAP : BRASS
2. FINISH :
 - 2-1. CONTACT : SEE TABLE A
 - 2-2. SHELL : NICKEL 60u" PLATED
 - 2-3. CAP : NICKEL 60u" PLATED
3. ELECTRICAL SPECIFICATION :
 - 3-1. Rated current : 2A
 - 3-2. Rated Voltage : 12V
 - 3-3. Insulation Resistance : 50mOhm at 250v
 - 3-4. Dielectric strength : 250AC 1minute
4. Environmental :
 - 4-1. Operation Temperature : -20℃~85℃

1-1&1-2 HOUSING+PIN

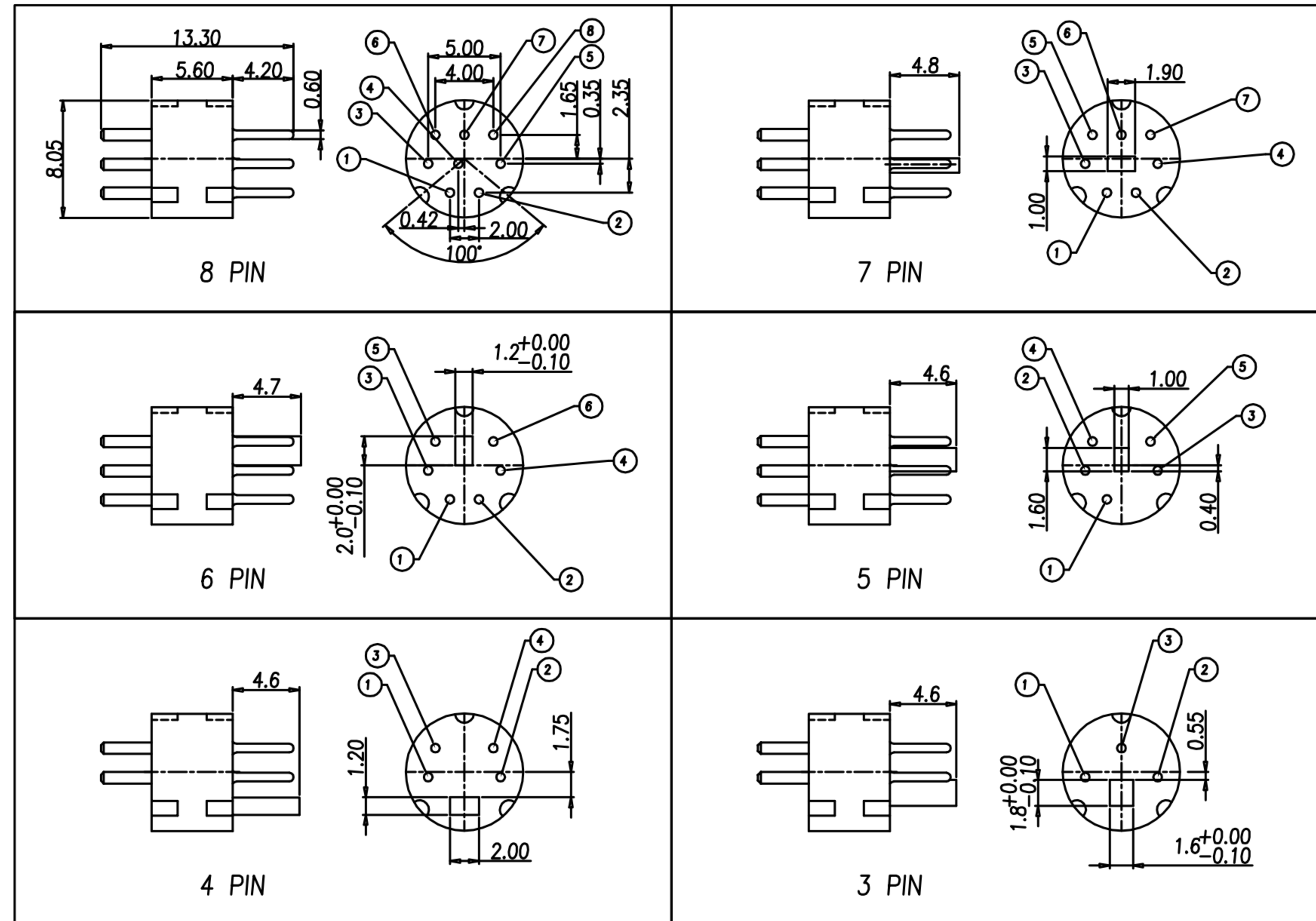


TABLE A

MD-08M2-34	MINI DIN 8PIN(M) D型(灰色)	SILVER
MD-08M2-32	MINI DIN 8PIN(M) D型(貝吉色)	SILVER
MD-08M2-23	MINI DIN 8PIN(M) D型(黑色)	SILVER
MD-07M2-14	MINI DIN 7PIN(M) D型(黑色)	SILVER
MD-06M2-73-11	MINI DIN 6PIN(M) D型(灰色)	GOLD FLASH
MD-06M2-69	MINI DIN 6PIN(M) D型(貝吉色)	SILVER
MD-06M2-62	MINI DIN 6PIN(M) D型(灰色)	SILVER
MD-06M2-60	MINI DIN 6PIN(M) D型(黑色)	SILVER
MD-05M2-17-11	MINI DIN 5PIN(M) D型(灰色)	GOLD FLASH
MD-05M2-15	MINI DIN 5PIN(M) D型(灰色)	SILVER
MD-05M2-14	MINI DIN 5PIN(M) D型(貝吉色)	SILVER
MD-05M2-12	MINI DIN 5PIN(M) D型(黑色)	SILVER
MD-04M2-23-11	MINI DIN 4PIN(M) D型(灰色)	GOLD FLASH
MD-04M2-20	MINI DIN 4PIN(M) D型(黑色)	SILVER
MD-03M2-12-11	MINI DIN 3PIN(M) D型(灰色)	GOLD FLASH
MD-03M2-11	MINI DIN 3PIN(M) D型(灰色)	SILVER
MD-03M2-10	MINI DIN 3PIN(M) D型(貝吉色)	SILVER
MD-03M2-07	MINI DIN 3PIN(M) D型(黑色)	SILVER
P/N	DESCRIPTION	PLATED

DRAWN	Jen Xie	APP'D	Emily Suen	UNIT	mm	TOLERANCE				TITLE	SEE TABLE A			SHEET	
CHK'D	Emily Suen			SCALE	1:1	ANGULA ±1°				PART NO.	SEE TABLE A	DWG NO.	QC2975	VERSION	