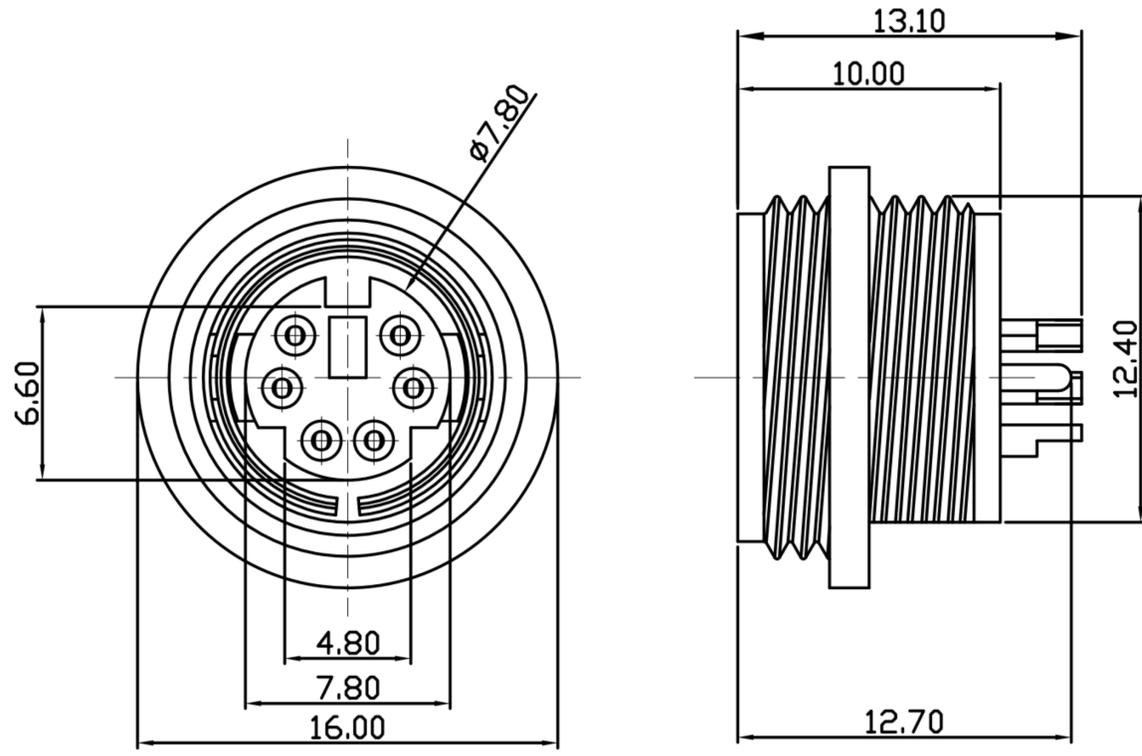


CUSTOMER DRAWING

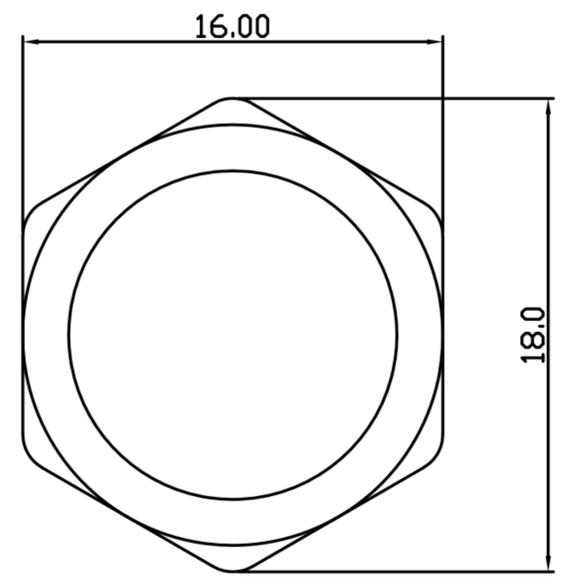
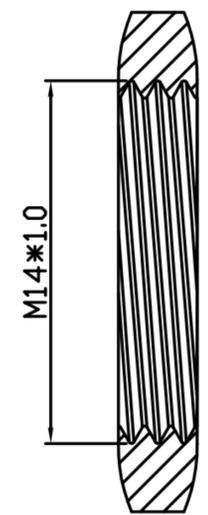
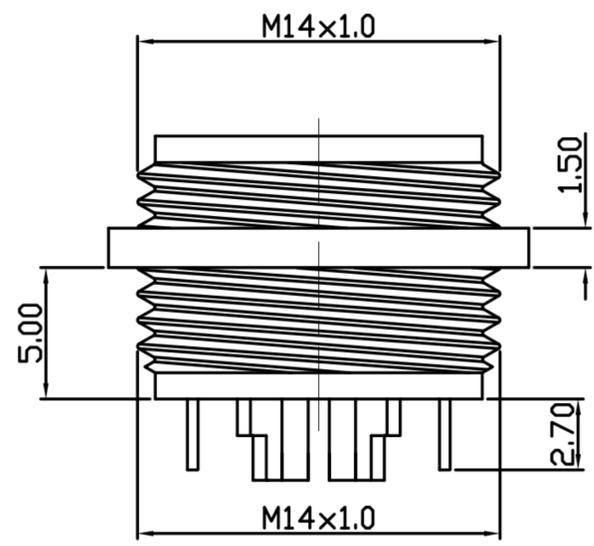
REV.	DESCRIPTION	APPROVED BY	DATE	ECN NO.
A	RELEASE	Fido Weng	22/12/08'	
B				
C				



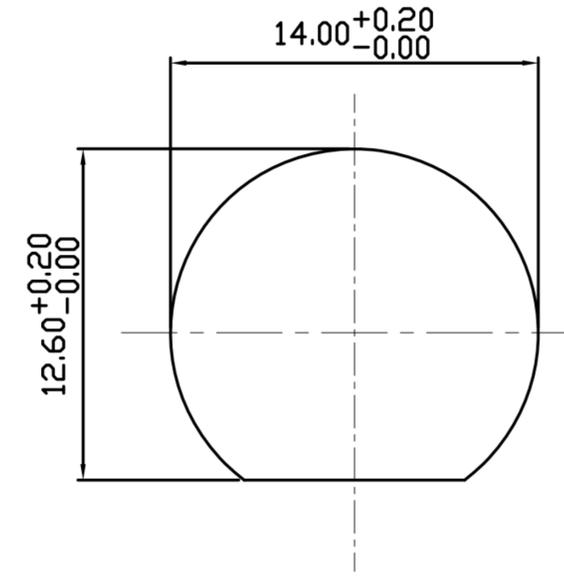
- MATERIAL :
 - 1-1. HOUSING : PBT UL94V-0 ; COLOR : BLACK
 - 1-2. CONTACT : PHOSPHOR BRONZE
 - 1-3. SHELL : BRASS
 - 1-4. NUT : PBT
- FINISH :
 - 2-1. CONTACT : SILVER 30u" ON OVER ALL
UNDER PLATE : NICKEL
 - 2-2. SHELL : NICKEL PLATED 60u" ~ 100u" OVER ALL

TABLE A

MD-04F2-14-11	MD-06F3-09	MD-08F2-02-11



NUT



PANEL CUT-OUT

DRAWN	Yeh Chou	APP'D	Ku Chou	UNIT	mm	TOLERANCE		广东科斯达电子科技有限公司 GUANG DONG KE SI DA ELECTRONIC TECHNOLOGY CO., LTD.	TITLE	MiniDin 6(F) SOCKET SCREW TYPE			SHEET	
CHK'D	Emily Suen			SCALE	1:1	.x ±0.20 .xx ±0.10 .xxx ±0.05 .xxxx ±0.03 ANGULA ±1°			PART NO.	SEE TABLE A	DWG NO.	QC5497	VERSION	